

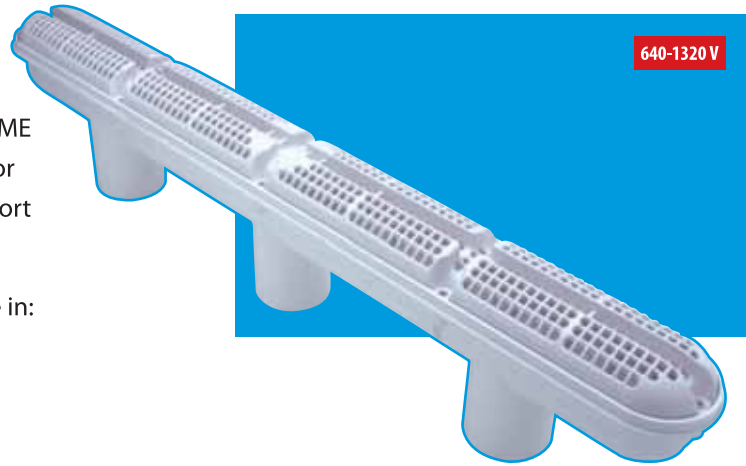


**Concrete Ultra Strip Drain**

Waterway Concrete Ultra Strip Drains are compliant with the Virginia Graeme-Baker Pool and Spa Safety Act (ASME A112.19.8-2007 and ASME A112.19.8a-2008) and are NSF Certified. They are designed for single or multiple drain use. This strip drain assembly includes grate, plugs, 3-port sump, cover, and stainless steel screws.

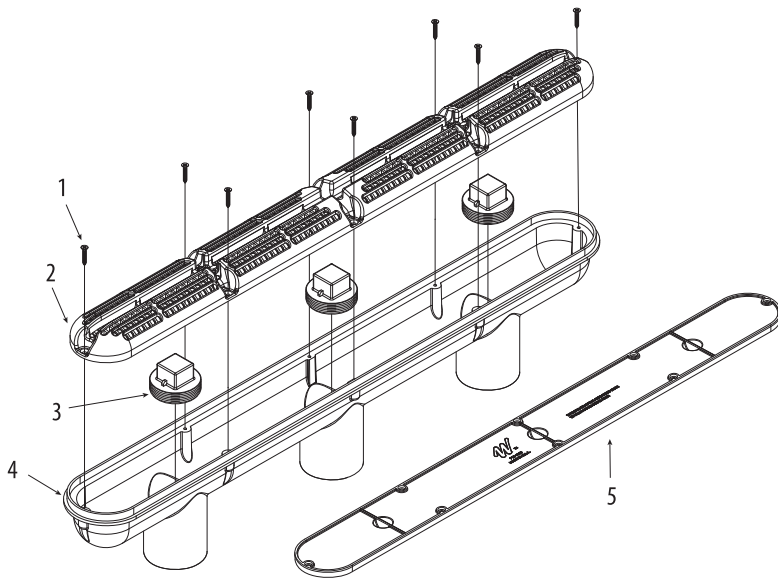
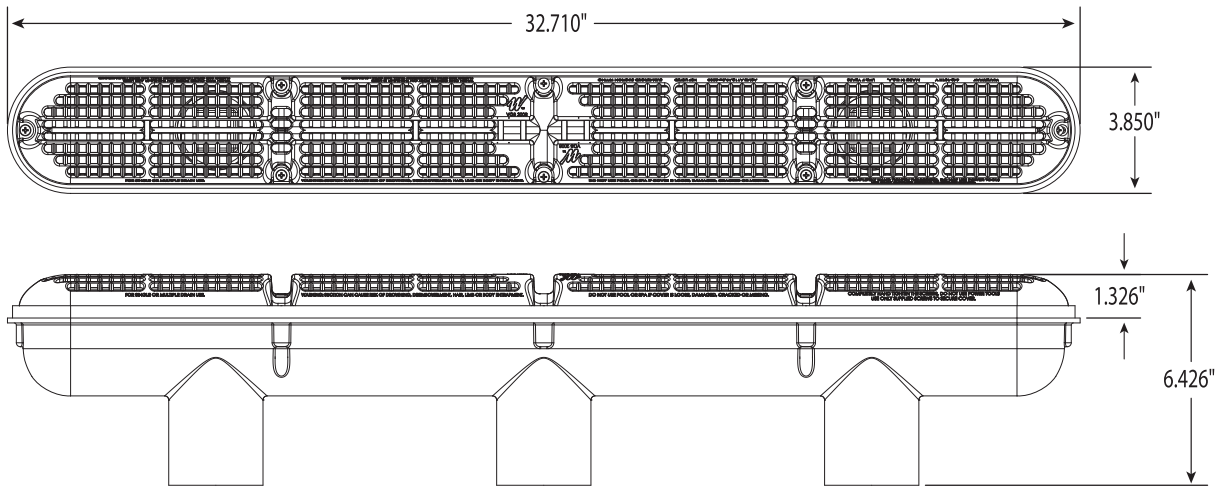
The Waterway 640-132x V series Concrete Ultra Strip Drain is available in:

- ☐ White
- Black
- ▣ Gray



640-1320 V

Model No.	Description	Size	Total Open Area Square Inches	Floor Flow Rate GPM	Wall Flow Rate GPM	Flow Rate GPM @ 1.5 ft/sec
640-132x V	Concrete Ultra Strip Drain	32"	37.7	288 @ 2.47 ft/sec (one port center)	232 @ 1.99 ft/sec (one port center)	175
640-132x V	Concrete Ultra Strip Drain	32"	37.7	352 @ 3.02 ft/sec (two ports)	296 @ 2.61 ft/sec (two ports)	175



Item No.	Part No.	Description
1	819-1031	#8 x 1" Screw
2	642-131x V	32" Grate
3	715-9910	2" Pipe Plug
4	642-1320	32" 3-Port Plaster Sump
5	715-1360	32" Plaster Cover/Plug

