

Thread-In Gunitite Jets


Mini Storm Thread-In Gunitite Jets

Internal Type	5-Scallop	6- Spoke
Directional	229-7920	229-4309DSG-TT
Roto	229-7930	229-4319DSG-TT
Twin Roto	229-7950	229-4329DSG-TT
Massage	229-0030	229-4339DSG-TT

Poly Storm Thread-In Gunitite Jets

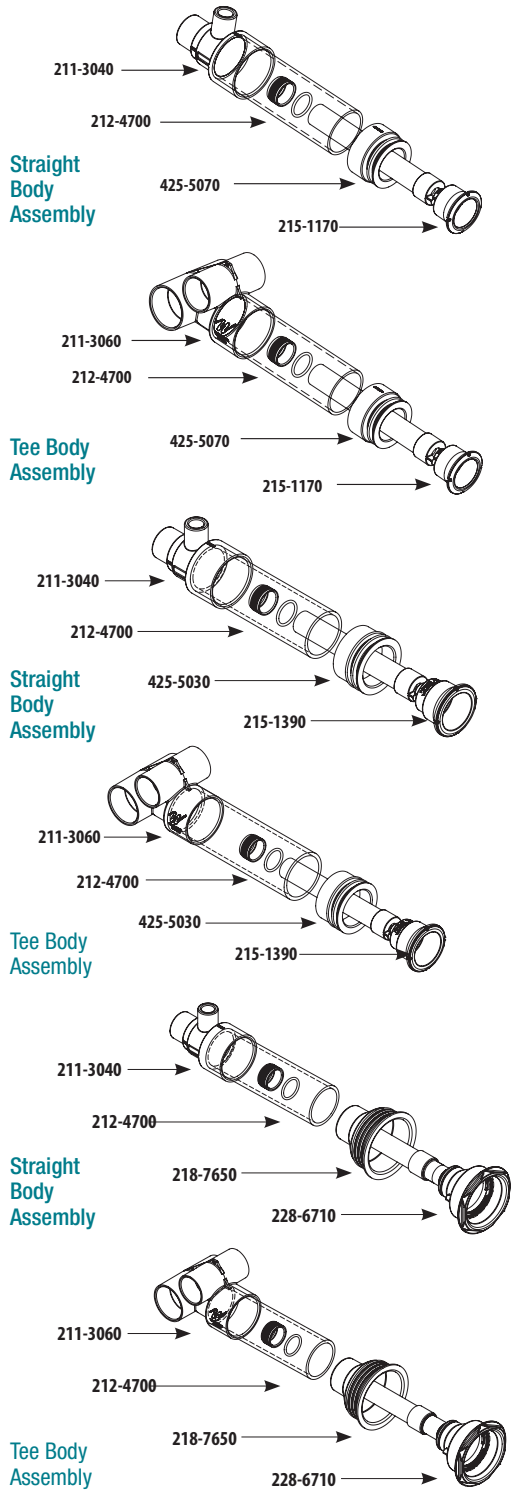
Internal Type	5-Scallop	6- Spoke
Directional	229-8050	229-8599DSG-TT
Roto	229-8010	229-8579DSG-TT
Twin Roto	229-8120	229-8589DSG-TT
Massage	229-8030	229-8519DSG-TT

Power Storm Thread-In Gunitite Jets

Internal Type	5-Scallop	6- Spoke
Directional	229-7630G	229-7579GDSG-TT
Roto	229-7600G	229-7559GDSG-TT
Twin Roto	229-7610G	229-7569GDSG-TT
Massage	229-7740G	229-7599GDSG-TT

Part Number shown indicate White. Jets are also available in various colors. 0 - White, 1- Black, 7 - Gray

Body Assemblies



Mini Storm Thread-In Gunite Body Assemblies			
Description	White	Black	Gray
Straight Body Assy, 1" S Air x 1 1/2" S Water - Niche	229-1000	NA	NA
Tee Body Assy, 1 1/2" S Air x 2" S Water - Threaded Ring & Niche	229-1010	NA	NA
Straight Body Only	211-3040	NA	NA
Tee Body Only	211-3050	NA	NA
Threaded Retainer Ring with O-Ring	212-4700	NA	NA
Mini Gunite Jet Niche Adapter	425-5070	425-5071	425-5077
Wall Fitting	215-1170	215-1171	215-1177
Straight Body Niche Adapter 229-1000	425-5070	425-5071	425-5077
Straight Body Wall Fitting 229-1000	215-1170	215-1171	215-1177
Tee Body Niche Adapter 229-1010	425-5070	425-5071	425-5077
Tee Body Wall Fitting 229-1010	215-1170	215-1171	215-1177
Poly Storm Thread-In Gunite Body Assemblies			
Description	White	Black	Gray
Straight Body Assy - 1" S Air x 1 1/2" S Water - Niche	229-1100	NA	NA
Tee Body Assy - 1 1/2" S Air x 2" S Water - Threaded Ring and Niche	229-1110	NA	NA
Straight Body Only	211-3040	NA	NA
Tee Body Only	211-3060	NA	NA
Threaded Retainer Ring with O-Ring	212-4700	NA	NA
Poly Gunite Jet Niche Adapter	425-5030	NA	NA
Wall Fitting	215-1390	215-1391	215-1397
Straight Body Niche Adapter 229-1100	425-5030	425-5031	425-5037
Straight Body Wall Fitting 229-1100	215-1390	215-1391	215-1397
Tee Body Niche Adapter 229-1110	425-5030	425-5031	425-5037
Tee Body Wall Fitting 229-1110	215-1390	215-1391	215-1397
Power Storm Thread-In Gunite Body Assemblies			
Description	White	Black	Gray
Straight Body Assy - 1" S Air x 1 1/2" S Water - Niche	229-1200	NA	NA
Tee Body Assy - 1 1/2" S Air x 2" S Water - Threaded Ring and Niche	229-1210	NA	NA
Straight Body Only	211-3040	NA	NA
Tee Body Only	211-3060	NA	NA
Threaded Retainer Ring with O-Ring	212-4700	NA	NA
Power Gunite Jet Niche Adapter	218-7650	218-7651	218-7657
Wall Fitting	228-6710	228-6711	228-6717
Straight Body Niche Adapter 229-1200	218-7650	218-7651	218-7657
Straight Body Wall Fitting 229-1200	228-6710	228-6711	228-6717
Tee Body Niche Adapter 229-1210	218-7650	218-7651	218-7657
Tee Body Wall Fitting 229-1210	228-6710	228-6711	228-6717

* 1" and 2 1/2" pipe not included

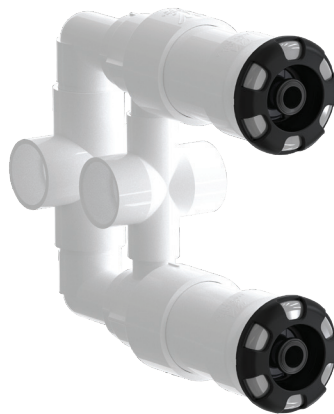
Aqua Shapes® 3,2,1 Jet Manifold

Features:

- Pre-plumbed air and water connections
- Comes with 3 of the 6-spoke poly gunite jets
- 2" spigot fitting for water
- 1½" S fitting for air
- Saves time and money
- Available in 1 jet seat gunite, 2 jet seat gunite and 3 jet seat gunite
- All AquaShapes Jet Manifolds come with Threaded Retainer Ring w/O-Ring, Gunite Jet Niche Adapter and Wall Fitting



1-Jet Manifold
210-3550G



2-Jet Manifold
9" 210-3560G
7" 210-3540G



3-Jet Manifold
9" 210-3510G
7" 210-3520G

Accessories

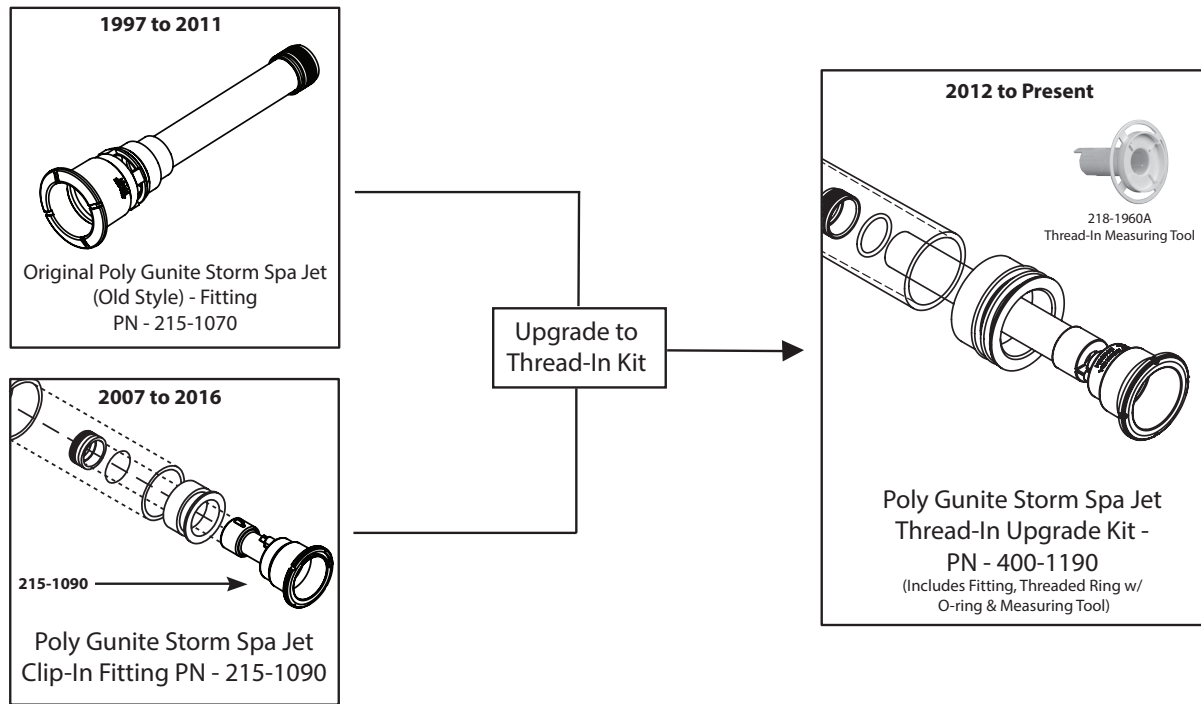
**3 Jet Manifold:
Patent US937714
1 & 2 Jet Manifolds:
Patent Pending**



218-1960A
Measuring Tool (sold separately)

Upgrade Kits for Poly/Power Gunite Jets

Gunite Storm Poly Jet - Thread-In Upgrade Kit



Gunite Storm Power Jet - Thread-In Upgrade Kit

