

Mirage Skim Filter

Patent Pending

We Made Screws and Routers Disappear.

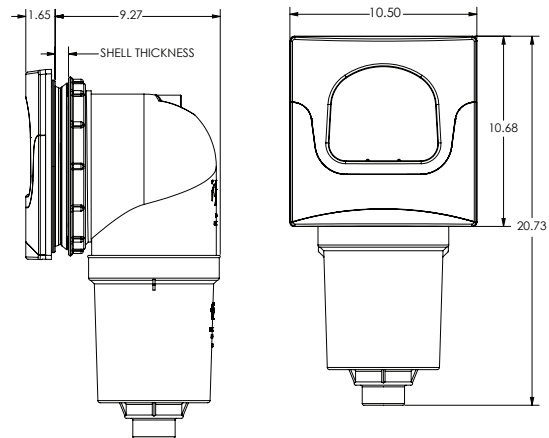


Features:

- Easy Installation
- 50 Sq. Ft. Cartridge
- Eliminates Screws, Routers & Excessive Silicone Use
- Built-In ½" Air Bleeder Port
- Easy Access to Basket & Cartridge
- Custom Logos and Designs Available in Volume

Specifications:

- Hole Saw Size – 9"
- Minimum Wall Thickness – 5/16"
- Maximum Wall Thickness – ½"
- Skim Filter Width – 10 ½"



Part #	Description
510-9809-DSG	Mirage Front Access Skim Filter DSG