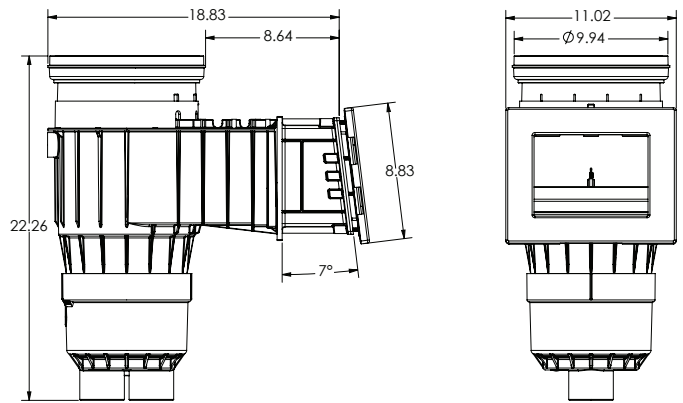
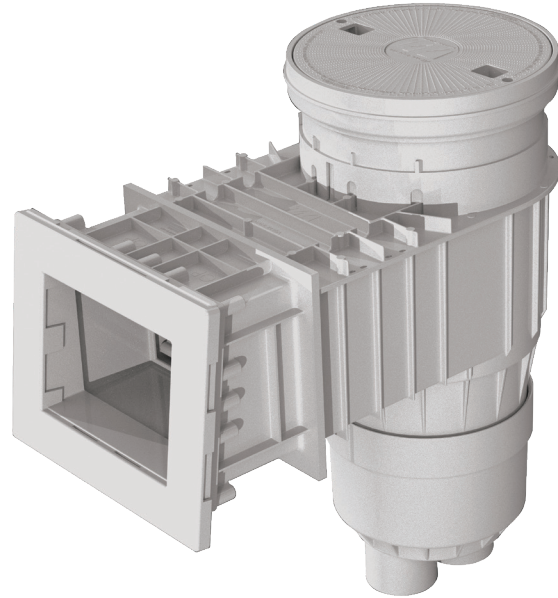


# 7 Degree Fiberglass Skimmer

Angled to Perfection.

## Features:

- 7 Degree Fiberglass Skimmer angled to accept the pool wall and stay level with the deck
- Includes 1½" stainless steel screws
- PVC socket for better glue joints
- Available in Builder's Pack includes:
  - 2 - 6" Ultra Suction
  - 3 - Wall fitting deep socket return w/ recessed eyeball
  - 1 - 7 Degree Fiberglass Skimmer
- 2" socket by 2 ½" spigot for more flow
- 1" socket for overflow
- Large locking skimmer basket
- Comes with the Reversible Lid and extension ring



Part #	Description	Color
540-8900WW	7 Degree Angled Skimmer Only Round Lid	White
540-8907WW	7 Degree Angled Skimmer Only Round Lid	Gray
540-8950WW	7 Degree Angled Skimmer Only Square Lid	White
540-8957WW	7 Degree Angled Skimmer Only Square Lid	Gray
545-8900	7 Degree Angled Skimmer Builder's Pack Round Lid	White
545-8907	7 Degree Angled Skimmer Builder's Pack Round Lid	Gray
545-8950	7 Degree Angled Skimmer Builder's Pack Square Lid	White
545-8957	7 Degree Angled Skimmer Builder's Pack Square Lid	Gray

