

Louvered Spa Panel Vent

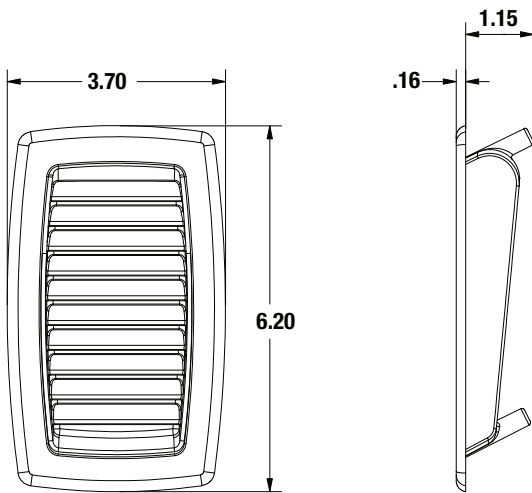
Waterway is proudly reintroducing our Louvered Spa Vent. This product has a built in handle to allow for easy removal of skirt panels. The vent comes with the required hardware to install onto most spa panels.

Features:

- Easily installs onto most spa panels
- Louvered vent protects against weather and rodent intrusion
- Built-in handle allows for easy removal of skirt panels
- Comes complete with installation hardware kit

Specification:

- Made of durable ABS material
- Measures 3 5/8" X 6.25"
- Fits 1/4" - 1/2" panels
- Hole opening 2 5/8" x 5 1/4"



Part #	Description	Color	Case Quantity
675-6511	Louvered Spa Panel Vent w/Lug Assy	Black	100