

Omni Gunite Storm Jets

Elegant design with a modern twist.

Features:

- Three new elegant jet designs to choose from
- Plastic/plastic or plastic/stainless steel in stock
- Mini, Poly and Power sizes available
- Available in, Directional or Twin Roto
- Patented thread-in technology (can't pop out!)

Specifications:

- 304 stainless steel escutcheons
- Jet sizes:
 - Mini – 3 3/16"
 - Poly – 3 5/8"
 - Power – 5 1/4"
- Viton O-ring seals

**4-Swirl
Plastic/stainless**



**4-Swirl
Plastic/plastic**



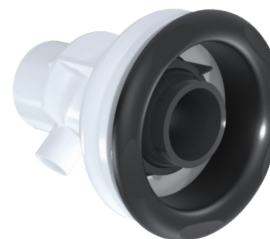
**Smooth
Plastic/stainless**



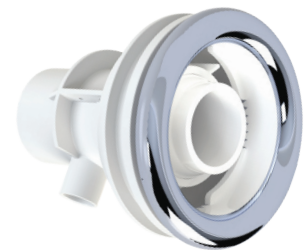
Old Faithful



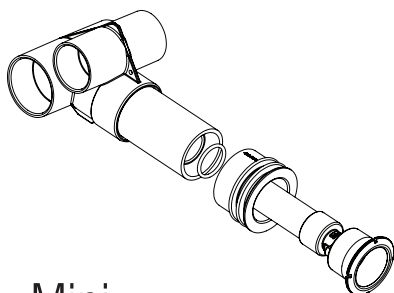
Plastic/plastic



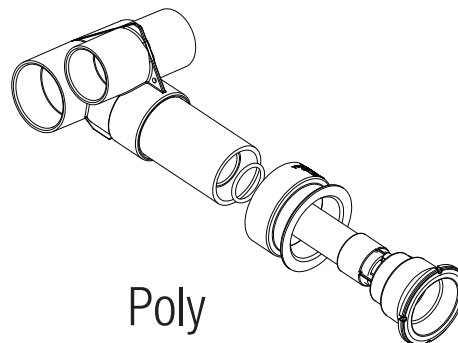
Plastic/plastic



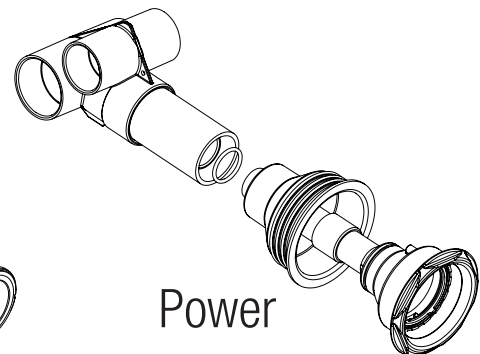
Plastic/stainless



Mini



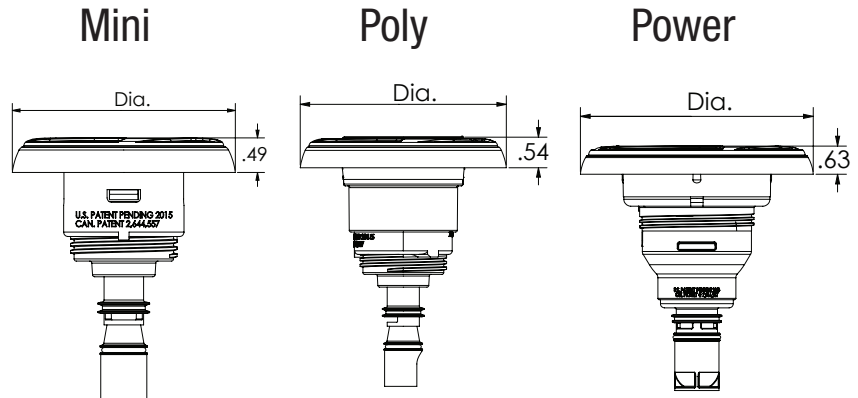
Poly



Power

Omni

Gunite Storm Jets



Omni Storm Jets			
Part #	Description	Diameter	Box Qty
243-9509-DSG-TT	4 - Swirl Directional, Mini	3.17 in	150
243-9509S-DSG	4 - Swirl Directional Metal, Mini	3.17 in	150
243-9539-DSG-TT	4 - Swirl Twin Roto, Mini	3.17 in	150
243-9539S-DSG	4 - Swirl Twin Roto Metal, Mini	3.17 in	150
243-9609-DSG-TT	4 - Swirl Directional, Poly	3.61 in	70
243-9609S-DSG	4 - Swirl Directional Metal, Poly	3.61 in	70
243-9639-DSG-TT	4 - Swirl Twin Roto, Poly	3.61 in	70
243-9639S-DSG	4 - Swirl Twin Roto Metal, Poly	3.61 in	70
243-9809-DSG-TT	4 - Swirl Directional, Power	5.24 in	40
243-9809S-DSG	4 - Swirl Directional Metal, Power	5.24 in	40
243-9839-DSG-TT	4 - Swirl Twin Roto, Power	5.24 in	40
243-9839S-DSG	4 - Swirl Twin Roto Metal, Power	5.24 in	40
243-3209S-DSG	Smooth Directional, Mini	3.17 in	150
243-3239S-DSG	Smooth Twin Roto, Mini	3.17 in	150
243-3309S-DSG	Smooth Directional, Poly	3.61 in	70
243-3339S-DSG	Smooth Twin Roto, Poly	3.61 in	70
243-3409S-DSG	Smooth Directional, Power	5.24 in	40
243-3439S-DSG	Smooth Twin Roto, Power	5.24 in	40
Old Faithful Jets			
Part #	Description	Diameter	Box Qty
210-3910	Straight body 2" S Water X ½" S Air – 0.925 Orifice	2 in	6
210-3910S	Straight body 2" S Water X ½" S Air – 0.925 Orifice	2 in	6
210-3920	Straight body 2" S Water X ½" S Air – 1 ½" Orifice	2 in	6
210-3920S	Straight body 2" S Water X ½" S Air – 1 ½" Orifice	2 in	6

US Patent # 8458825
Patent Pending