

Omni Gunite Storm Jets

Elegant design with a modern twist.

Features:

- Three new elegant jet designs to choose from
- Plastic/plastic or plastic/stainless steel in stock
- Mini, Poly and Power sizes available
- Available in, Directional or Twin Roto
- Patented thread-in technology (can't pop out!)

**4-Swirl
Plastic/stainless**



**4-Swirl
Plastic/plastic**



**Smooth
Plastic/stainless**



Specifications:

- 304 stainless steel escutcheons
- Jet sizes:
 - Mini – 3 3/16"
 - Poly – 3 5/8"
 - Power – 5 1/4"
- Viton O-ring seals

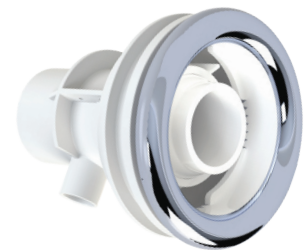
Old Faithful



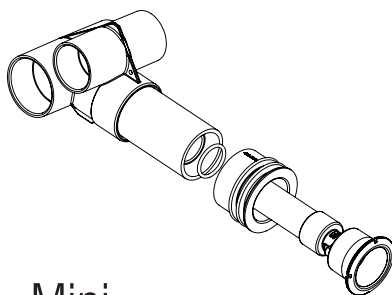
Plastic/plastic



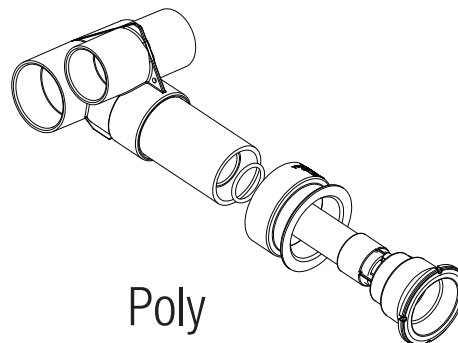
Plastic/plastic



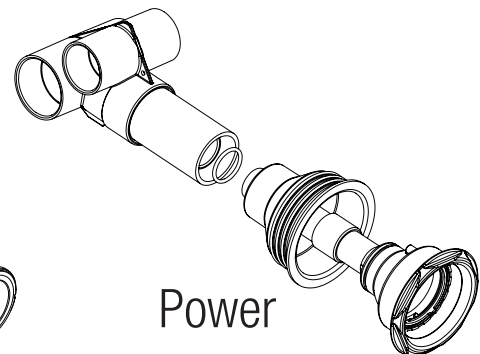
Plastic/stainless



Mini

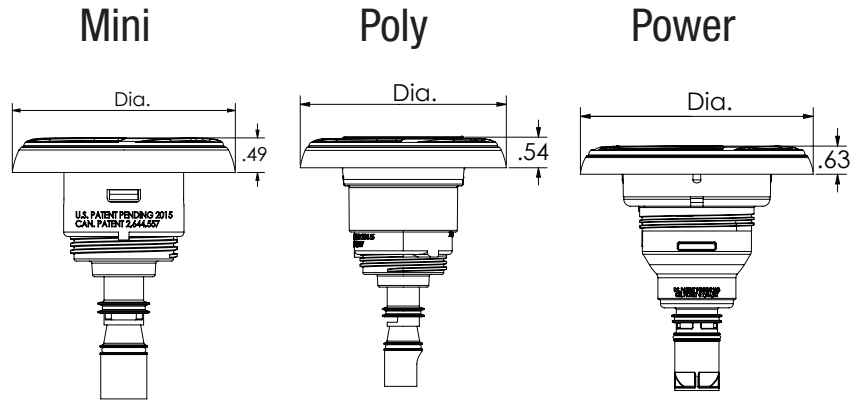


Poly



Power

Omni Gunitite Storm Jets



| Omni Storm Jets | | | |
|-------------------|---|----------|---------|
| Part # | Description | Diameter | Box Qty |
| 243-9509-DSG-TT | 4 - Swirl Directional, Mini | 3.17 in | 150 |
| 243-9509S-DSG | 4 - Swirl Directional Metal, Mini | 3.17 in | 150 |
| 243-9539-DSG-TT | 4 - Swirl Twin Roto, Mini | 3.17 in | 150 |
| 243-9539S-DSG | 4 - Swirl Twin Roto Metal, Mini | 3.17 in | 150 |
| 243-9609-DSG-TT | 4 - Swirl Directional, Poly | 3.61 in | 70 |
| 243-9609S-DSG | 4 - Swirl Directional Metal, Poly | 3.61 in | 70 |
| 243-9639-DSG-TT | 4 - Swirl Twin Roto, Poly | 3.61 in | 70 |
| 243-9639S-DSG | 4 - Swirl Twin Roto Metal, Poly | 3.61 in | 70 |
| 243-9809-DSG-TT | 4 - Swirl Directional, Power | 5.24 in | 40 |
| 243-9809S-DSG | 4 - Swirl Directional Metal, Power | 5.24 in | 40 |
| 243-9839-DSG-TT | 4 - Swirl Twin Roto, Power | 5.24 in | 40 |
| 243-9839S-DSG | 4 - Swirl Twin Roto Metal, Power | 5.24 in | 40 |
| 243-3209S-DSG | Smooth Directional, Mini | 3.17 in | 150 |
| 243-3239S-DSG | Smooth Twin Roto, Mini | 3.17 in | 150 |
| 243-3309S-DSG | Smooth Directional, Poly | 3.61 in | 70 |
| 243-3339S-DSG | Smooth Twin Roto, Poly | 3.61 in | 70 |
| 243-3409S-DSG | Smooth Directional, Power | 5.24 in | 40 |
| 243-3439S-DSG | Smooth Twin Roto, Power | 5.24 in | 40 |
| Old Faithful Jets | | | |
| Part # | Description | Diameter | Box Qty |
| 210-3910 | Straight body 2" S Water X ½" S Air – 0.925 Orifice | 2 in | 6 |
| 210-3910S | Straight body 2" S Water X ½" S Air – 0.925 Orifice | 2 in | 6 |
| 210-3920 | Straight body 2" S Water X ½" S Air – 1 ½" Orifice | 2 in | 6 |
| 210-3920S | Straight body 2" S Water X ½" S Air – 1 ½" Orifice | 2 in | 6 |

US Patent # 8458825
Patent Pending