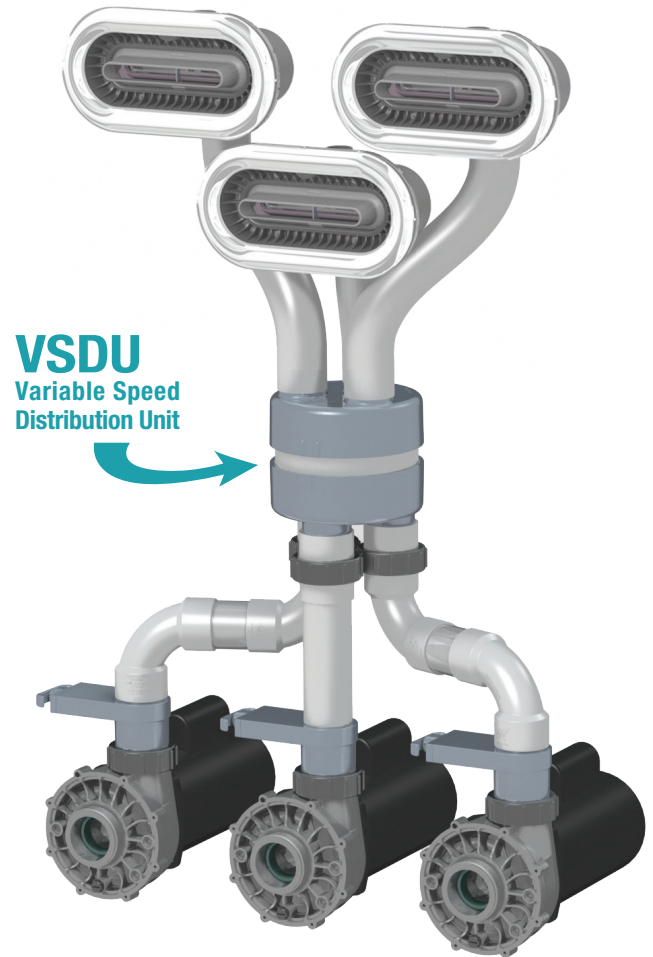


# Variable Speed Swim Spa System

Waterway's unique Variable Speed Swim Spa System utilizes economical 2-speed pumps, a specially designed NEO 2100 control system and a VSDU (Variable Speed Distribution Unit) to achieve variable flows at very low cost. The swimmer can now adjust all jets simultaneously, with up to 6 swim speeds, allowing for gentle low buoyancy aerobics all the way to an aggressive swim.



## Features:

- Achieves variable speeds ideal for swim spa use.
- Only one button required to actuate system, then use UP or DOWN arrows to adjust speeds.
- Works with either two or three Viper swim pumps.
- Control system can support one or more swim jets, and additional spa and circulation pumps.
- Doesn't require expensive variable speed pumps, additional controls and inverters to operate!

**Waterway VSDU System  
Complete, Efficient, Easy  
to Install...& Patented!**

**Patent No: US9,573,038**



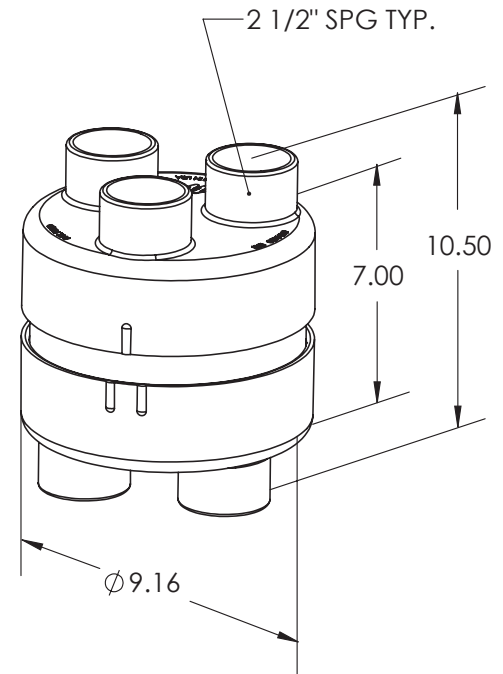
See video of the VSDU Swim Spa System in action on YouTube! Search: Waterway - Variable Speed Swim Spa System

# Variable Speed Swim Spa SYSTEM

## Here's how it works...

A specially designed NEO 2100 Spa Pack controls the sequence of each pump. For example: 1st Speed – Pump 1 actuates on low speed equaling roughly 140 GPM, 2nd Speed – Pump 1 & 2 actuates on Low Speed equaling roughly 250 GPM, 3rd Speed – Pump 1 actuates on High Speed equaling roughly 290 GPM and so forth (see chart below). The flow from all pumps are mixed together in the VSDU and then evenly re-distributed to each of three swim jets.

## It's that simple!



### Complete System is comprised of:

- Easy to use specially designed NEO 2100 control system
- Innovative 2 ½" VSDU (Variable Speed Distribution Unit)
- Two 2 ½" serviceable check valves
- Economical 2-speed pumps to operate

2 Pump System				
System Speed	Pump	Pump Speed	Flow/Jet GPM	Total System Flow
1	P1	Low	45	135
2	P1 & P2	Low	85	255
3	P1	High	95	285
4	P1 & P2	High	178	534
3 Pump System				
System Speed	Pump	Pump Speed	Flow/Jet GPM	Total System Flow
1	P1	Low	45	135
2	P1 & P2	Low	85	255
3	P1	High	95	285
4	P1 & P2 & P3	Low	118	354
5	P1 & P2	High	178	534
6	P1 & P2 & P3	High	245	735

Note : Tests were made with 4HP, 12 amp Viper Pumps

Please contact your Waterway Sales Representative for more information.