

# SGMS Storm Jets

The power of the storm has returned with Waterway's new SGMS Storm Jet Bodies. Waterway's SGMS technology allows for easier installation and increased installation capacity. Installing is as simple as drilling the hole, inserting the grommet and pressing in the body. There's no need to spot face and no need for silicone, gaskets, nuts or compensating rings.



## Features:

- SGMS Sure Seal Technology
- Fast and easy to install
- Available in Cluster, Mini, Poly and Power sizes
- Available in smooth or ribbed barbed plumbing
- LED ready

Mounting  
Made  
Easy

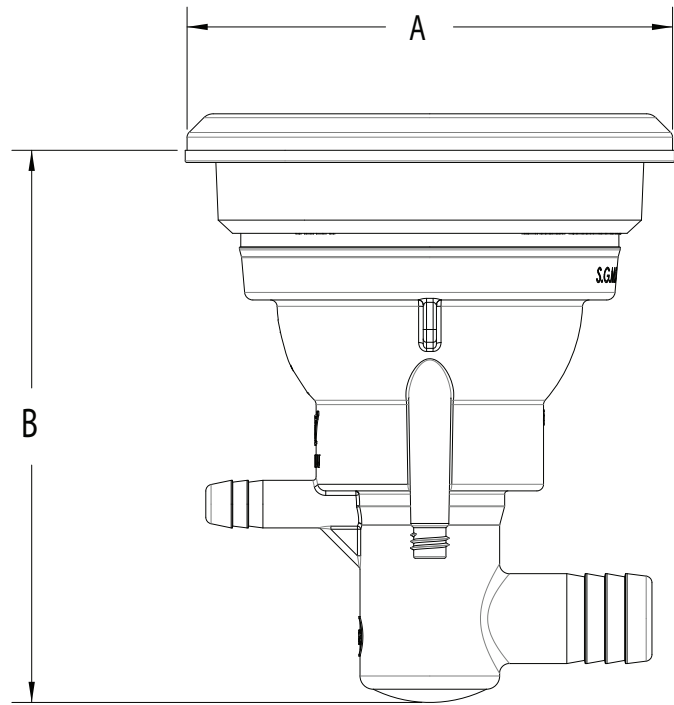
# SGMS Storm Jets

## Specifications:

- EPDM Grommet
- Clear Fitting Grade PVC
- Made of NSF approved materials



Scan QR Code for more info



Smooth Barb	Ribbed Barb	Part Description
228-2418	228-2408	Cluster Storm SGMS Grommet, 3/4" RB x 3/8" RB
228-3418	228-3408	Mini Storm SGMS Grommet, 3/4" RB x 3/8" RB
228-4418	228-4408	Poly Storm SGMS Grommet, 3/4" RB x 3/8" RB
228-5418	228-5408	Power Storm SGMS Grommet, 3/4" RB x 3/8" RB

Body	Hole Saw Size	A Dimension	B Dimension
SGMS Cluster Storm Jet	1.650"	01.92"	2.66"
SGMS Mini Storm Jet	2.34375"	02.66"	3.49"
SGMS Poly Storm Jet	2.84375"	03.08"	4.06"
SGMS Power Storm Jet	3.96875"	04.60"	5.21"