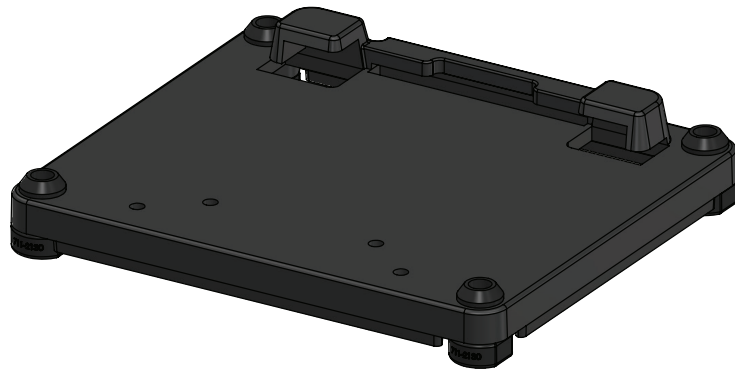


# Universal Floating Pump Base

Waterway is proudly introducing our new Universal Pump Base. This new pump base has all the great features of the original universal pump base, but has a smaller footprint to allow for it to fit into tighter spaces and has molded in ¼"-20 brass inserts for easier installation.

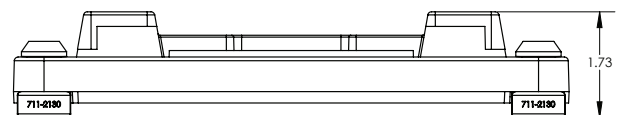
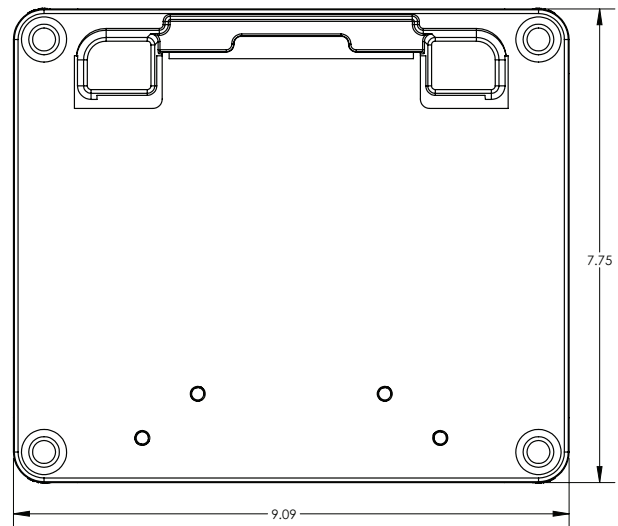
## FEATURES:

- Fits all standard 48 and 56 frame spa pumps
- Molded in ¼"-20 brass inserts
- Rubber isolation pads
- One sided plastic gib allows for easy installation from the front
- Comes complete with hardware installation kit



## SPECIFICATIONS:

- Made of indestructible Polypropylene
- PVC Rubber isolation pads
- (2) ¼"-20 Stainless steel bolts
- (2) ¼" Stainless steel washers
- (4) ¼"-20 Brass inserts



Part #	Description
672-1780	Universal Floating Pump Base (2021 Design)