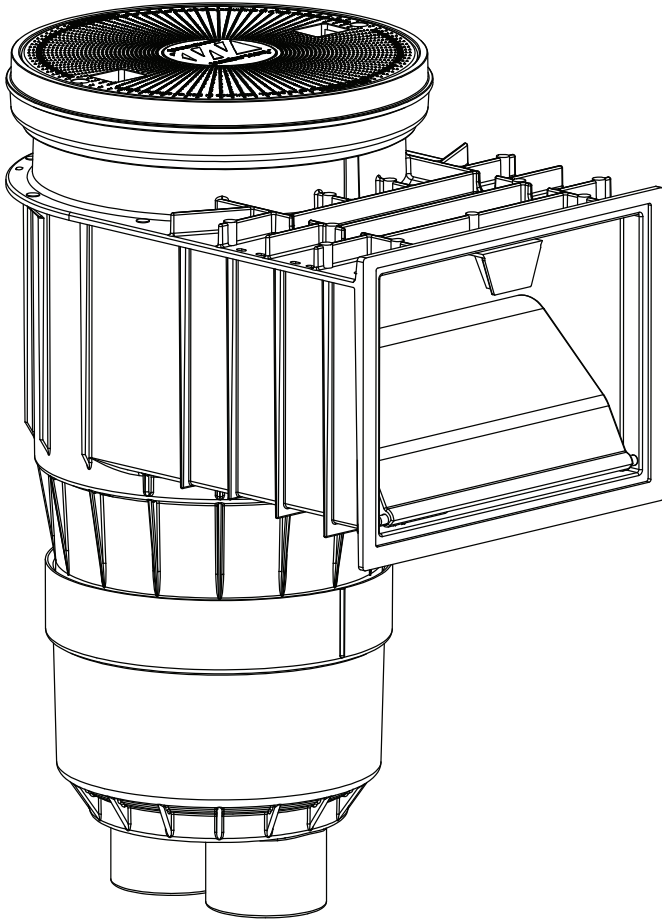


RENEGADE GUNITE SKIMMER OPERATING INSTRUCTIONS



NORMAL OPERATION

Water passes over the weir door, down through the basket and float valve assembly to the pump. The trimmer plate on the float valve assembly or the diverter plate are both open.

ADJUSTING THE SKIMMER FLOW

If the skimmer flow is too fast due to excessive flow rate from the pump, either rotate the float valve trimmer plate or the diverter plate over the port to the pump until required flow is achieved.

VACUUM/BRUSHING THE POOL

To vacuum the pool, first remove the float valve, then close the diverter plate over the main drain. Install the vacuum plate above the basket and connect the vacuum hose to the vacuum plate to proceed with the brushing operation.

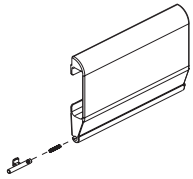
MULTIPLE SKIMMERS

Rotate the diverter plate at the bottom of the skimmer over the pump port to restrict the flow and balance the flow from each skimmer.

LOW WATER LEVELS

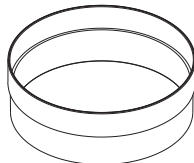
When the water level drops below the weir door, water will no longer flow from the pool through the upper part of the skimmer. The pump will evacuate the remaining water from the skimmer causing the float valve to close and water will flow from the main drain only, or until the water level is increased. The same can occur when and if the basket gets filled with leaves and debris.

RENEGADE GUNITE SKIMMER REPLACEMENT PARTS

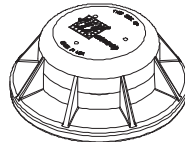


Replacement Weir Door

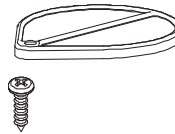
550-9950 White
 550-9951 Black
 550-9957 Gray
 550-9959-DKG Dark Gray
 550-9959-BEI Beige
 (bagged individually)



Extension Ring
 519-6570 White



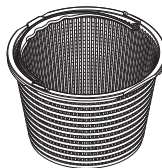
Float Valve Assembly
 542-6200 White



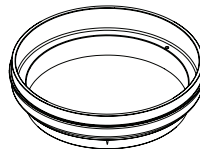
Diverter Plate & Screw
 519-6470
 819-4350



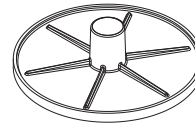
Lid Assembly
 540-7800WW-10 White
 540-7801WW-10 Black
 540-7807WW-10 Gray
 540-7808WW-10 Clear
 540-7809WW-B10 Beige
 540-7809WW-D10 Dark Gray



Skimmer Basket
 542-3240 White



Frame
 519-7900



Vacuum Plate
 519-6480

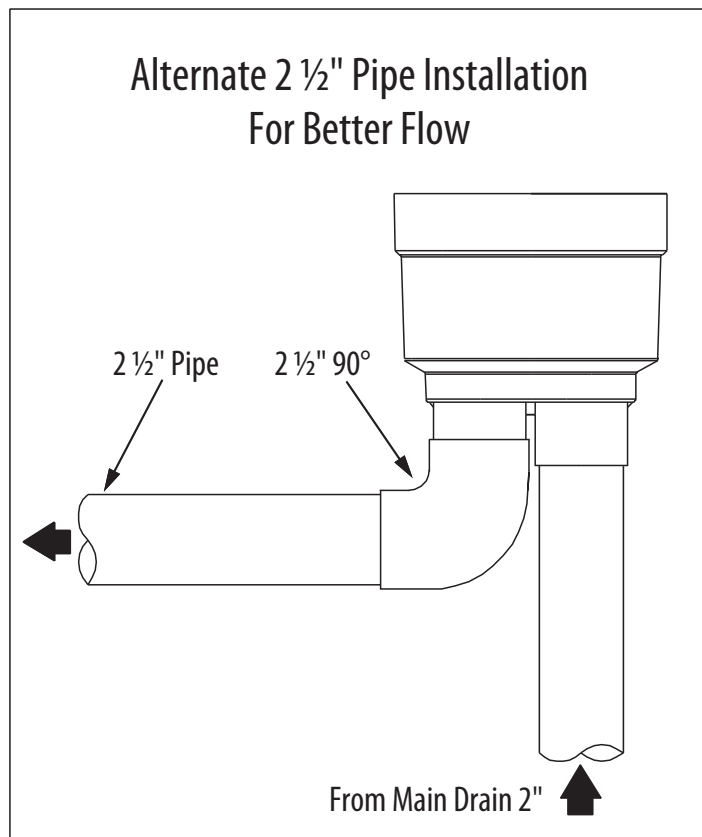
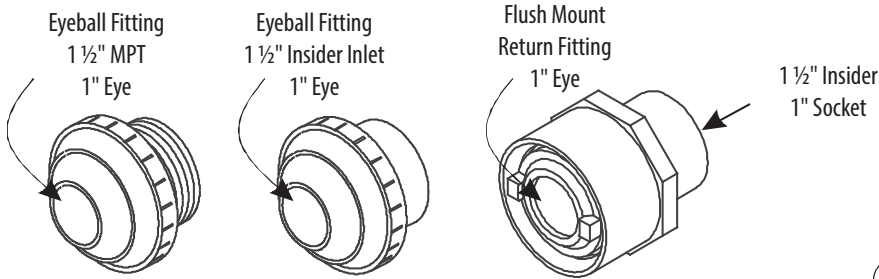
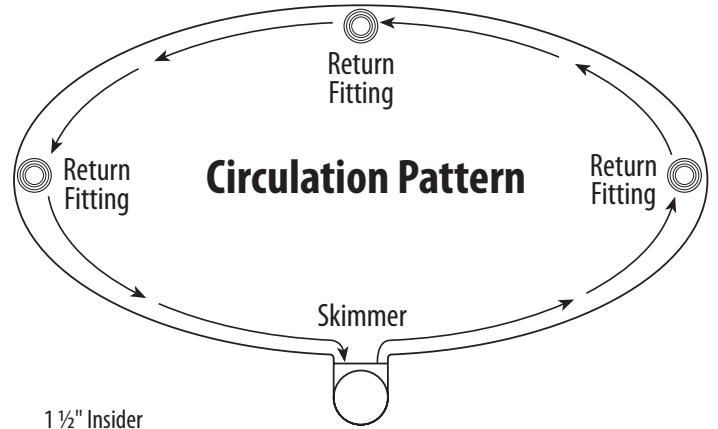


2200 East Sturgis Road, Oxnard CA 93030 • Phone 805.981.0262 • Fax 805.981.9403

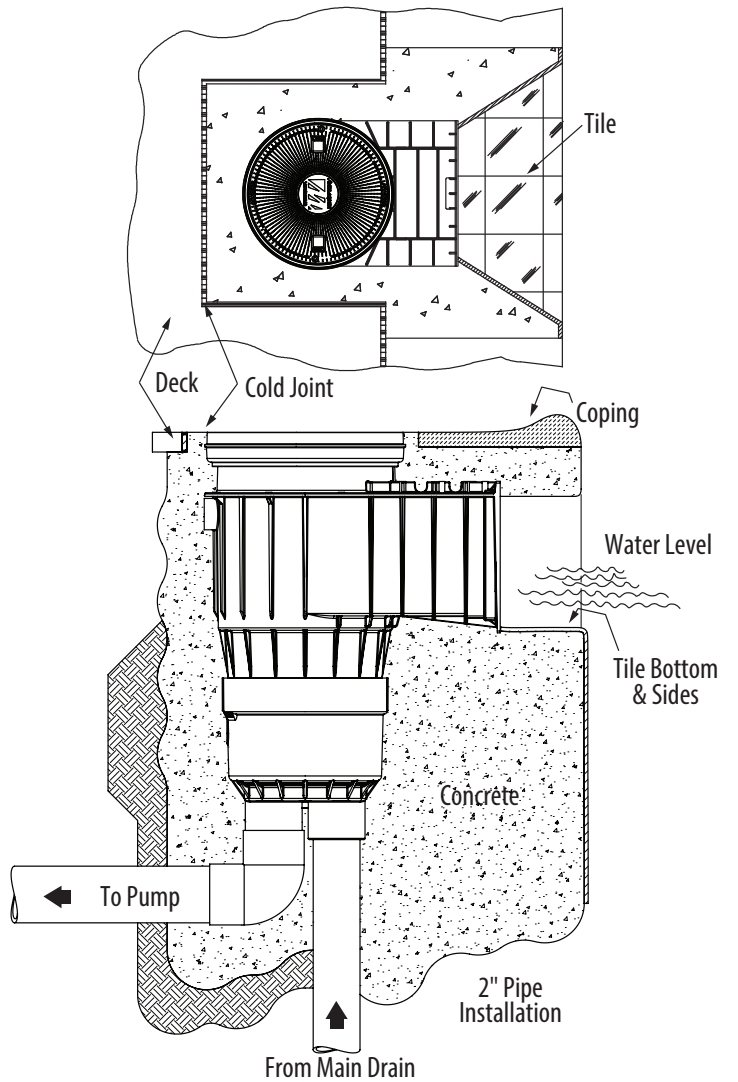
www.waterwayplastics.com • waterway@waterwayplastics.com

SKIMMER INSTALLATION

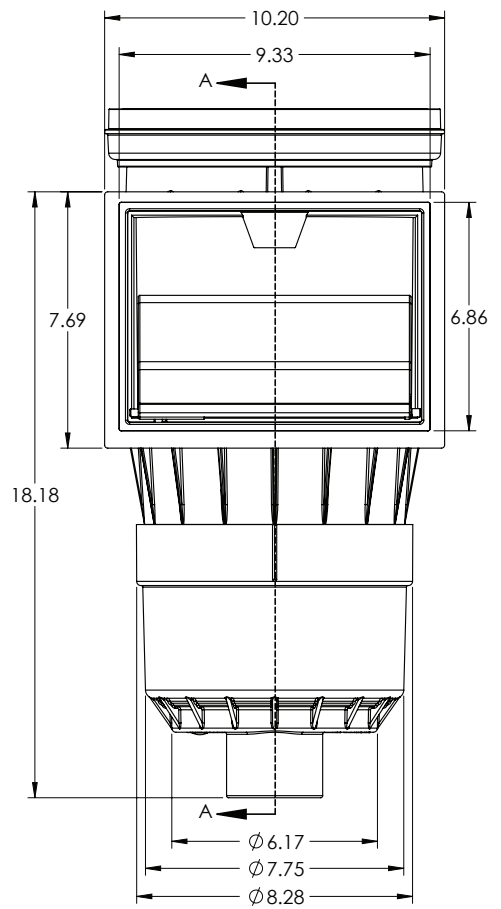
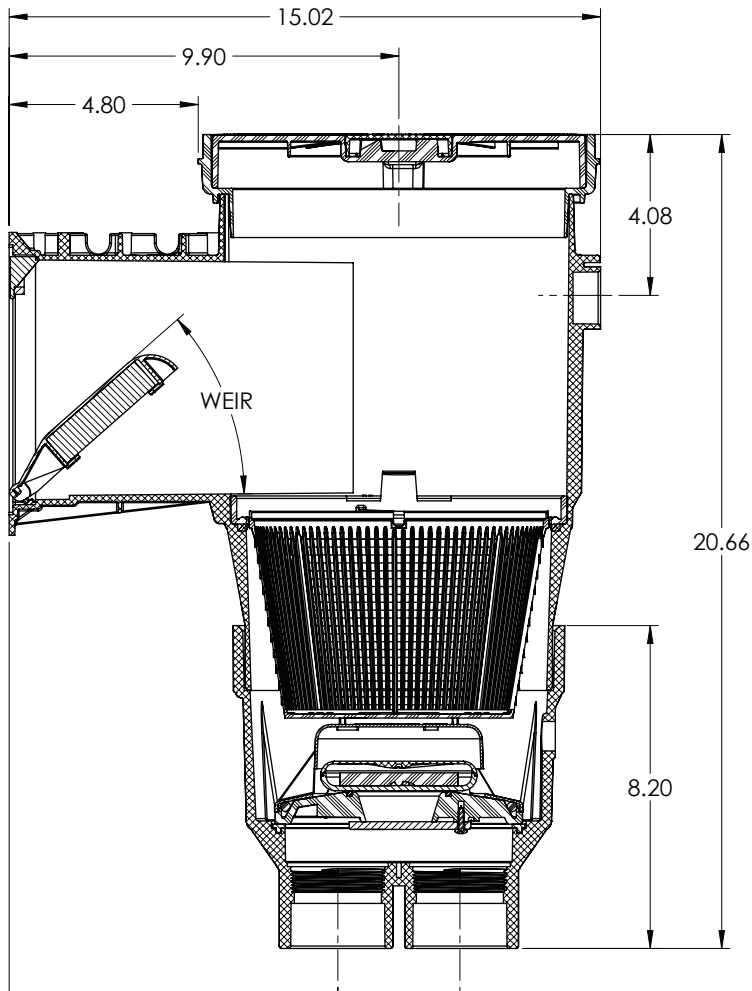
For the Skimmer to work most effectively, it must be positioned pertinent to the prevailing wind and drift, the pool shape, and the water circulation pattern. The function of directional inlet fittings will ensure the appropriate circulation pattern. See diagrams.



For 1 1/2" or FPT Skimmer (2" Spigot) best results are 1 1/2" pipe to drain and 2" 90° for pump.



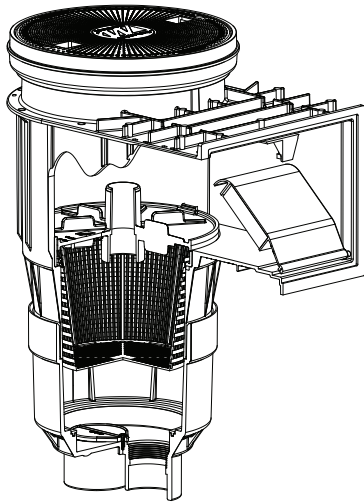
SKIMMER DIMENSIONS



WARRANTY

For product registration visit: www.waterwayplastics.com.
For Warranty questions or claims please contact point of purchase.

SKIMMER WITH DIVERTER PLATE



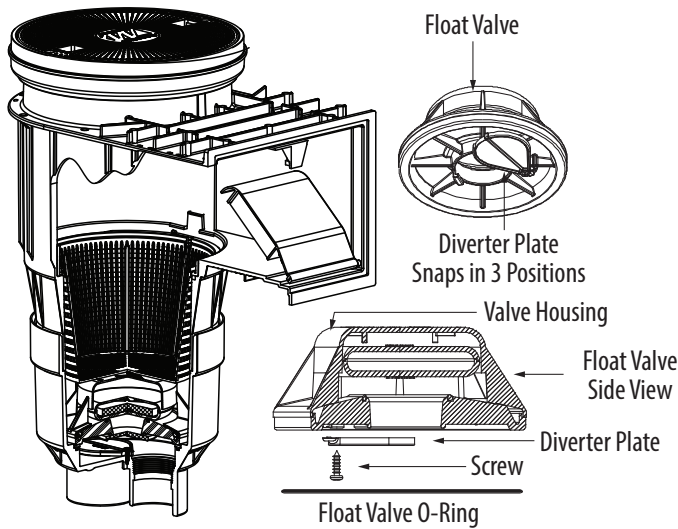
FLOW ADJUSTMENT

For full flow, slide the diverter plate until it is fully open. To adjust flow, slide diverter plate to desired position over pump outlet.

TO VACUUM

Remove the cover and the basket. Screw the hose adapter into the pump outlet. Fill the vacuum hose with water and insert over the hose adapter.

SKIMMER WITH FLOAT VALVE (OPTIONAL)



When using the Float Valve Assembly, water is drawn by the suction of the pump from the surface of the pool and the main drain line. The flow is balanced by the diverter plate located under the Float Valve Assembly. If obstruction or evaporation occurs, causing a significant reduction of flow over the weir, the float will automatically snap shut. This diverts all flow to the pump from the main drain line and prevents possible air lock. When the pump is shut off or water level condition has been remedied, the float will rise back to the top of the assembly, allowing for normal operation of the flow.

TO SWEEP/BRUSH

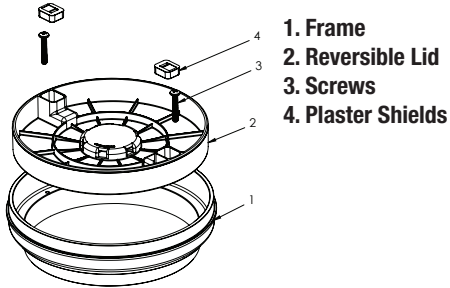
To divert all suction of the main drain, simply hold the wire above the normal operation level and allow the float to snap shut. Or lift the Float Valve Assembly out, close the diverter plate and replace. To reset float after sweeping, turn off pump for about 10-15 seconds and allows the float to rise back up.

TO VACUUM

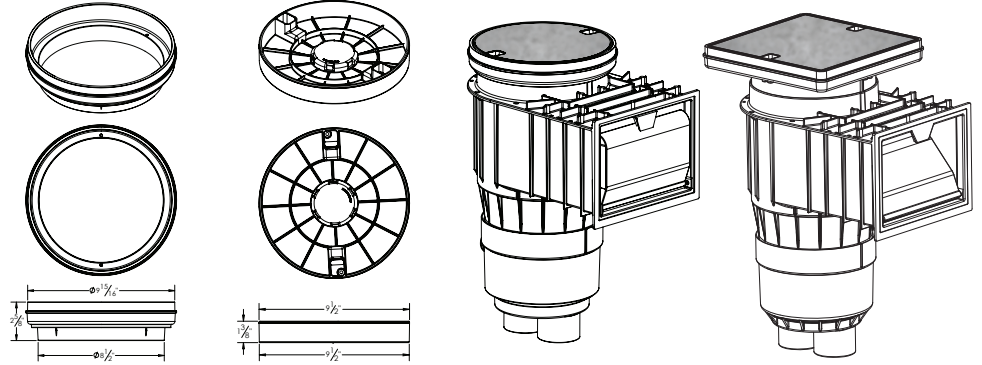
Remove the cover, basket, and the Float Valve Assembly. Screw the hose adapter into the pump outlet. Fill the vacuum hose with water and insert over the hose adapter.

10" Reversible Lid for Skimmers and Autofillers Instructions

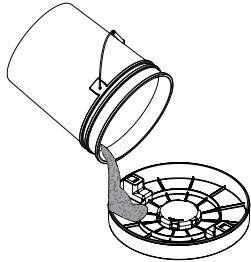
Read, then keep these instructions for future reference.
For more instructions, please consult your local building codes.



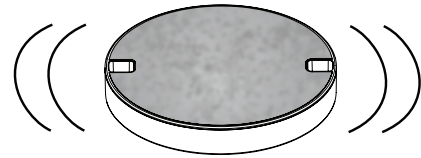
Fits all Waterway skimmers and autofillers and most standard skimmers (Aqua star®, Hayward®, CMP®, Sta-rite® & Pentair®)



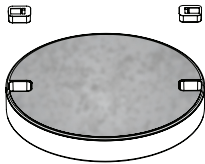
Read and follow all instructions



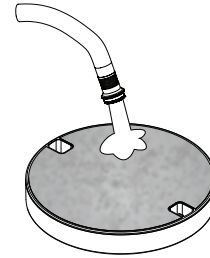
1. Insert supplied plaster shields. Pour the desired material into the fillable side of the lid.



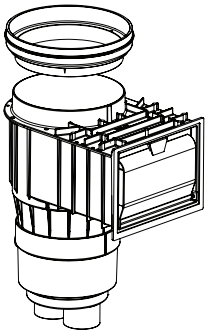
2. Agitate to settle and remove air bubbles in the material.



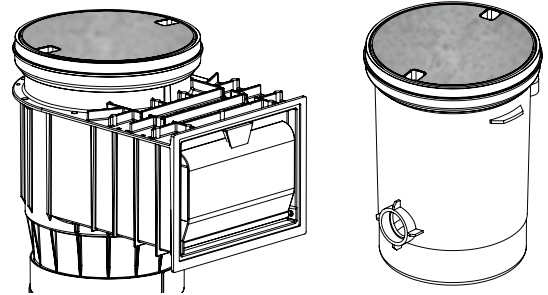
3. Remove plaster shields.



4. Gently wash to clean excess material from the lid, then let dry.



5. Place frame on skimmer and set to desired elevation and level.



6. Install and secure lid to the frame with provided screws.

Recessed Automatic Surface Skimmers

Renegade Vinyl Liner Skimmers, Standard Mouth [2]

540-5700	540-5720	540-8400	540-8420
540-8430	540-8440		

[2] Round white, light gray, dark gray, black and tan lids only. Tested and Listed with a maximum flow rate of 75 GPM. Head loss 1.5 ft. Certified for Pool use only.

Renegade Vinyl Liner Skimmers, Wide Mouth [2]

540-5710	540-5730	540-8500	540-8520
540-8530	540-8540	540-8550	540-8580

[2] Round white, light gray, dark gray, black and tan lids only. Tested and Listed with a maximum flow rate of 75 GPM. Head loss 1.5 ft. Certified for Pool use only.

Residential Pool Skimmers [3]

540-5300	540-5310	540-6410	540-6420
540-6430	540-6440	540-6610	540-6640

Head loss 1.5 ft.