




2 1/2" S / 3" SPG TRUSEAL 3-WAY DIVERTER VALVE

Model Number: 600-0401

SAVE THESE INSTRUCTIONS

READ ALL INSTRUCTIONS PRIOR TO INSTALLATION

-  **IMPORTANT:** Correct directional flow of water is essential for proper function. Turn off all equipment prior to installation or service of valve.
-  **CAUTION:** Do not allow any glue into the valve body beyond the pipe stops.
-  **IMPORTANT:** Prior to installation of valve to fittings, remove internal lid/valve assembly, to prevent accidental gluing of components.

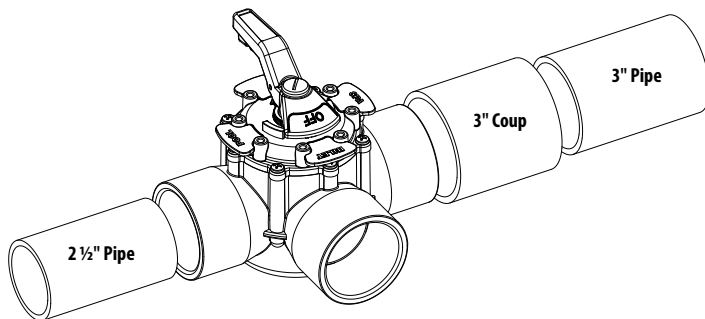
TRUSEAL TRIGGER LOCK HANDLE USE:

NOTE: Valve handle must not be removed during use unless a valve actuator is installed. To turn handle squeeze trigger and move to desired position.

OFF INDICATOR: Off area on indicator represents the exact position of the internal valve diverter seal.

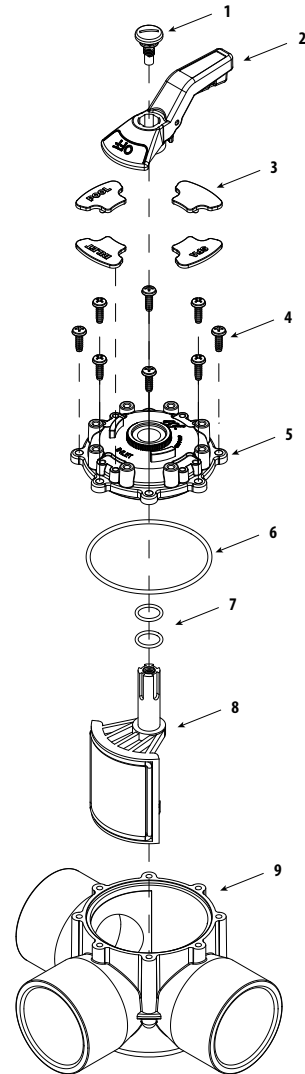
HANDLE STOPS: Protruding stoppers located on valve cover will stop diverter in complete port shut-off position.

TRUSEAL FLOW INDICATOR TAGS: There are flow indicator tags that can be attached for your convenience, to ensure flow to the designated port. Be sure the "INLET" tag is positioned on the valve cover over the desired incoming flow port. **NOTE:** For some installations it may be desirable to permanently glue the flow indicator tags in place. When doing this, remove the lid/valve assembly from the valve body prior to gluing flow indicator tags. When replacing lid/valve assembly hand-tighten screws evenly to ensure correct sealing. **DO NOT** over-tighten.



WARRANTY

For product registration visit: www.waterwayplastics.com.
For Warranty questions or claims please contact point of purchase.



TRUSEAL VALVE REPLACEMENT PARTS

Item	Part. No.	Description
1	715-1300	Assembly Screw
2	600-7170	Handle Assembly
3	600-7180	Flow Labels
4	819-0025	Lid Screw (8 required)
5	602-0451	TruSeal Diverter Valve Lid
6	805-0241	Lid O-Ring
7	805-0116EP	Diverter O-Ring
8	605-7160	Diverter Assembly
9	602-0441	2 1/2" S / 3" SPG TruSeal Diverter Valve Body
--	810-0298	Instruction Sheet



2200 East Sturgis Road, Oxnard CA 93030 • Phone 805.981.0262 • Fax 805.981.9403

www.waterwayplastics.com • waterway@waterwayplastics.com