

CLEAR WATER



CARTRIDGE SYSTEM OWNER'S MANUAL

CLEARWATER II CARTRIDGE FILTER SYSTEM OWNER'S MANUAL

Our ClearWater II Cartridge Filter System is shipped from Waterway complete with everything you need right in the box. Assemble filter system only after above-ground pool is installed. Fill pool with water. Do not raise water level above pool return line.

The pool equipment should be located between pool skimmer and return line. The filtration system should not be closer than 2 ft. and not further than 5 ft. from the pool. The ClearWater II Cartridge Filter System needs to be on a completely flat surface (e.g. patio block, cement slab, etc.). The pump will require a 110 volt/20 amp service.



WARNING: A GFCI is required. Follow national and local building and safety codes.

Before opening shipping carton, make sure box is in the upright position. Inside the carton, you will find:

1. One base
2. One pump (packaged in separate box)
3. One filter
4. Two lengths of 6 ft. hose
5. One bag with fittings

INSTALLATION INSTRUCTIONS



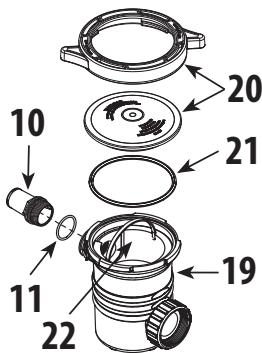
WARNING! READ ALL INSTRUCTIONS AND WARNING LABELS BEFORE OPERATING FILTER!

1. Place filter and base on a level, secure surface. Place the pump on the base to the left of the filter. The pump should now be facing the filter marked "Inlet". There is no need to disassemble filter or pump assemblies.
2. Open pump trap lid and remove 2" gasket. Place 2" gasket into union nut. Hand tighten union nut to suction side of pump (Detail 5).
3. Secure pump to the base using the pin & anchor assemblies (Detail 4).
4. Open fittings bag and remove coupling assembly (Detail 2). Assemble 2" gasket, coupling, coupling O-Ring, and 2" union nut, and thread into inlet side of filter.
5. Thread 2" union nut to pump discharge (Detail 3). Thread hose adapter with O-Ring, to pump trap suction side (Detail 1).
6. From the fittings package, remove 1½" hose adapter and O-ring (Detail 2). Thread into the outlet side of the filter tank.
7. Remove 4 hose clamps from the fittings bag. Select one of the hose

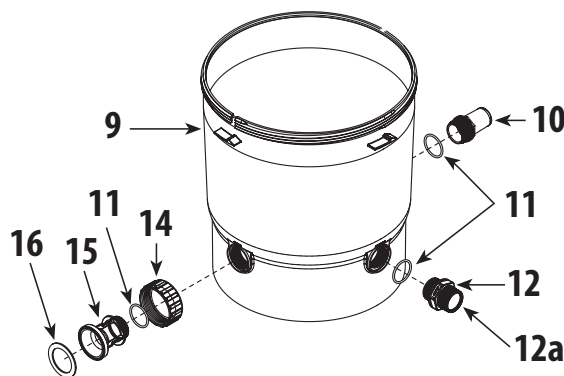
lengths and slip one clamp over the end of hose adapter. Place the end of the hose on to the hose adapter (pump suction) and the other end to the hose adapter end of the pool skimmer. Repeat steps with filter outlet to pool return.

8. Remove the Lid Handle (#4a) from the fittings bag and attach it to the top of the Lid Assembly (#4) as shown (Detail 6). Secure ClearWater Filter to ClearWater Filter Base using #16a Phillips Head Screws (2) (Detail 7 & 8). Fill pool until water level is halfway up length of skimmer throat.
9. Open air release knob. Stand clear from the filter before starting the pump. Plug in and turn on pump. Air will pass out of the filter through the air release knob. Return to filter to close the air release knob only when a steady stream of water (not air or air and water mix) is discharged.

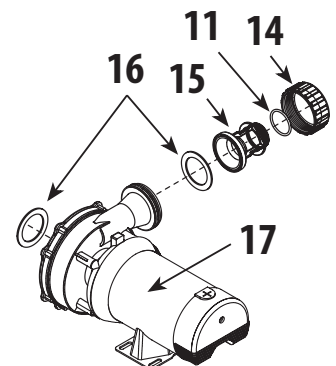
NOTE: To remove Lid Assembly, take off Filter Nut (#6) insert Filter Wrench (#9a) in notch between Filter Body (#9) and Lid Assembly (#4) twist and separate as shown in Detail 7.



DETAIL 1



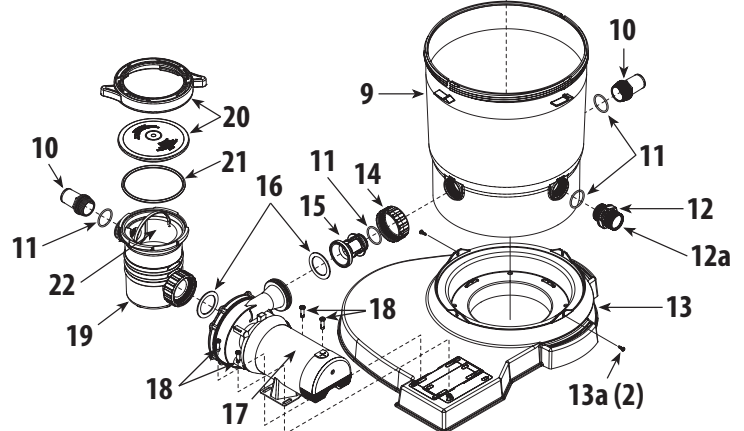
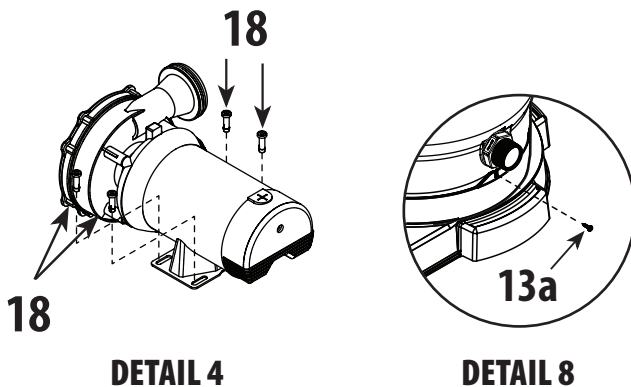
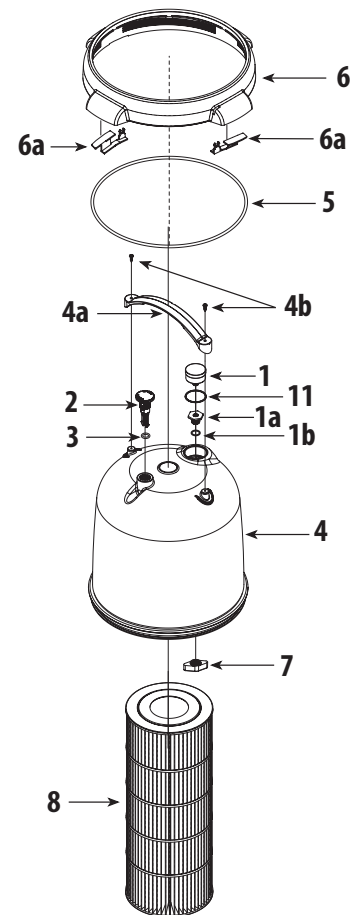
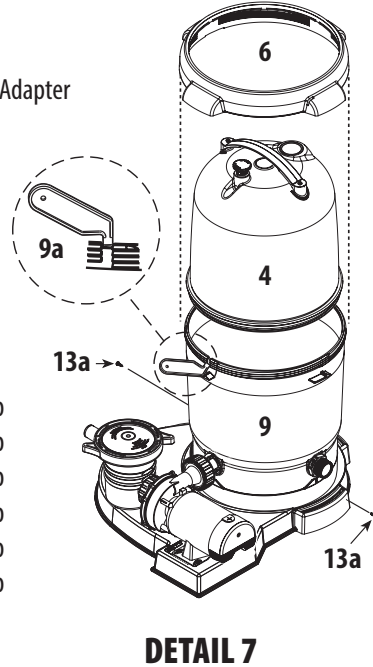
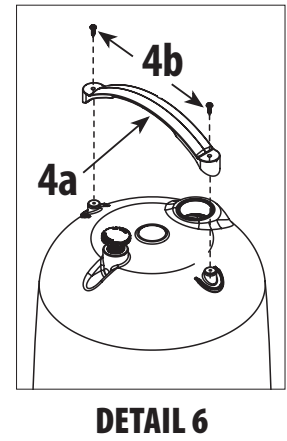
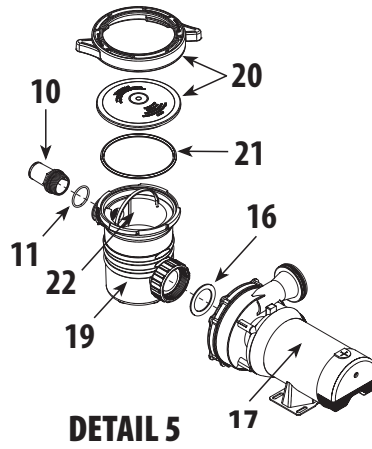
DETAIL 2



DETAIL 3

CLEARWATER II CARTRIDGE FILTER SYSTEM REPLACEMENT PARTS

Item	Part No.	Description
1	830-4000SS	Pressure Gauge
1a	519-7431	Fitting Adapter - Pressure Gauge
1b	805-0117SD	O-Ring
2	602-0201	Air Relief Plug
3	805-0207	O-Ring - Air Relief
4	511-7327	Lid Assembly - Small (75/100 sq. ft.)
	511-7337	Lid Assembly - Large (150/200 sq. ft.)
4a	519-7601	Lid Handle
4b	819-9002	#12 x 3/4" S/S Phillips Head Screw
5	805-0460	Lid O-Ring
6	718-7251	Filter Nut (sold with Lid Assembly only)
6a	519-7451	Handle Assembly (2)
7	519-7441	Wing Nut
8	817-0075P	Cartridge - 75 sq. ft.
	817-0100P	Cartridge - 100 sq. ft.
	817-0150N	Cartridge - 150 sq. ft.
	817-0200N	Cartridge - 200 sq. ft.
9	515-7257	Body - Filter Bottom
9a	519-7470	Filter Wrench (see Detail 7)
10	417-6240	1 1/2" MPT x 1 1/2" Male Smooth Hose Adapter
11	805-0224	O-Ring
12	500-5300	Drain Assembly
12a	505-2030	Drain Cap
13	672-7401	ClearWater II Base
13a	819-0004	#10 x 1" S/S Phillips-head Screw
14	415-5001	2" Union Nut
15	419-7241	Coupling
16	711-4010	2" Union Gasket
17	SD-07-1-T-SH	HP 1.0 SPL - 1-Speed - Hi-Flo II Pump
	SD-07-1-N-SH	HP 1.0 SPL - 1-Speed - Hi-Flo II Pump
	SD-10-1-T-SH	HP 1.5 SPL - 1-Speed - Hi-Flo II Pump
	SD-10-1-N-SH	HP 1.5 SPL - 1-Speed - Hi-Flo II Pump
	SD-10-2-T-SH	HP 1.5 SPL - 2-Speed - Hi-Flo II Pump
	SD-10-2-N-SH	HP 1.5 SPL - 2-Speed - Hi-Flo II Pump
18	429-7221	Pin & Anchor Assembly
19	310-6500	6" Trap - 1 1/2" Buttress x 2" Flange
20	319-4100	2-Piece 6" Pump Trap Lid Assembly
21	805-0436	O-Ring
22	319-3230	6" Basket Assembly



CLEANING INSTRUCTIONS

If the pressure gauge on your filter reads 5 PSI or higher than the original starting pressure, the filter needs to be cleaned. The ClearWater II Cartridge Filter System features the exclusive 1-2-3 Safety Locking System to ensure safe and simple filter maintenance.

1. Turn off pump. **WARNING: Never attempt to clean filter while pump is running. This is a pressurized vessel. It could cause severe injury or harm to your person.** Plug skimmer and pool return lines or drain pool water level to below pool return line.
2. Slowly open the air release knob on top of filter until the pressure gauge reads "0". Open drain cap at bottom of filter and allow water to flow.

3. Press the yellow safety latch on the underside of the locking nut and turn the nut counterclockwise to remove the lid. Rinse the cartridge element with a garden hose. There is no need to remove the element from the filter.
4. Reassemble lid and follow start-up procedures from original instructions.

My Original Starting Pressure is _____ PSI (Pounds per Square Inch). I should clean the filter at _____ PSI.

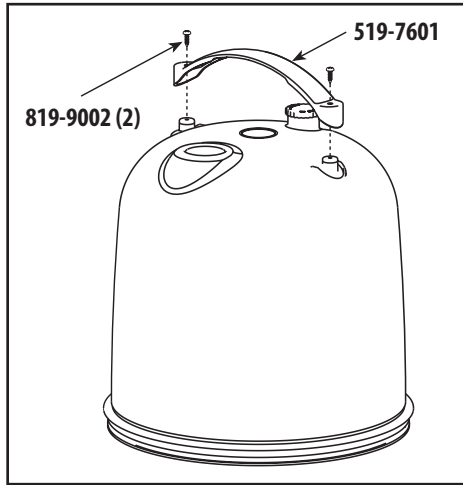
WARRANTY

**For product registration visit: www.waterwayplastics.com.
For Warranty questions or claims please contact point of purchase.**

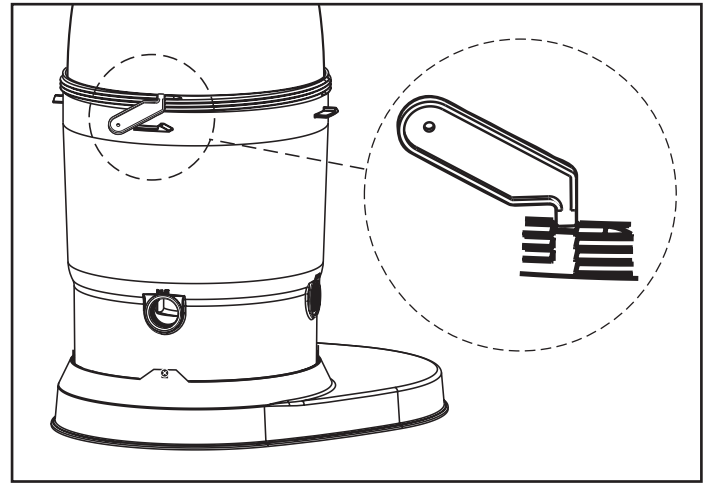


2200 East Sturgis Road, Oxnard CA 93030 • Phone 805.981.0262 • Fax 805.981.9403
www.waterwayplastics.com • waterway@waterwayplastics.com

INSTALLATION INSTRUCTIONS FOR ATTACHING CLEARWATER II FILTER LID HANDLE AND REMOVAL OF LID ASSEMBLY



Using a Phillips-head screwdriver, screw the two (2) provided Phillips-head screws through the handle assembly and into the filter lid, as shown. Make snug; DO NOT overtighten.



TO REMOVE LID ASSEMBLY:

Remove lock-nut assembly. Insert wrench in notch between filter body and lid assembly as shown. Twist wrench to separate.

INSTALLATION INSTRUCTIONS FOR ATTACHING CLEARWATER II FILTER BODY TO THE CLEARWATER II FILTER BASE

1. Align the drain port of the filter body to the base as shown.
2. Use one of the two self-threading screws provided. Screw it into the filter body as shown.
3. Using the other self-threading screw, screw it into the filter body on the opposite side.
4. Continue the installation of the filter according to the filter instructions.



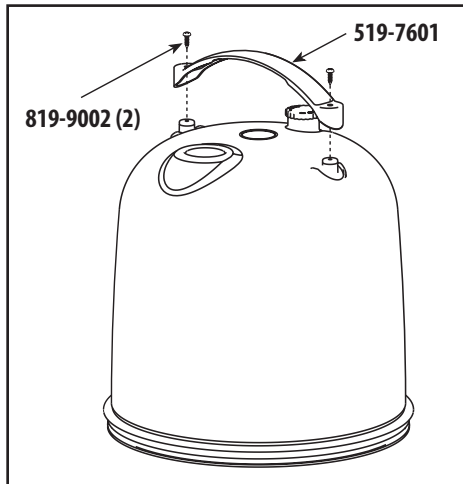
WARRANTY

For product registration visit: www.waterwayplastics.com.
For Warranty questions or claims please contact point of purchase.

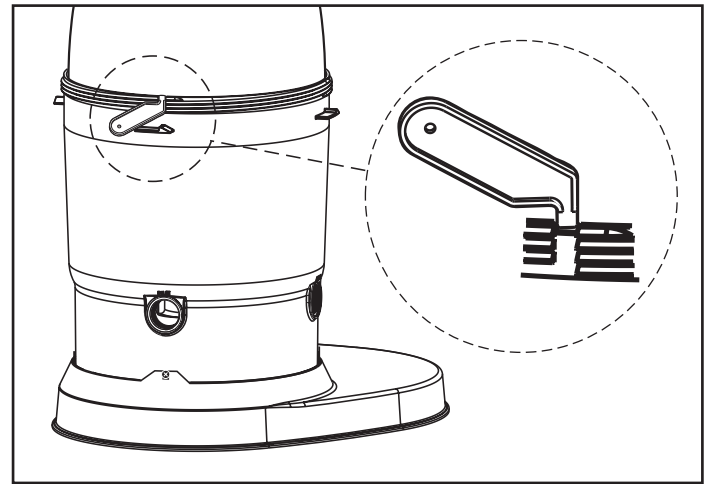


2200 East Sturgis Road, Oxnard CA 93030 • Phone 805.981.0262 • Fax 805.981.9403
www.waterwayplastics.com • waterway@waterwayplastics.com

Instructions d'installation pour la pose de la poignée du couvercle du filtre ClearWater II et l'enlèvement de l'assemblage du couvercle



Avec un tournevis Phillips, visser les deux vis Phillips fournies à travers la poignée dans le couvercle du filtre tel que montré (ne pas trop serrer).



Pour enlever le couvercle :

Enlever l'écrou autobloquant, insérer la clé dans la rainure entre le boîtier et le couvercle du filtre tel que montré et faites pivoter la clé pour les séparer.

Instructions d'installation pour la pose du boîtier du filtre Clearwater II à la base du filtre Clearwater II

1. Aligner la sortie du drain du boîtier du filtre avec la base tel que montré.
2. Utiliser une des deux vis à filetage automatique fournies et la visser dans le boîtier tel que montré.
3. Utiliser l'autre vis à filetage automatique et la visser dans le boîtier, du côté opposé.
4. Continuer l'installation du filtre selon les instructions du filtre.



GARANTIE

Pour l'enregistrement du produit, visitez : www.waterwayplastics.com.

Pour des questions de garantie ou réclamations, veuillez communiquer avec point de vente.



2200 East Sturgis Road, Oxnard CA 93030 • Phone 805.981.0262 • Fax 805.981.9403

www.waterwayplastics.com • waterway@waterwayplastics.com