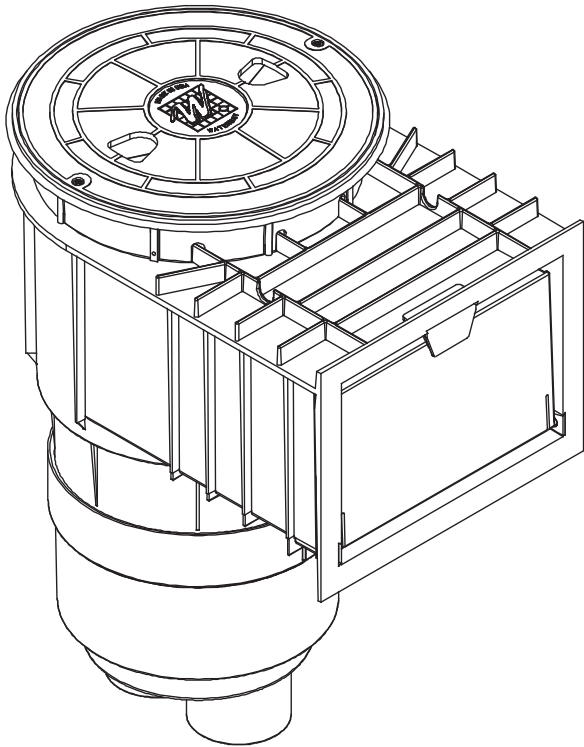


RENEGADE GUNITE SKIMMER OPERATING INSTRUCTIONS

Public Pool Skimmer - Model 540-6200



Maximum Flow Rate: 75gpm

NORMAL OPERATION

Water passes over the weir door, down through the basket and float valve assembly to the pump. The trimmer plate on the float valve assembly or the diverter plate are both open.

ADJUSTING THE SKIMMER FLOW

If the skimmer flow is too fast due to excessive flow rate from the pump, either rotate the float valve trimmer plate or the diverter plate over the port to the pump until required flow is achieved.

VACUUM/BRUSHING THE POOL

To vacuum the pool, first remove the float valve, then close the diverter plate over the main drain. Install the vacuum plate above the basket and connect the vacuum hose to the vacuum plate to proceed with the brushing operation.

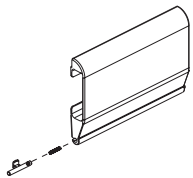
MULTIPLE SKIMMERS

Rotate the diverter plate at the bottom of the skimmer over the pump port to restrict the flow and balance the flow from each skimmer.

LOW WATER LEVELS

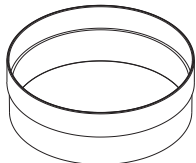
When the water level drops below the weir door, water will no longer flow from the pool through the upper part of the skimmer. The pump will evacuate the remaining water from the skimmer causing the float valve to close and water will flow from the main drain only, or until the water level is increased. The same can occur when and if the basket gets filled with leaves and debris.

RENEGADE GUNITE SKIMMER REPLACEMENT PARTS

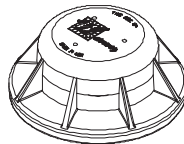


Replacement Weir Door

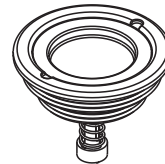
550-9950 White
 550-9951 Black
 550-9957 Gray
 550-9959-DKG Dark Gray
 550-9959-BEI Beige
 (bagged individually)



Extension Ring
 519-6570 White



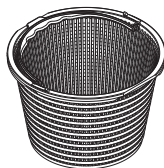
Float Valve Assembly
 542-6200 White



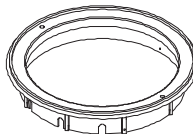
Equalizer Valve
 540-6010



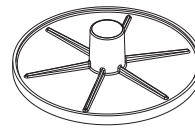
Lid Assembly
 540-7800WW-10 White
 540-7801WW-10 Black
 540-7807WW-10 Gray
 540-7808WW-10 Clear
 540-7809WW-B10 Beige
 540-7809WW-D10 Dark Gray



Skimmer Basket
 542-3240 White



Mounting Ring
 519-6420 White
 519-6427 Gray
 519-6429-BEI Beige



Vacuum Plate
 519-6480

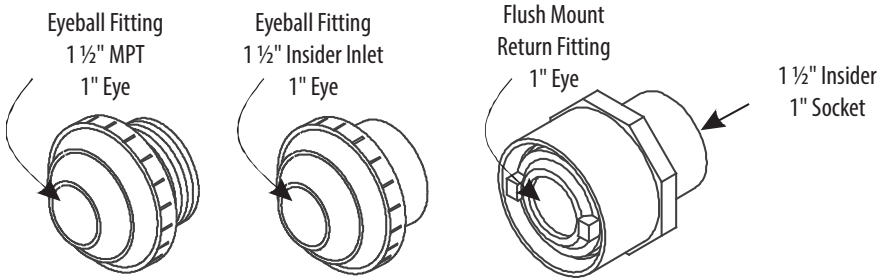
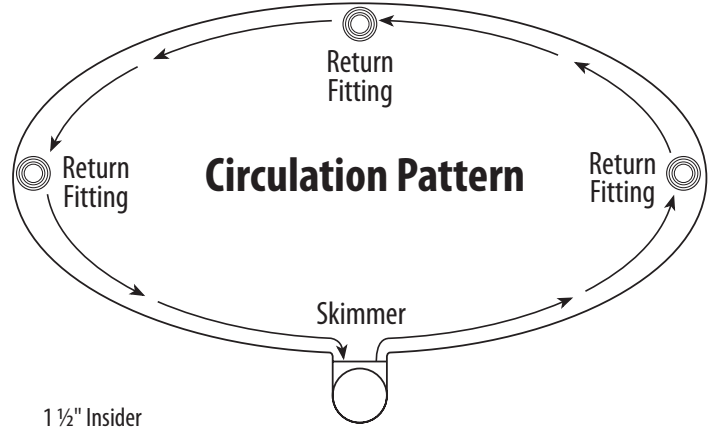


2200 East Sturgis Road, Oxnard CA 93030 • Phone 805.981.0262 • Fax 805.981.9403

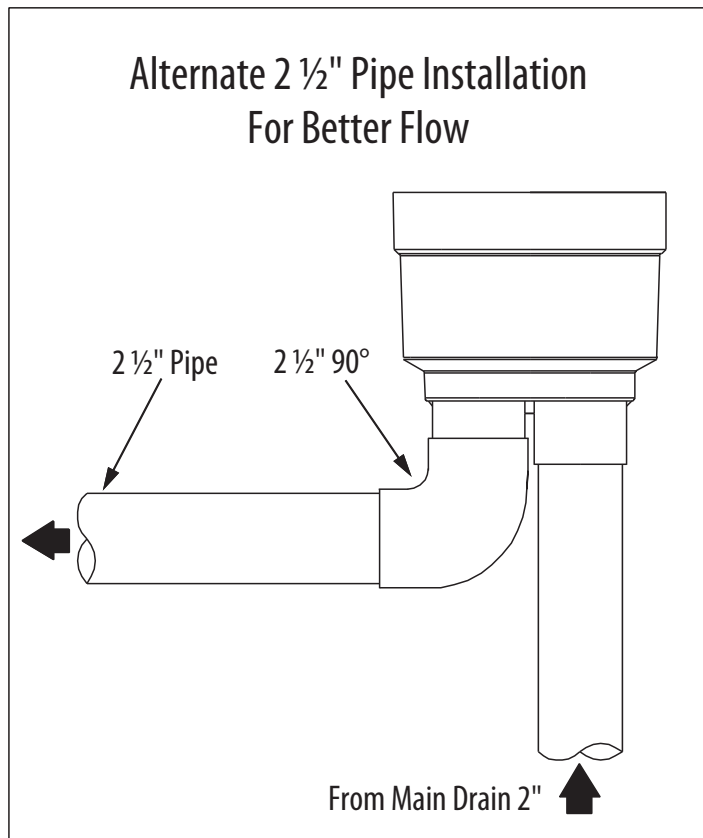
www.waterwayplastics.com • waterway@waterwayplastics.com

SKIMMER INSTALLATION

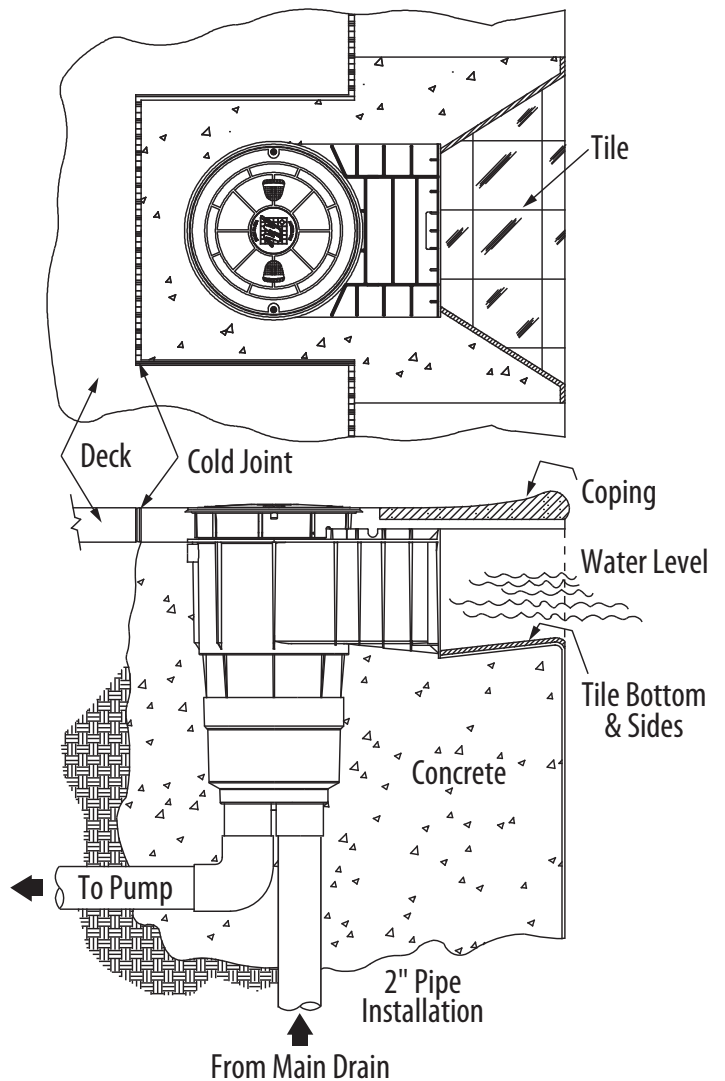
For the Skimmer to work most effectively, it must be positioned pertinent to the prevailing wind and drift, the pool shape, and the water circulation pattern. The function of directional inlet fittings will ensure the appropriate circulation pattern. See diagrams.



*Size suction pipe based on design flow rate such that the water velocity inside the pipe shall not exceed six feet per second



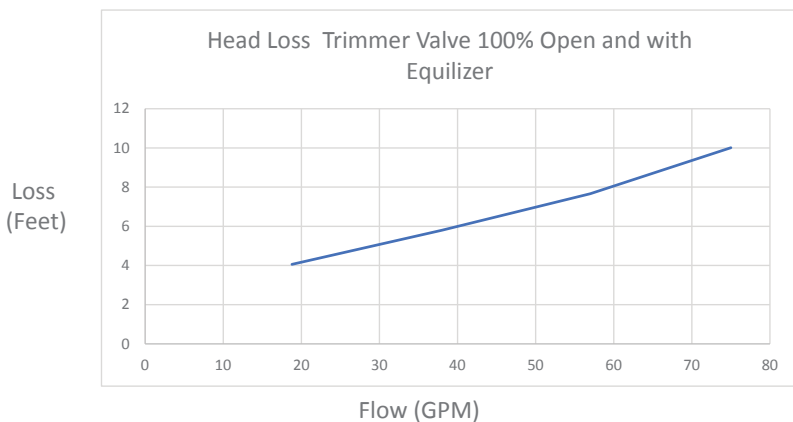
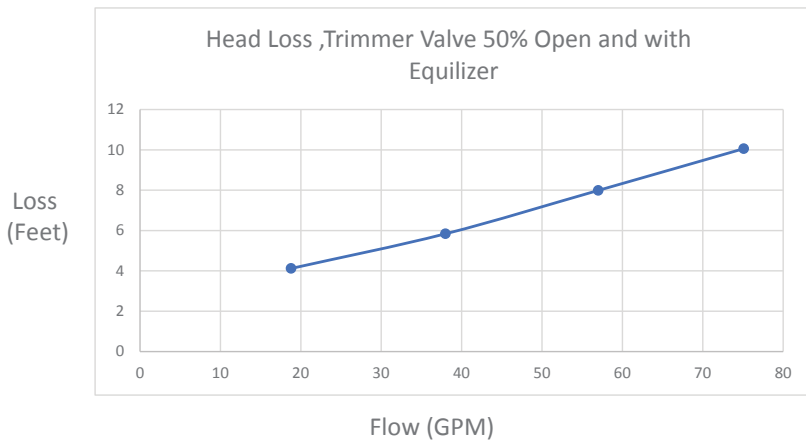
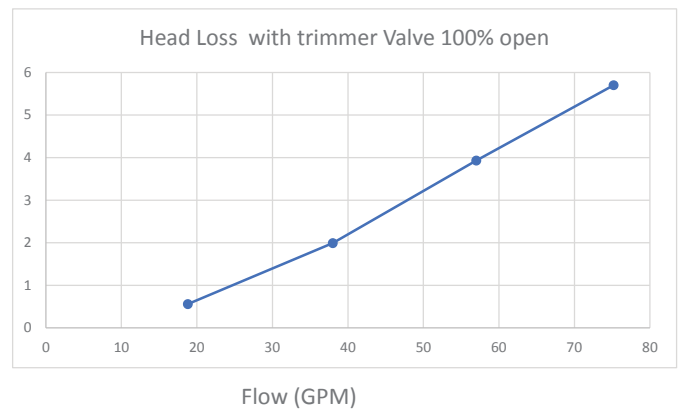
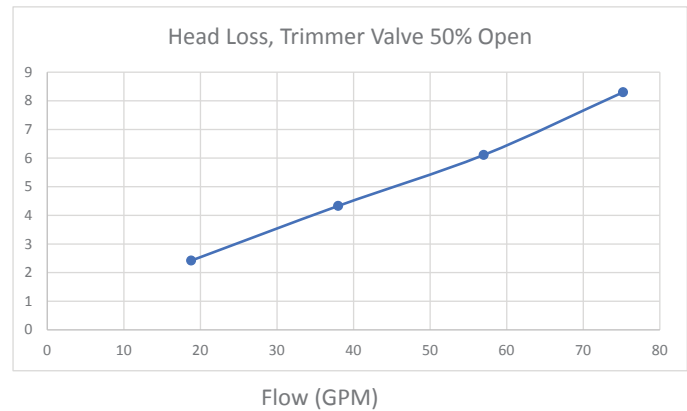
For 1 1/2" or FPT Skimmer (2" Spigot) best results are 1 1/2" pipe to drain and 2" 90° for pump.



WARNING

Hazardous suction, risk of hair entrapment, drowning or disembowelment

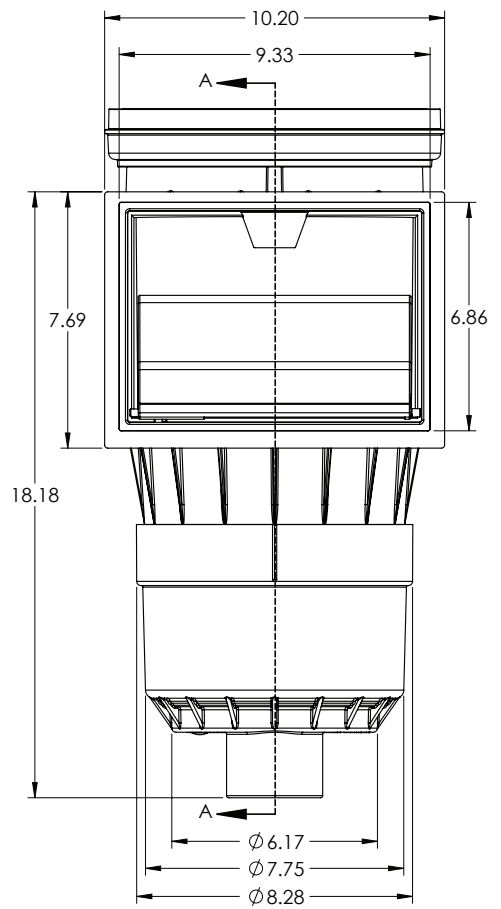
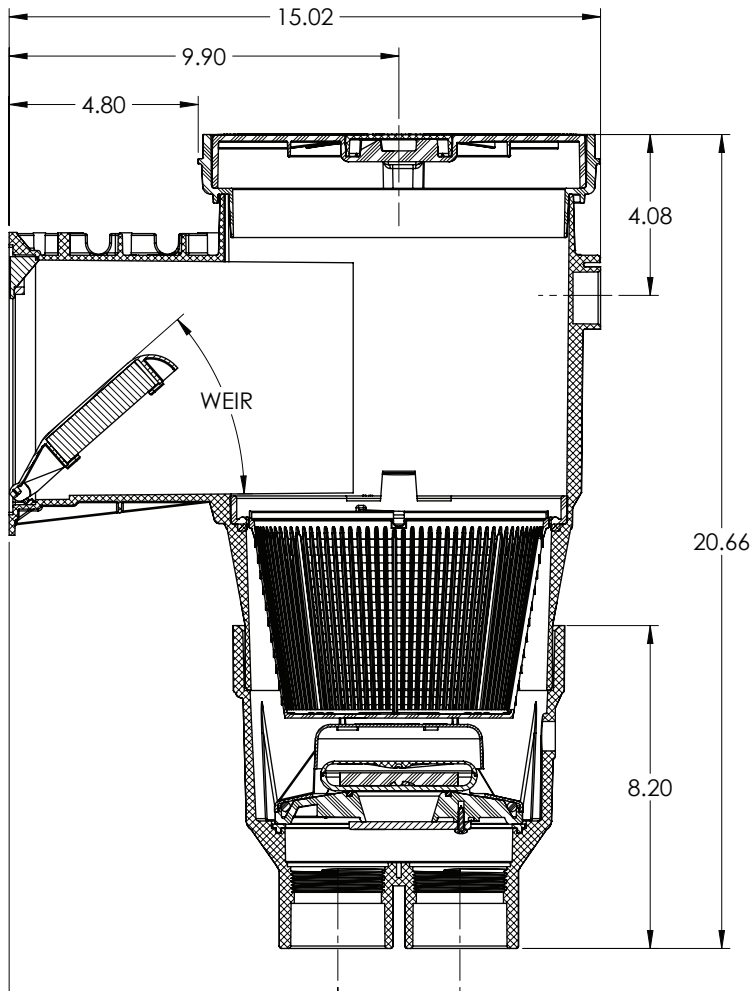
For the Skimmer to work most effectively, it must be positioned pertinent to the prevailing wind and drift, the pool shape, and the water circulation pattern. The function of directional inlet fittings will ensure the appropriate circulation pattern. See diagrams.



When an equalizer is used, the opening in the pool shall be protected by a VGBA compliant drain cover for 100gpm or greater.

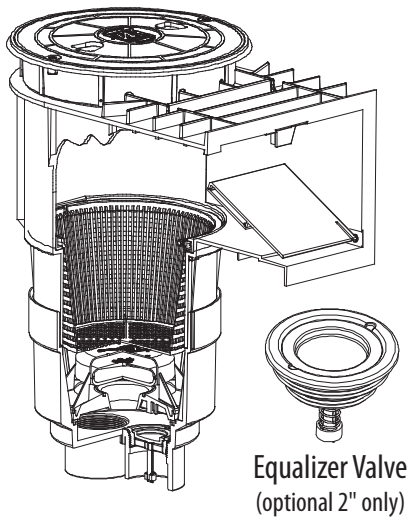
NOTE: Skimmer is not equivalent to a main drain. If not using a single unblockable drain. All pools, spas and hot tubs must have at least two main drains besides skimmers or a single unblockable drain.

SKIMMER DIMENSIONS



FOR COMMERCIAL:
Use Equalizer Valve and Float Valve.

SKIMMER WITH FLOAT VALVE & EQUALIZER VALVE (REQUIRED FOR COMMERCIAL USE)



Equalizer Check Valve Assembly screws into the main drain port and is used in conjunction with the Float Valve Assembly. If the water level drops below the skimmer opening, or the skimmer flow is obstructed, the float will automatically snap shut and the equalizer valve will open. This diverts all flow to the pump from the equalizer line and prevents airlock in the pump. The flow is balanced by the diverter plate located under the float valve assembly. When the pump is off, and the water level condition is corrected, the float valve will rise and the equalizer valve will open, allowing normal skimming operation when the pump is restarted.

TO VACUUM:

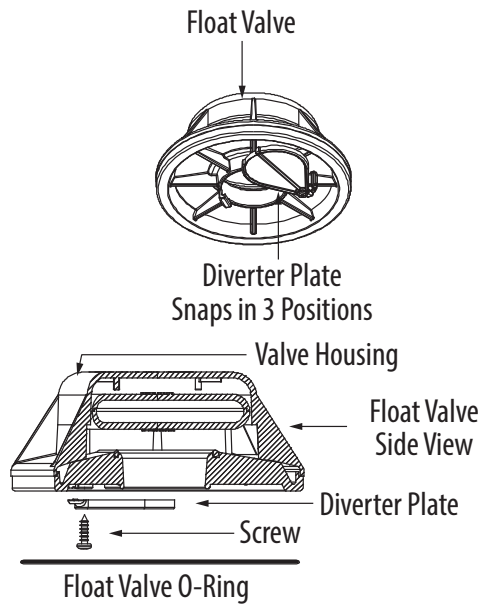
Select one convenient skimmer and remove the cover and Float Valve Assembly. Place the vacuum plate on the basket. Fill the vacuum hose with water and insert over the hose adapter. Throttle down the flow from the other skimmer(s) until desired suction is obtained through vacuum.

Replace damaged or worn weir, strainer basket skimmer lid, clean strainer as needed.

TO WINTERIZE:

Drain the pool to below skimmer inlet . Plug bottom ports, remove cover, gasket and float. Cover skimmer to prevent rain or snow intrusion and possible freeze.

Warning: Low water level can make it difficult to exit pool and may damage pump or other pool equipment. You must check your local code as some require equalizer line, other do not allow then and others leave it to the pool designer. When equalizer line is used the cover inside the pool must be VGBA compliant and have a flow rating higher than the skimmer flow rating.



MAINTENANCE

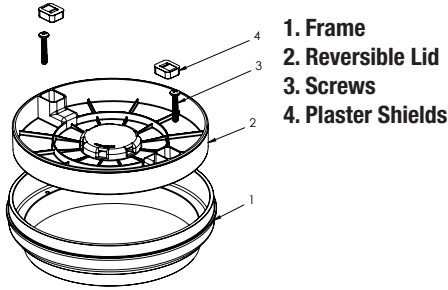
- Replace damage or worn weirs.
- Check for free swing movement on a regular basis.
- Periodically empty the strainer basket.
- Check the skimmer lid for cracks, chips and deterioration of plastic. Replace worn, cracked or damaged lids.

WARRANTY

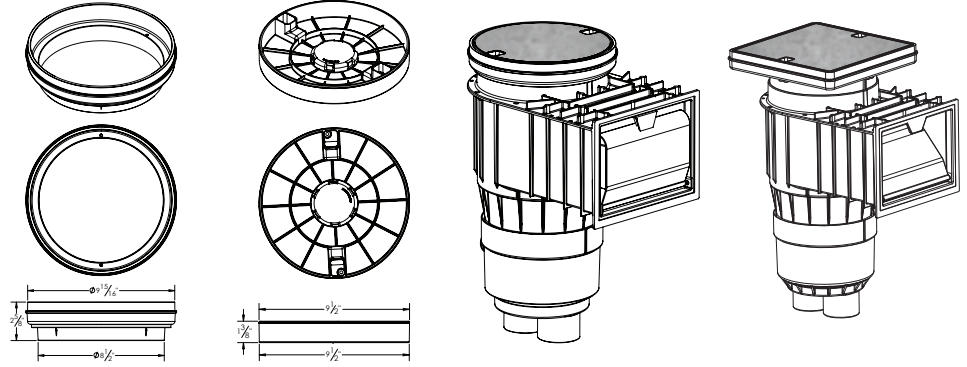
For product registration visit: www.waterwayplastics.com.
For Warranty questions or claims please contact point of purchase.

10" Reversible Lid for Skimmers and Autofillers Instructions

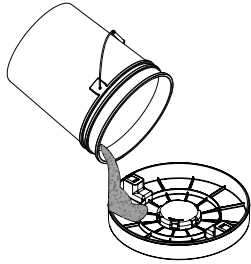
Read, then keep these instructions for future reference.
For more instructions, please consult your local building codes.



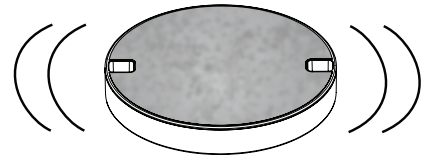
Fits all Waterway skimmers and autofillers and most standard skimmers (Aqua star®, Hayward®, CMP®, Sta-rite® & Pentair®)



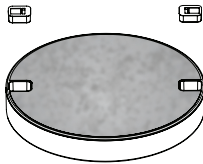
Read and follow all instructions



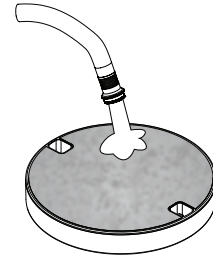
1. Insert supplied plaster shields. Pour the desired material into the fillable side of the lid.



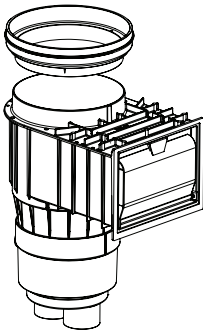
2. Agitate to settle and remove air bubbles in the material.



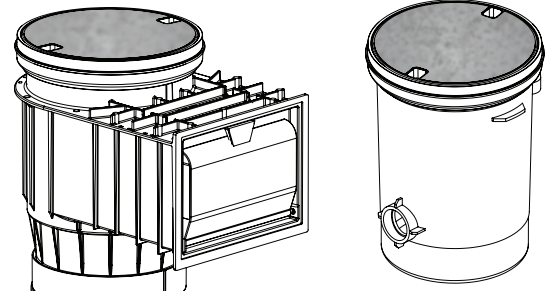
3. Remove plaster shields.



4. Gently wash to clean excess material from the lid, then let dry.



5. Place frame on skimmer and set to desired elevation and level.



6. Install and secure lid to the frame with provided screws.