

SUPER HI-FLO SUCTION INSTALLATION INSTRUCTIONS

For Model Number: SPC-3 V

**VGBA
2017**



WARNING:

IMPORTANT SAFETY INSTRUCTIONS. READ, UNDERSTAND, AND FOLLOW ALL WARNINGS AND INSTRUCTIONS. SAVE THESE INSTRUCTIONS.

Read and follow all instructions in this owner's manual and on the equipment. Failure to follow instructions can cause severe injury and/or death.

SOFA INSTRUCTIONS

When installing and using this equipment, basic safety precautions shall always be followed, including the following: IMPORTANT SAFETY INSTRUCTIONS. READ, FOLLOW, AND UNDERSTAND ALL INSTRUCTIONS AND WARNINGS.

Any modification that increases the flow rate of the circulation system shall require re-evaluation of the cover/grate and sump to ensure that the flow rating of the Suction Outlet Fitting Assembly (SOFA) is not exceeded.

Missing, broken, or cracked cover/grates, sumps, mud-frames, or any other SOFA component shall be replaced before bathers are allowed to use the pool.

**Loose cover/grates shall be reattached before bathers are allowed to use the pool.
SAVE THESE INSTRUCTIONS.**

IMPORTANT SAFETY INSTRUCTIONS



WARNING - SUCTION ENTRAPMENT HAZARD

Suction in suction outlets and/or suction outlet covers which are damaged, broken, cracked, missing, or unsecured can cause severe injury and/or death due to the following entrapment hazards:

Hair Entrapment: Hair can become entangled in suction outlet cover.

Limb Entrapment: A limb inserted into an opening of a suction outlet sump or suction outlet cover that is damaged, broken, cracked, missing, or not securely attached can result in a mechanical bind or swelling of the limb.

Body Suction Entrapment: A negative pressure applied to a large portion of the body or limbs can result in an entrapment.

Evisceration / Disembowelment Entrapment: A negative pressure applied directly to the intestines through an unprotected suction outlet sump or suction outlet cover which is damaged, broken, cracked, missing, or unsecured can result in evisceration / disembowelment entrapment.

Mechanical Entrapment: There is potential for jewelry, swimsuit, hair decorations, finger, toe, or knuckle to be caught in an opening of a suction outlet cover resulting in mechanical entrapment.

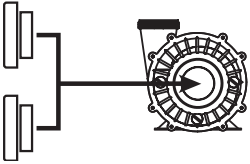
USE ONLY GENUINE WATERWAY REPLACEMENT PARTS.



2200 East Sturgis Road, Oxnard CA 93030 • Phone 805.981.0262 • Fax 805.981.9403

www.waterwayplastics.com • waterway@waterwayplastics.com

TO REDUCE THE RISK OF ENTRAPMENT HAZARDS:



- Installation of a vacuum release system, which relieves entrapping suction, is recommended.
- SOFA(s) should be chosen so that the individual suction system flow rate is >pumping system's MAX system flow rate.
- Never use a pool or spa if any suction outlet component is damaged, broken, cracked, missing, or not securely attached.
- Replaced damaged, broken, cracked, missing, brittle, or not securely attached suction outlet components immediately.

All other applicable National, State, and local codes and requirements shall be followed.

WARNING



Failure to remove pressure test plugs and/or plugs used in winterization of the pool/spa from the suction outlets can result in an increased potential for suction entrapment as described on the previous page.



Failure to keep suction outlet components clear of debris, such as leaves, dirt, hair, paper and other material, can result in an increased potential for suction entrapment as described on the previous page.



Suction outlet components have a finite life. The cover/grate should be inspected frequently and replaced at least every seven years, or if found to be damaged, broken, cracked, missing, or not securely attached.



The SPC-3 V fitting is rated at 180 GPM when 2 1/2" wall fitting 215-3610 is used respectively, and 160 GPM when 2" wall fitting 215-3620 is used respectively. If the fitting is missing or broken, replace with a fitting of equivalent rating or higher. Use of a lower rated suction fitting could result in entrapment of the body which could result in serious injury including drowning.



Do not use or operate spa/hot tub if this suction fitting is missing, broken or not secured per instructions. The suction fitting is intended to prevent entrapment of the body. Use of the spa hot tub with a missing, broken or improperly secured suction grate may result in serious personal injury including drowning.

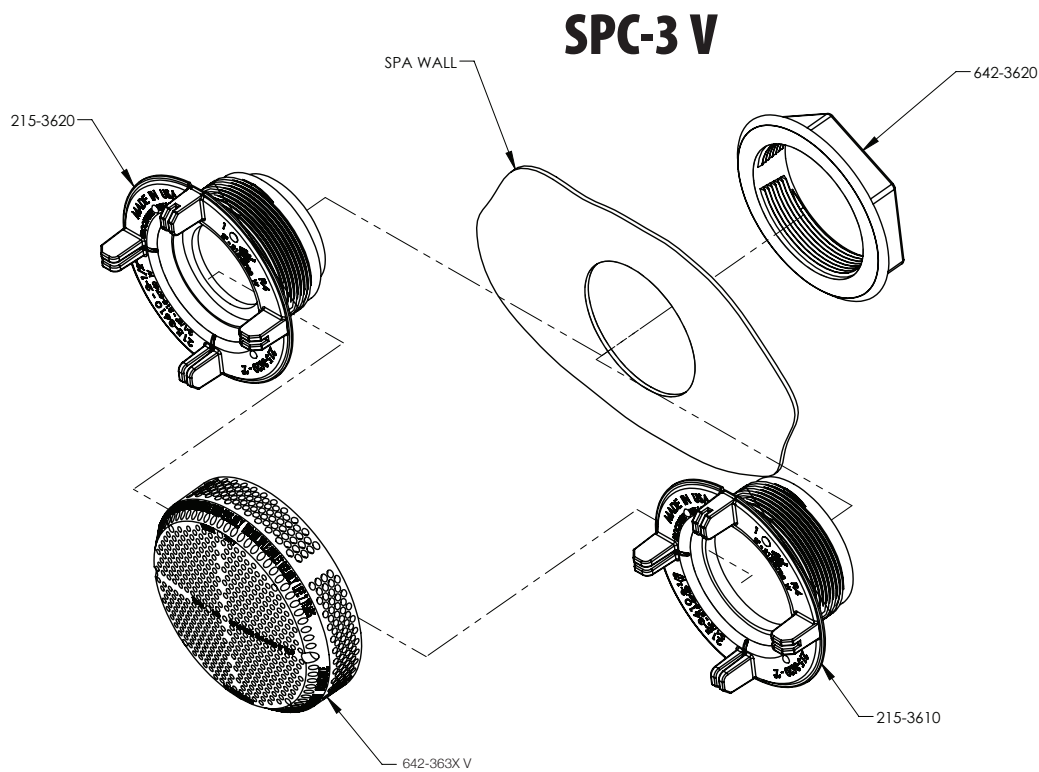


When the spa or hot tub is in operation, suction is created at this fitting. Users of the spa or hot tub must be instructed not to come in contact with this fitting in such a way as to block its orifice. If a user of the spa or hot tub blocks this fitting with his/her body, serious personal injury or drowning may occur.

- Suction cover life is 7 years, the sump wall fitting life is 14 years, the rest of the components have 25 year life. Cover and all SOFA components shall be replaced on or before the end of service life.
- The use of adhesives or other attachment methods that prevent access to suction piping or SOFA components is prohibited.
- Please refer to Head Loss Curve.
- This is a blockable SOFA as marked on the suction cover.
- Hand tighten screws, DO NOT USE POWER TOOLS TO INSTALL FASTENERS. Ensure proper thread engagement to prevent cross threading. Torque to 8 in-lbs.
- Ensure proper flatness of installation surface.
- When mud-rings, sump and other components are held in place by the interior surface of the pool, the surface should be free of deterioration or voids
- Damaged Fasteners shall be replaced with original parts, and must be grade 316 stainless steel. The wall fitting shall be inspected for the presence of any CRACK or material loss. Cracked/damaged mud rings, sumps, or wall fittings shall be replaced.
- No unauthorized field modifications. Unauthorized modifications will void certification.
- This product is intended for use on gunite, vinyl, fiberglass, and roto-molded pools, spas and hot tubs.
- No modification shall be made to SOFA structure or flow path unless the configuration has been certified as a new SOFA.
- Service life begins the month and year in which SOFA components are installed with or without water.
- For winterization, remove the cover and plug the inlet.
- Use screw driver for service and removal of fasteners.
- Observe cover/grate/fasteners for damage each operational day.
- During installation ensure components and fastener receptacles are clean, free of debris and obstructions.
- Hand-check cover/grate for snugness to the sump/frame/wall fitting after installation.
- SOFA installation components with crack, chunks, or pieces broken off, stripped screw holes, and/or unusual discoloration should be replaced.
- The mounting surface or interior surface of the pool should be free of deterioration.
- Start installation of screws by hand to ensure proper thread engagement and to prevent cross-threading.
- Do not exceed the safe flow rating of SOFAs as listed.
- All SOFAs should be installed in accordance with Waterway installation instructions.
- Under no condition should SOFA special flow rating be exceeded while the pool is open.
- The capacity of secondary circulation system (skimmer, cutters, etc) should not be included when evaluating an individual suction system flow rating.
- For the flow rating for pools with multiple blockable SOFAs in one body of water without isolation valves: combine all SOFAs, minus the flow rate of one, if all are not equal use the larger flow rate.
- “Blockable” SOFAs in new pools shall be installed in multiple-SOFA system ONLY.
- “Blockable” SOFAs in existing pools with single SOFA systems shall be installed with an additional anti-entrapment device or system.
- SOFA(s) should be chosen so that the individual suction system flow rate is greater than the pumping systems maximum system flow rate.
- The flow rating for existing pools with a single blockable SOFA is the flow rating of the SOFA when installed with an additional device to prevent suction entrapment.
- A single blockable SOFA in a system that does not have an additional device or systems shall result in a flow rate of zero.

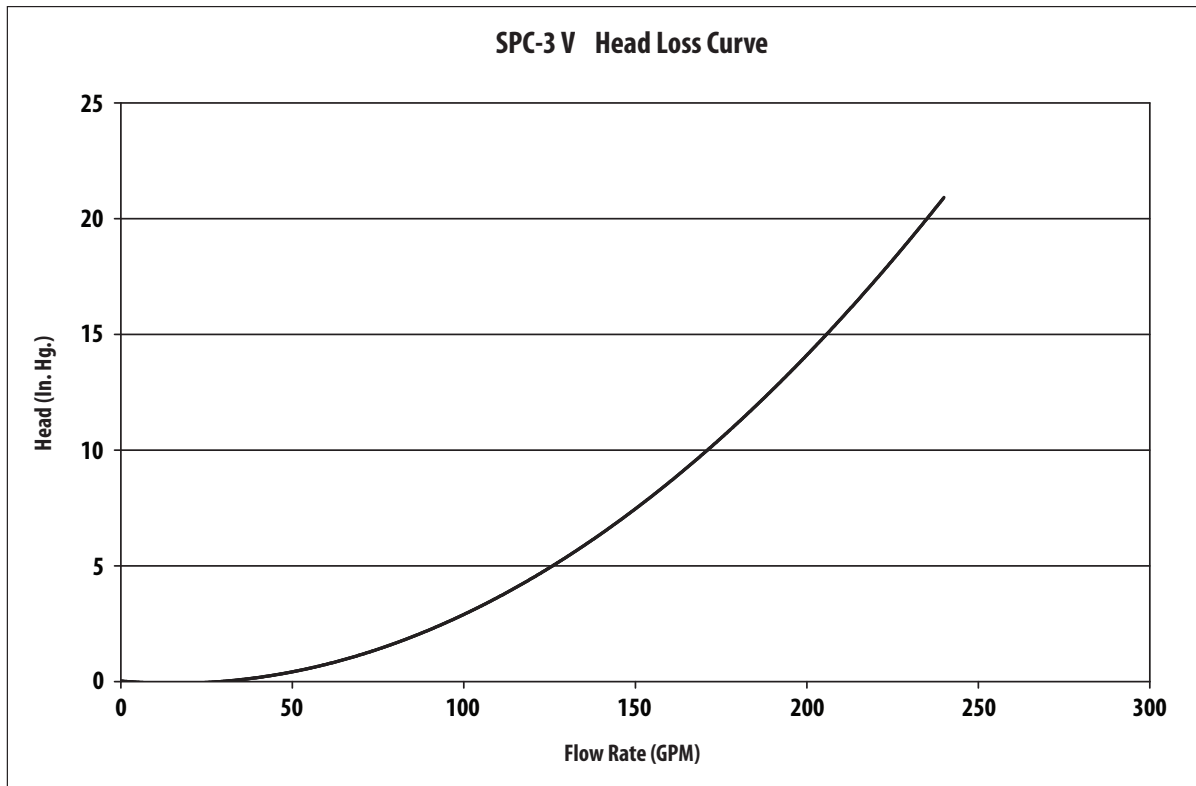
INSTALLATION INSTRUCTIONS

1. Locate and cut a 3 1/4" hole in a vertical wall of the spa. Be sure the area located is flat and spa laminate thickness is uniform.
2. Insert wallfitting with gasket through hole.
3. Apply a bead of silicon against the back wall of the spa and around the threads of the wall fitting . Avoid getting sealant on gasket.
4. Install nut and tighten. Be sure wallfitting screw studs are horizontal to bottom of spa.
5. Glue elbow supplied with fitting into wallfitting. Be sure to orient the elbow in the required direction while gluing.



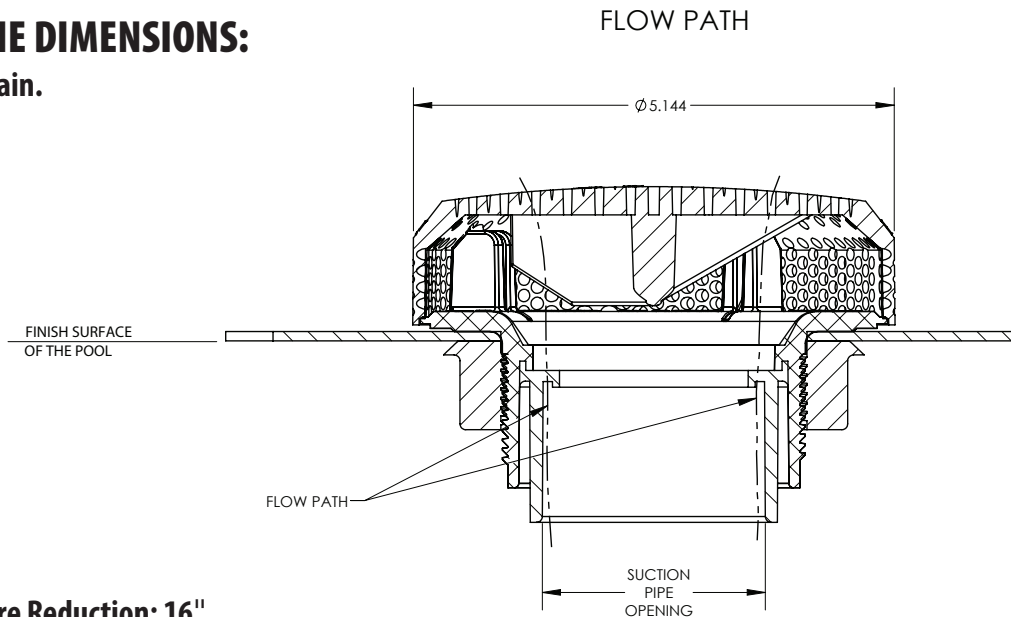
WARNING: This is a PVC to PVC connection. Improper gluing or improper cement selection can cause leaks at glued connection which can result in property damage.

NOTE: The size of the plumbing shall not be reduced for at least 16" after the point of connection to shown wallfittings.



FLOW PATH ZONE DIMENSIONS:

This is a sumpless drain.



PVC Pipe: 2 1/2" or 2"

Minimum Length Before Reduction: 16"

Use Only Supplied Wall Fitting: (215-3610) for model SPC-3 V.

NOTE: Use of field fabrication sumps is not permitted

WARRANTY

For product registration visit: www.waterwayplastics.com.

For Warranty questions or claims please contact point of purchase.

Installation Information Label

5" Super Hi-Flo Suction

Cover/Grate Model#: SPC-3 V

Life & years from the date of installation: 7 Years

Flow Ratings

Wall Flow Rate: 232 GPM when used with vacuum break fitting

Wall Flow Rate: 180 GPM when used without vacuum break fitting

Installer shall fill-in the location of the installed SOFA and the cover/grate Installation before giving this information label to the pool owner. This Installation Information Label shall be permanently posted as near feasible to the pump control, and that a copy of this information be given to the pool owner, to be kept with other important pool related documents.

Location of the Installed SOFA, such that it can be successfully identified in the future:

The date the cover/grate was installed in the pool, where the month and year indicators on the label are easily activated in the field:

5" Super Hi-Flo Suction: SPC-3 V

Wall Flow Rate: 232 GPM when used with vacuum break fitting

Wall Flow Rate: 180 GPM when used without vacuum break fitting

Removable Tags for Blockable Cover/Grate Packaging

"READ, FOLLOW, AND UNDERSTAND ALL INSTRUCTIONS AND WARNINGS". "This VGBA Suction outlet has an installation specific flow rating and this product SHALL NOT be installed on a pumping system that is capable of exceeding this limit, which varies based on the number and location of installed suction outlets. READ and FOLLOW this section of the included installation instructions explaining how to calculate the suction system flow ratings and that of the installed pumping system.

⚠ "WARNING! This is a BLOCKABLE VGBA Suction Outlet that must ONLY be installed in a multiple VGBA Suction Outlet System." (9.8.2.1)

This is a BLOCKABLE VGBA Suction Outlet. It must ONLY be installed in a suction system that also includes one or more of the following devices or systems designed to prevent suction entrapment, when and if the suction cover marked for single use and used as the sole source of water for a single suction outlet :

- Safety Vacuum Release System
- Suction Limiting Vent System
- Gravity Drainage System
- Automatic Pump Shut-Off System
- Drain Disablement
- Other Systems determined by Consumer Product Safety Commission to be equally effective as , or better than above-mentioned systems at preventing or eliminating the risk of injury or death associated with pool drainage system.

THIS TAG/LABEL IS TO BE CUT & REMOVED BY THE INSTALLER ONLY

CERTIFICATION OF COMPLIANCE

5" SUPER HI-FLO SUCTION: SPC-3 V

Contents: 1



Model Number: **SPC-3 V**

Description: **Super Hi-Flo Suction**

Size: **5"**

Type: **Blockable**

Life: **7 year**

Open Area: **9.02 in²**

GPM @ 1.5 fps: **42**

Wall Flow Rate: **180 GPM**

with 215-3610, 2 1/2" wall fitting

Wall Flow Rate: **160 GPM**

with 215-3620, 2" wall fitting

Place of

Manufacturer: **Oxnard, CA**

For Date of Manufacture please see the manufacture mark on product



**VGBA
2017**



This product has been tested, certified and listed to the requirements of ANSI/APSP - 16. 2017 per §1404 of the Virginia Graham Baker (VGBA 2017) Pool and Spa Safety Act. Certified by: Underwriters Laboratories, Inc., 2929 E. Imperial Highway, Suite 100, Brea, CA 92821-6729

This product is certified to comply with §1404 of the Virginia Graham Baker (VGBA 2017) Pool and Spa Safety Act. A copy of the test results for the above may be found at www.waterwayplastics.com or go to: www.ul.com. This product is manufactured by Waterway Plastics, Oxnard, CA 93030



2200 East Sturgis Road Oxnard, California 93030 • Ph. 805.981.0262 • Fax 805.981.9403
waterway@waterwayplastics.com • www.waterwayplastics.com