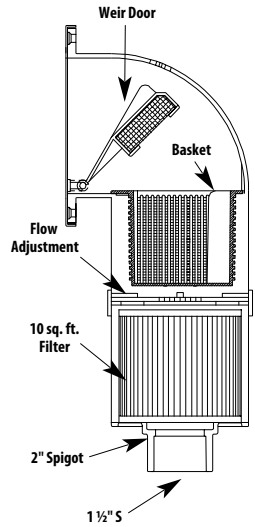
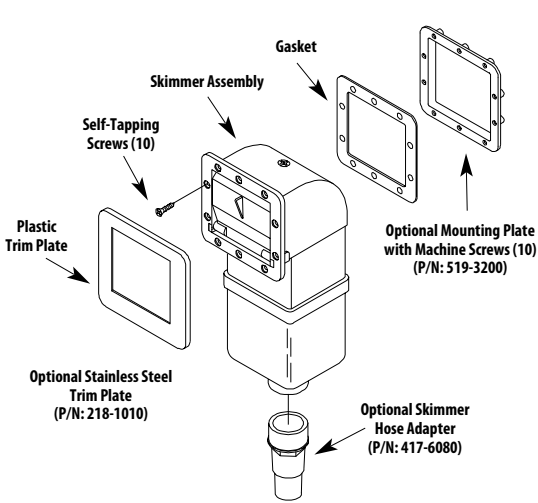
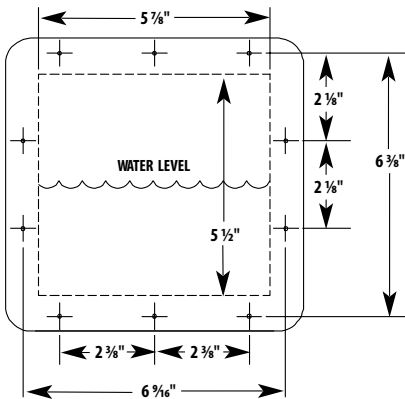


10 SQ. FT. SPA SKIMMER FILTER INSTALLATION INSTRUCTIONS



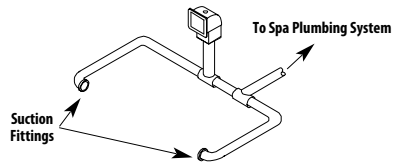
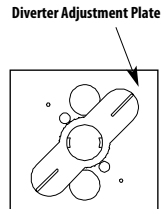
HOLE PATTERN DIMENSIONS HOLE PATTERN FOR MOUNTING SPA SKIMMER



Water level should be at mid-point of wall opening.

FLOW ADJUSTMENT

Remove basket. Turn diverter plate clockwise to increase flow. Turn counter clockwise to reduce flow.



WARRANTY

For product registration visit: www.waterwayplastics.com.
For Warranty questions or claims please contact point of purchase.



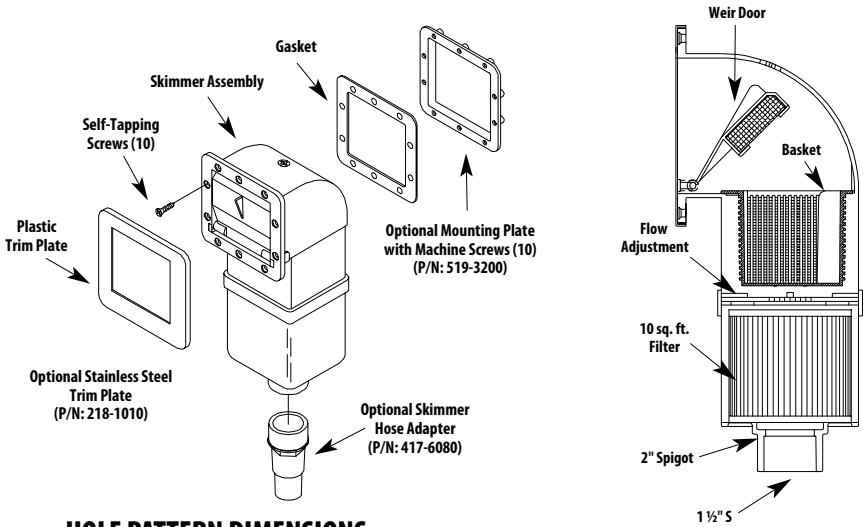
Designed,
Engineered &
Manufactured
in the USA.



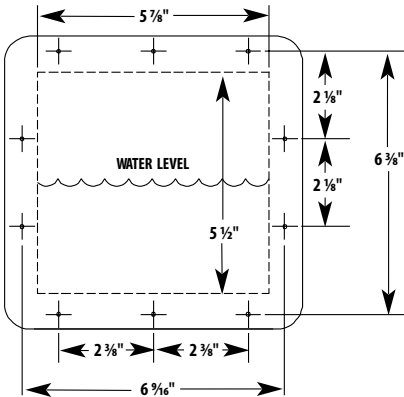
2200 East Sturgis Road, Oxnard CA 93030
Phone 805.981.0262 • Fax 805.981.9403

www.waterwayplastics.com • waterway@waterwayplastics.com

10 SQ. FT. SPA SKIMMER FILTER INSTALLATION INSTRUCTIONS



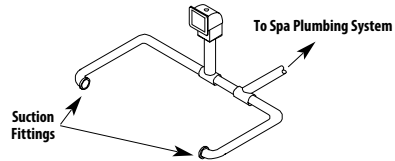
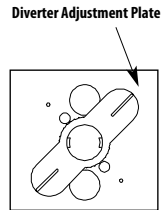
HOLE PATTERN DIMENSIONS HOLE PATTERN FOR MOUNTING SPA SKIMMER



Water level should be at mid-point of wall opening.

FLOW ADJUSTMENT

Remove basket. Turn diverter plate clockwise to increase flow. Turn counter clockwise to reduce flow.



WARRANTY

For product registration visit: www.waterwayplastics.com.
For Warranty questions or claims please contact point of purchase.



Designed,
Engineered &
Manufactured
in the USA.



2200 East Sturgis Road, Oxnard CA 93030
Phone 805.981.0262 • Fax 805.981.9403

www.waterwayplastics.com • waterway@waterwayplastics.com