



Welcome and thank you for choosing Waterway Plastics.

We invite you to review our new 2011 Waterway Whirlpool Bath Products Buyer's Guide. Waterway is entering its 38th year of industry innovation. This year marks a new addition to the Pool & Spa family of products with a complete new line of Whirlpool Bath Products. Using our vast knowledge of Spa product innovation, we created a "New Age" plumbing system for Whirlpool Baths and Walk-In-Tubs. This new system is called SmartPlumb™ and uses state-of-the-art manifolds for the application of vinyl tubing and Shur-Grip™ hose to completely balance the pressure to all Jets. We applied our five year history of the SmartPlumb spa systems to complete the Whirlpool Bath version.

This buyer's guide will feature: 5 different Jet sizes with 11 plumbing configurations and 22 therapy effects, Designer Safety Suctions, Air Controls, Air Buttons, Select-A-Speed Controls and the highest performing bath pumps named the Genesis Generation™. In addition we offer Aroma Therapy Dispensers, Chromotherapy Mood Lighting and 36 specialty fittings ranging from 3/8" to 2". Waterway also manufactures a variety of vinyl tubing, Flex hose and Shur-Grip™ hose sizes.

During 2011, Waterway will be adding many new and innovative products to our Whirlpool Bath line. Please visit our website, www.waterwayplastics.com, to see any new additions throughout the year or call 805-981-0262 to have a product announcement sent to you via e-mail or fax. A digital version of this Buyer's Guide is also available on our website.

We wish you much success in 2011 and we appreciate your loyalty as our partner in business.



For information or assistance, contact:

Waterway Plastics Customer Service Department: 805-981-0262
Waterway Plastics, 2200 East Sturgis Road, Oxnard, CA 93030
Telephone: 805-981-0262 • Fax: 805-981-9403 • Toll Free Fax: 888-772-5387
www.waterwayplastics.com • waterway@waterwayplastics.com

Product Disclaimer:

All illustrations, photographs and specifications in this publication are based on product information available at the time of printing. Waterway reserves the right to make changes at any time, without giving prior notice, to colors, materials, specifications, part numbers and prices and to discontinue product or product components.

Ordering:

To ensure prompt and proper shipment, please order by product part number and description. Be sure to include the correct (last digit) number for the color desired. Specially quoted product numbers must not be changed (even by one digit), or the pricing will not be recognized. Products and prices are subject to change without notice.

All orders must be a minimum of \$50.00.

Terms:

All sales are cash with order until credit is established, after which, terms are net 30 days.

Shipments:

All shipments are F.O.B. Oxnard, California.

Claims:

All claims must be made within 30 days after receipt of merchandise.

Returns:

All returns are subject to the Waterway Limited Warranty Policy and written approval, and must be accompanied by an "RGA" (Return Goods Authorization) form or number issued by Waterway prior to returning the merchandise. Unauthorized returns will not be accepted. Freight must be prepaid. Waterway will not accept returned merchandise after 90 days of shipment and/or not in original resalable condition.

Information Regarding Lost or Damaged Merchandise:

Our responsibility for any shipment ceases when the carrier signs the Bill of Lading. All shipments should be inspected immediately upon arrival. If cartons, packages or crates are received in short or damaged condition, it is important that the driver be notified and the recipient should insist on a notation of the loss or damage across the face of the freight bill.

If there is no indication of damage on the freight bill, no claim can be enforced against the carrier.

If concealed loss or damaged merchandise is discovered, notify the carrier immediately and request an inspection, and retain the shipping carton/container. A concealed damage report must be made within 15 calendar days of delivery of the shipment, or the carrier will not entertain any claim for the loss. The carrier agent will perform an inspection and will normally grant a concealed damage notation. IF THE CARRIER RECEIVES A CLEAR RECEIPT FOR THE MERCHANDISE THAT HAS BEEN DAMAGED IN TRANSIT, IT IS AT THE RECIPIENT'S OWN RISK AND EXPENSE.

Waterway is willing to assist in collecting claims for loss or damage, but our willingness does not make us responsible for collection of claims or for the replacement of merchandise.

For additional information or assistance in this regard, please contact:

Waterway Plastics
Customer Service
805-981-0262



Waterway Limited Warranty

All products of Waterway carry warranties. The nature and length of the warranty will depend upon the product and are set forth below:

All plastic parts such as jets, valves, skimmers, manifolds, suction, lights and other plastic components manufactured by Waterway are warranted to be free of defects in workmanship and materials for a period of 36 months from the date of purchase. This warranty does not cover o-rings, light bulbs, filter cartridges, D.E. grids, pressure gages or any parts not manufactured by Waterway.

All speakers manufactured by Waterway are warranted to be free of defects in workmanship and materials for a period of 12 months from the date of manufacture.

All pumps equipped with a 56-frame motor are warranted to be free of defects in workmanship and materials for a period of 36 months from the date of motor manufacture (pump seals warranty for 12 months, only replacement seals will be sent).

All pumps equipped with a 48-frame motor are warranted to be free of defects in workmanship and materials for a period of 24 months from the date of motor manufacture (pump seals warranty for 12 months, only replacement seals will be sent).

The Mustang, Iron Might, Tiny Might, Hi-Flo and Center Discharge pumps are warranted to be free of defects in workmanship and materials for a period of 18 months from the date of motor manufacture (pump seal warranty for 12 months, only replacement seals will be sent).

Genesis Generation Whirlpool Bath pumps are warranted to be free of defects in workmanship and materials for a period of 24 months from the date of motor manufacture (pump seals warranty for 12 months, only replacement seals will be sent).

The Santanna and Stealth blowers are warranted to be free of defects in workmanship and materials for a period of 12 months from the date of installation. This includes the motor.

All thermoplastic molded filter bodies and rotational molded sand filter bodies have a warranty of three years from the date of purchase on a prorated life basis (to the original owner only).

All PVC Hose and Tubing are warranted to be free from defects in material and workmanship under normal use and service for a period of two (2) years from the date of shipment by Waterway.

Merchandise damaged as a result of carelessness, improper handling, rodents, insects (termite) or misapplication is specifically excluded from this warranty.

If within the warranty period, any such products shall prove defective, it shall be repaired or replaced at Waterway's option as follows:

1. The original retail purchaser shall first contact the point of purchase or the installing dealer, as soon as possible after discovery of the defect, but in no event later than the expiration date of this warranty. Processing of warranty claims should be initiated by the point of purchase or the installing dealer.
2. A Return Good Authorization (RGA) form must be completed and submitted to Waterway by the point of purchase or the installing dealer or OEM.
3. Waterway will issue an RGA for eligible items that are not out of their warranty period.
4. Waterway will advise the address to which the defective items may be shipped. The customer must pay for all shipping charges (no product shall be returned to Waterway without prior consent).
5. After receipt of the products, supporting documents and verification of the nature and cause of the defect, Waterway will replace or repair the defective products or issue warranty credit for eligible items at Waterway's option.

In no event shall Waterway be liable for labor or material charges in connection with removal or replacement of the defective products. Waterway is not liable for incidental or consequential damages, loss of profit, loss of time, inconvenience and incidental expenses.

This warranty is limited and shall be in lieu of any other warranties, expressed or implied, including but not limited to, any implied warranty of merchantability or fitness for a particular purpose. There are no other warranties that extend beyond the description of the face hereof. The liability of Waterway arising out of its supply of said products, or their use, shall not in any case exceed the cost of correcting defects in the products as above set forth.

Although Waterway Plastics provides all information, recommendation, or advice regarding its products in good faith, each user bears full responsibility for making its own determination as to suitability of Waterway's products, recommendations, or advice for its own particular use. Each user must identify and perform all tests and analysis necessary to assure that its finished products incorporating Waterway's parts or products will be safe and suitable for use under end-use conditions. This includes but not limited to verification of exposure to ambient operating conditions, adhesives, foams and any other type chemicals during the assembly or the end use conditions. Due to environmental conditions out of our control, we are unable to warranty discolorations or corrosion on stainless steel parts.

This warranty does not apply if the failure is caused or contributed to by any of the following: improper handling, improper storage, improper installation, abuse, unsuitable application of the product, lack of reasonable and necessary maintenance, improper packaging for return, or repairs made or attempted by any other company, which in the judgment of Waterway adversely affects the product's performance and reliability. Waterway reserves the right to change its warranty at any time.

Some states do not allow the exclusion or limitation of incidental or consequential damages, so the above limitation or exclusion may not apply to you. This warranty gives you specific legal rights, and you may also have other rights, which vary from state to state.



HOLE SAW SIZES



Indicates part of the SmartPlumb™ System

JETS

300-LS / 350-XLS	2 ¼"
200-LS	1 ½"
CAD and 180°	2 ½"
150-CS	1 ⅙"
250-CS / 250-ES	1 ¾"

SUCTIONS

Designer Series Wall Fitting	2 ¾"
------------------------------	------

AIR COMPONENTS

Air Button	1 ¼"
Air Control	1 ¼"
Air Control - ½" Top Access	¾"
Air Injector - Lo-Pro	¾"

LIGHTS

Light – 3"	2 ⅝"
------------	------

SPECIALTY ITEMS

Aroma Therapy Canister Tee	2 ⅞"
Cup Holder	3 ¾"
Waterway Cascade	(2) x 7/8"



Bath PumpsP-1

Jets J-1

Air Buttons & Controls A-1

SuctionsS-1

ValvesV-1

***SP* SmartPlumb™**SP-1

MiscellaneousM-1

FittingsF-1

Hose & TubingHT-1

Technical InformationTI-01

IndexI-01



5.5A GENESIS GENERATION PUMP

NEMA CORD		NEMA CORD & AIR SWITCH	
Part No.	Bulk Qty.	Part No.	Bulk Qty.
321FF10-0101	18	321FF10-0150	18
321FF10-1101	1	321FF10-1150	1



7.5A GENESIS GENERATION PUMP

NEMA CORD		NEMA CORD & AIR SWITCH	
Part No.	Bulk Qty.	Part No.	Bulk Qty.
321HF10-0101	18	321HF10-0150	18
321HF10-1101	1	321HF10-1150	1



9.5A GENESIS GENERATION PUMP

NEMA CORD		NEMA CORD & AIR SWITCH	
Part No.	Bulk Qty.	Part No.	Bulk Qty.
321JF10-0101	18	321JF10-0150	18
321JF10-1101	1	321JF10-1150	1



13.5A GENESIS GENERATION PUMP (1 1/2" SUCTION)

NEMA CORD		NEMA CORD & AIR SWITCH	
Part No.	Bulk Qty.	Part No.	Bulk Qty.
321NF10-0101	18	321NF10-0150	18
321NF10-1101	1	321NF10-1150	1

13.5A GENESIS GENERATION PUMP (2" SUCTION)

NEMA CORD		NEMA CORD & AIR SWITCH	
Part No.	Bulk Qty.	Part No.	Bulk Qty.
321NF10-0B01	18	321NF10-0B50	18
321NF10-1B01	1	321NF10-1B50	1



**ANTI-VIBRATION PADS
(3 REQUIRED & INCLUDED W/ PUMP)**

Part No.	Bulk Qty.
672-1170	144

672-1170



**1" S 45° LOW PRO
UNION WYE ASSEMBLY**

Part No.	Bulk Qty.
400-3145	25

400-3145



**1" S LOW PRO
UNION TEE ASSEMBLY**

Part No.	Bulk Qty.
400-4200	25

400-4200



**1" SB UNION TEE
ASSEMBLY (26mm)**

Part No.	Bulk Qty.
400-4250	30

400-4250



**1" SPG LOW PRO
UNION TEE ASSEMBLY**

Part No.	Bulk Qty.
400-4190	25

400-4190



**1.5" 65° ELL UNION
ASSEMBLY**

Part No.	Bulk Qty.
400-3800	36

400-3800



**1.5" S LOW PRO
UNION TEE ASSEMBLY**

Part No.	Bulk Qty.
400-4740	25

400-4740



1.5" S UNION ASSEMBLY

Part No.	Bulk Qty.
400-4060	200

400-4060



**1.5" SPG LOW PRO
UNION TEE ASSEMBLY**

Part No.	Bulk Qty.
400-4730	25

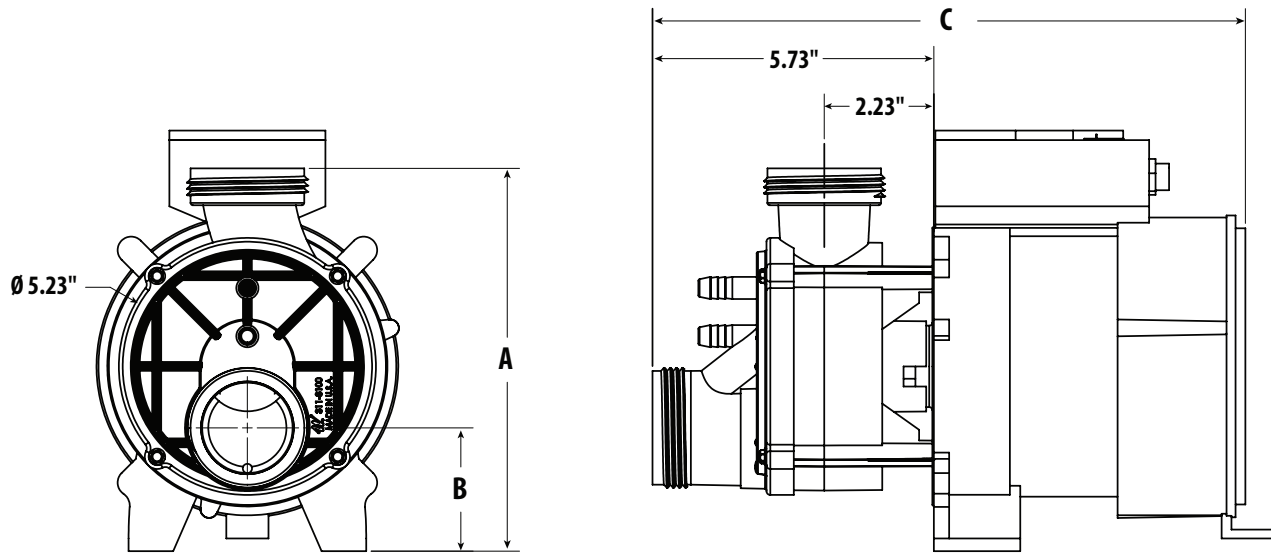
400-4730



2" S UNION ASSEMBLY

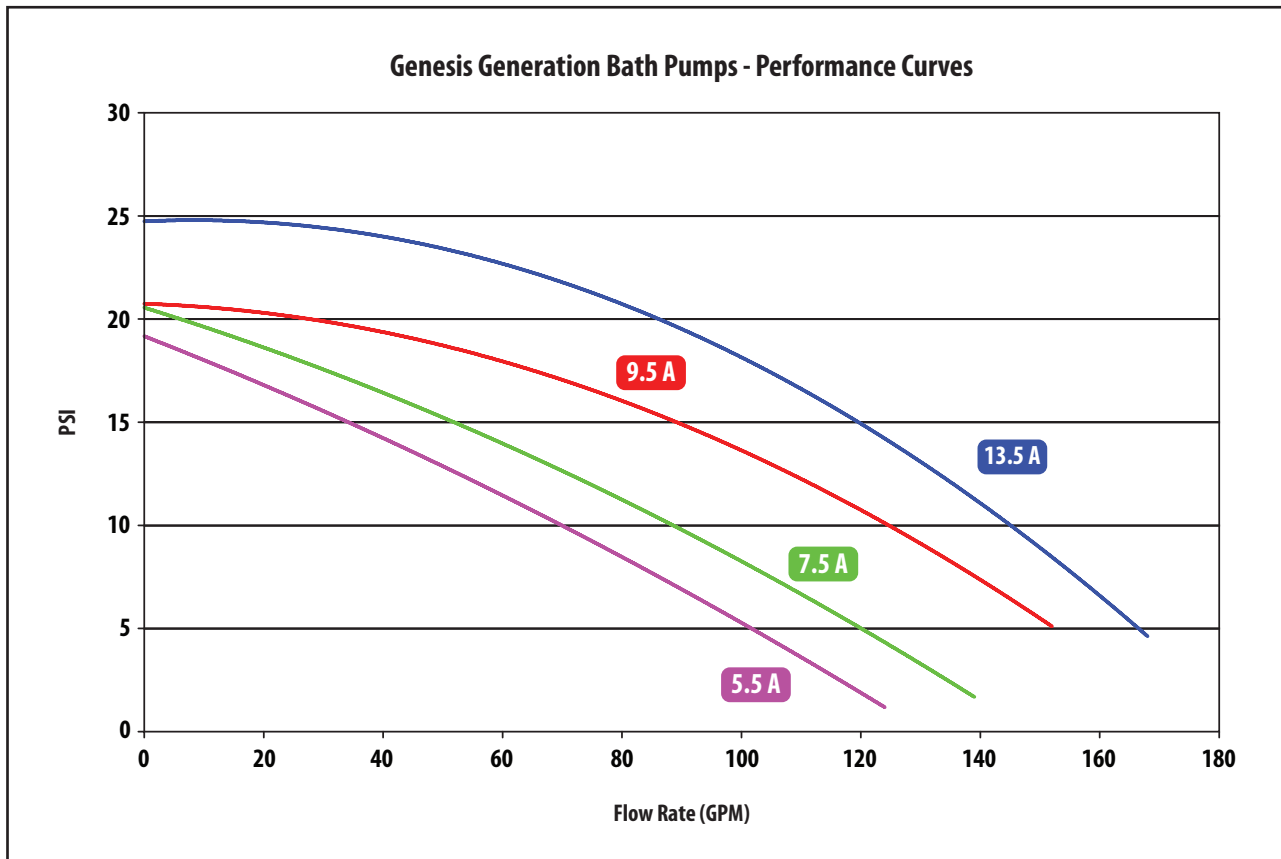
Part No.	Bulk Qty.
400-5570	140

400-5570



GENESIS GENERATION PUMP SPECIFICATIONS

Part No.	Description	Volts	Hz	Amps	"A"	"A" w/ Pads	"B"	"C"
321FF10-xxxx	5.5 Amp with NEMA Cord & Air Switch	115 V	60	5.5	7.10"	7.475"	1.82"	10.78"
321HF10-xxxx	7.5 Amp with NEMA Cord & Air Switch	115 V	60	7.5	6.69"	7.065"	1.41"	11.72"
321JF10-xxxx	9.5 Amp with NEMA Cord & Air Switch	115 V	60	9.5	7.79"	8.165"	2.51"	12.07"
321JN10-xxxx	13.5 Amp with NEMA Cord & Air Switch	115 V	60	13.5	7.79"	8.165"	2.51"	12.82"





Waterway Whirlpool Bath Pump Warranty

Genesis Generation Whirlpool Bath pumps are warranted to be free of defects in workmanship and materials for a period of 24 months from the date of motor manufacture (pump seals warranty for 12 months, only replacement seals will be sent).

Merchandise damaged as a result of carelessness, improper handling, rodents, insects (termite) or misapplication is specifically excluded from this warranty.

If within the warranty period, any such products shall prove defective, it shall be repaired or replaced at Waterway's option as follows:

1. The original retail purchaser shall first contact the point of purchase or the installing dealer, as soon as possible after discovery of the defect, but in no event later than the expiration date of this warranty. Processing of warranty claims should be initiated by the point of purchase or the installing dealer.
2. A Return Good Authorization (RGA) form must be completed and submitted to Waterway by the point of purchase or the installing dealer or OEM.
3. Waterway will issue an RGA for eligible items that are not out of their warranty period.
4. Waterway will advise the address to which the defective items may be shipped. The customer must pay for all shipping charges (no product shall be returned to Waterway without prior consent).
5. After receipt of the products, supporting documents and verification of the nature and cause of the defect, Waterway will replace or repair the defective products or issue warranty credit for eligible items at Waterway's option.

In no event shall Waterway be liable for labor or material charges in connection with removal or replacement of the defective products. Waterway is not liable for incidental or consequential damages, loss of profit, loss of time, inconvenience and incidental expenses.

This warranty is limited and shall be in lieu of any other warranties, expressed or implied, including but not limited to, any implied warranty or merchantability or fitness for a particular purpose. There are no other warranties that extend beyond the description of the face hereof. The liability of Waterway arising out of its supply of said products, or their use, shall not in any case exceed the cost of correcting defects in the products as above set forth.

Although Waterway Plastics provides all information, recommendation, or advice regarding its products in good faith, each user bears full responsibility for making its own determination as to suitability of Waterway's products, recommendations, or advice for its own particular use. Each user must identify and perform all tests and analysis necessary to assure that its finished products incorporating Waterway's parts or products will be safe and suitable for use under end-use conditions. This includes but not limited to verification of exposure to ambient operating conditions, adhesives, foams and any other type chemicals during the assembly or the end use conditions. Due to environmental conditions out of our control, we are unable to warranty discolorations or corrosion on stainless steel parts.

This warranty does not apply if the failure is caused or contributed to by any of the following: improper handling, improper storage, improper installation, abuse, unsuitable application of the product, lack of reasonable and necessary maintenance, improper packaging for return, or repairs made or attempted by any other company, which in the judgment of Waterway adversely affects the product's performance and reliability. Waterway reserves the right to change its warranty at any time.

Some states do not allow the exclusion or limitation of incidental or consequential damages, so the above limitation or exclusion may not apply to you. This warranty gives you specific legal rights, and you may also have other rights, which vary from state to state.

For the complete Waterway Limited Warranty, please see page iii.



Bath Jets



**2" WALL FITTING
LARGE FACE**

Part No.	Bulk Qty.
215-9840-CW	150
215-9840-BC	150
215-9840-B0	150
215-9840-PC	120
215-9840-BN	50
215-9840-OB	50



1 1/2" WALL FITTING

Part No.	Bulk Qty.
215-9860-CW	200
215-9860-BC	200
215-9860-B0	200
215-9860-PC	120
215-9860-BN	50
215-9860-OB	50



**WALL FITTING
TWIN SPIN**

Part No.	Bulk Qty.
212-9858-CW	200
212-9858-BC	200
212-9858-B0	200
212-9858-PC	120
212-9858-BN	50
212-9858-OB	50

HOLE SAW SIZE: 1 1/16"



**150-CS JET BODY
1/2" SPG x 3/8" SB**

Part No.	Bulk Qty.
211-0370	400

(fittings attach to back of jet body)



**150-CS OFFSET TEE
1/2" S x 1/2" S x 1/2" S**

Part No.	Bulk Qty.
413-1220	200



**150-CS OFFSET TEE
1" S x 1" S x 1" S**

Part No.	Bulk Qty.
413-1300	200



**150-CS LEFT OFFSET
90° ELBOW
1/2" S x 1/2" S**

Part No.	Bulk Qty.
411-1200	400



**150-CS RIGHT OFFSET
90° ELBOW
1/2" S x 1/2" S**

Part No.	Bulk Qty.
411-1210	400



**150-CS OFFSET
90° ELBOW
1/2" S x 3/4" SB**

Part No.	Bulk Qty.
411-0360	200



Bath Jets

Builders Series



SMOOTH (ADJUSTABLE)

DIRECTIONAL

Part No.	Bulk Qty.
227-4000-CW	200
227-4000-BC	200
227-4000-B0	200
227-4008-PC	120
227-4008-BN	50
227-4008-OB	50



SMOOTH (ADJUSTABLE)

TWIN SPIN

Part No.	Bulk Qty.
227-4058-CW	120
227-4058-BC	120
227-4058-B0	120
227-4058-PC	50
227-4058-BN	50
227-4058-OB	50



SMOOTH (NON-ADJUST.)

DIRECTIONAL

Part No.	Bulk Qty.
227-4040-CW	200
227-4040-BC	200
227-4040-B0	200
227-4048-PC	120
227-4048-BN	50
227-4048-OB	50



SMOOTH (NON-ADJUST.)

TWIN SPIN

Part No.	Bulk Qty.
227-4088-CW	120
227-4088-BC	120
227-4088-B0	120
227-4088-PC	50
227-4088-BN	50
227-4088-OB	50



3-SCALLOP

DIRECTIONAL

Part No.	Bulk Qty.
227-4010-CW	200
227-4010-BC	200
227-4010-B0	200
227-4018-PC	120
227-4018-BN	50
227-4018-OB	50



3-SCALLOP

TWIN SPIN

Part No.	Bulk Qty.
227-4068-CW	120
227-4068-BC	120
227-4068-B0	120
227-4068-PC	50
227-4068-BN	50
227-4068-OB	50



5-SCALLOP

DIRECTIONAL

Part No.	Bulk Qty.
227-4020-CW	200
227-4020-BC	200
227-4020-B0	200
227-4028-PC	120
227-4028-BN	50
227-4028-OB	50



5-SCALLOP

TWIN SPIN

Part No.	Bulk Qty.
227-4078-CW	120
227-4078-BC	120
227-4078-B0	120
227-4078-PC	50
227-4078-BN	50
227-4078-OB	50



X7 = 0.275" Fixed Orifice • A7 = 0.275" Adjustable Orifice • A5 = 0.250" Adjustable Orifice • A3 = 0.312" Adjustable Orifice



45° JET BODY
1" S x 1" S x 3/8" BARB

SILICONE PORTS		NO SILICONE PORTS	
Part No.	Bulk Qty.	Part No.	Bulk Qty.
227-1200-X7	100	227-1160-X7	100
227-1200-A7	100	227-1160-A7	100
227-1200-A5	100	227-1160-A5	100
227-1200-A3	100	227-1160-A3	100



SAME SIDE END JET BODY
1" S x 3/8" BARB

SILICONE PORTS		NO SILICONE PORTS	
Part No.	Bulk Qty.	Part No.	Bulk Qty.
227-1210-X7	150	227-1310-X7	150
227-1210-A7	150	227-1310-A7	150
227-1210-A5	150	227-1310-A5	150
227-1210-A3	150	227-1310-A3	150



STRAIGHT JET BODY
1" S x 1" S x 3/8" BARB

SILICONE PORTS		NO SILICONE PORTS	
Part No.	Bulk Qty.	Part No.	Bulk Qty.
227-1230-X7	100	227-1330-X7	100
227-1230-A7	100	227-1330-A7	100
227-1230-A5	100	227-1330-A5	100
227-1230-A3	100	227-1330-A3	100



TEE FOR STRAIGHT JET BODY
1/2" S x 1/2" S x 3/8" BARB

Part No.	Bulk Qty.
413-1210	100



45° JET BODY (26mm)
1" SB x 1" SB x 3/8" BARB (26 mm)

SILICONE PORTS		NO SILICONE PORTS	
Part No.	Bulk Qty.	Part No.	Bulk Qty.
227-1220-X7	150	227-1170-X7	150
227-1220-A7	150	227-1170-A7	150
227-1220-A5	150	227-1170-A5	150
227-1220-A3	150	227-1170-A3	150



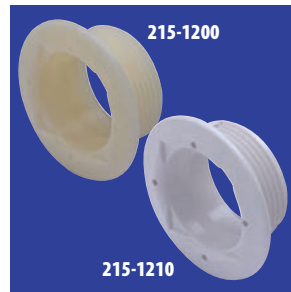
SAME SIDE END JET BODY
1" SB x 3/8" BARB

SILICONE PORTS		NO SILICONE PORTS	
Part No.	Bulk Qty.	Part No.	Bulk Qty.
227-1270-X7	150	227-1370-X7	150
227-1270-A7	150	227-1370-A7	150
227-1270-A5	150	227-1370-A5	150
227-1270-A3	150	227-1370-A3	150



SP™ SAME SIDE JET BODY
3/4" SB x 3/8" BARB

SILICONE PORTS		NO SILICONE PORTS	
Part No.	Bulk Qty.	Part No.	Bulk Qty.
227-1380-X7	150	227-1390-X7	150
227-1380-A7	150	227-1390-A7	150
227-1380-A5	150	227-1390-A5	150
227-1380-A3	150	227-1390-A3	150



WALL FITTINGS
0.875" (215-1200) • 0.650" (215-1210)

SILICONE PORTS		NO SILICONE PORTS	
Part No.	Bulk Qty.	Part No.	Bulk Qty.
215-1200	300	215-1210	300

HOLE SAW SIZE: 1 3/4"



BATH JET ORIFICE WRENCH

Part No.	Bulk Qty.
218-1000	1

WALL FITTING TOOL (WITH PINS)

Part No.	Bulk Qty.
218-0750	1



ORIFICE NOZZLES

0.250" (212-2317)
0.275" (212-2301 & 217-1230)
0.312" (212-2320)

ADJUSTABLE		NON-ADJUSTABLE	
Part No.	Bulk Qty.	Part No.	Bulk Qty.
212-2317	1	217-1230	1
212-2301	1		
212-2320	1		



Bath Jets

Luxury Series



229-1508-PC

200-LS - DIRECTIONAL

200-LS - SMOOTH		200-LS - 5-SCALLOP	
Part No.	Bulk Qty.	Part No.	Bulk Qty.
229-1510-CW	300	229-1500-CW	300
229-1510-BC	300	229-1500-BC	300
229-1510-B0	300	229-1500-B0	300
229-1518-PC	120	229-1508-PC	120
229-1518-BN	50	229-1508-BN	50
229-1518-OB	50	229-1508-OB	50



228-5170

SAME SIDE BODY

3/8" SB x 3/4" SB

Part No.	Bulk Qty.
228-5170	150

HOLE SAW SIZE: 1 1/2"



229-1520-B0

200-LS - TWIN ROTO

200-LS - SMOOTH		200-LS - 5-SCALLOP	
Part No.	Bulk Qty.	Part No.	Bulk Qty.
229-1530-CW	300	229-1520-CW	300
229-1530-BC	300	229-1520-BC	300
229-1530-B0	300	229-1520-B0	300
229-1538-PC	120	229-1528-PC	120
229-1538-BN	50	229-1528-BN	50
229-1538-OB	50	229-1528-OB	50



718-5100

JET BODY NUT

Part No.	Bulk Qty.
718-5100	600



229-0110-CW

200-LS - RIFLED

200-LS - SMOOTH		200-LS - 5-SCALLOP	
Part No.	Bulk Qty.	Part No.	Bulk Qty.
229-0100-CW	300	229-0110-CW	300
229-0100-BC	300	229-0110-BC	300
229-0100-B0	300	229-0110-B0	300
229-0108-PC	120	229-0118-PC	120
229-0108-BN	50	229-0118-BN	50
229-0108-OB	50	229-0118-OB	50



218-5150

JET BODY SELF-ALIGNMENT RING

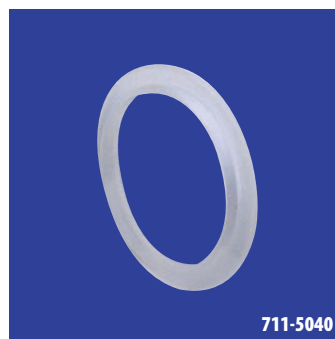
Part No.	Bulk Qty.
218-5150	500



229-9710-CW

200-LS - MULTI MASSAGE

200-LS - SMOOTH		200-LS - 5-SCALLOP	
Part No.	Bulk Qty.	Part No.	Bulk Qty.
229-9700-CW	300	229-9710-CW	300
229-9700-BC	300	229-9710-BC	300
229-9700-B0	300	229-9710-B0	300
229-9708-PC	120	229-9718-PC	120
229-9708-BN	50	229-9718-BN	50
229-9708-OB	50	229-9718-OB	50



711-5040

GROMMET GASKET

Part No.	Bulk Qty.
711-5040	500



229-8720-CW

300-LS - DIRECTIONAL

300-LS - SMOOTH

Part No.	Bulk Qty.
229-8710-CW	200
229-8710-BC	200
229-8710-BO	200
229-8718-PC	120
229-8718-BN	50
229-8718-OB	50

300-LS - 5-SCALLOP

Part No.	Bulk Qty.
229-8720-CW	200
229-8720-BC	200
229-8720-BO	200
229-8728-PC	120
229-8728-BN	50
229-8728-OB	50



229-7930-CW

300-LS - FIXED SINGLE ROTOR

300-LS - SMOOTH

Part No.	Bulk Qty.
229-7910-CW	200
229-7910-BC	200
229-7910-BO	200
229-7918-PC	120
229-7918-BN	50
229-7918-OB	50

300-LS - 5-SCALLOP

Part No.	Bulk Qty.
229-7930-CW	200
229-7930-BC	200
229-7930-BO	200
229-7938-PC	120
229-7938-BN	50
229-7938-OB	50



229-8480-CW

300-LS - FIXED TWIN ROTOR

300-LS - SMOOTH

Part No.	Bulk Qty.
229-8460-CW	200
229-8460-BC	200
229-8460-BO	200
229-8468-PC	120
229-8468-BN	50
229-8468-OB	50

300-LS - 5-SCALLOP

Part No.	Bulk Qty.
229-8480-CW	200
229-8480-BC	200
229-8480-BO	200
229-8488-PC	120
229-8488-BN	50
229-8488-OB	50



229-7800-CW

300-LS - MASSAGE

300-LS - SMOOTH

Part No.	Bulk Qty.
229-7810-CW	200
229-7810-BC	200
229-7810-BO	200
229-7818-PC	120
229-7818-BN	50
229-7818-OB	50

300-LS - 5-SCALLOP

Part No.	Bulk Qty.
229-7800-CW	200
229-7800-BC	200
229-7800-BO	200
229-7808-PC	120
229-7808-BN	50
229-7808-OB	50



229-8370-CW

300-LS - MULTI MASSAGE

300-LS - SMOOTH

Part No.	Bulk Qty.
229-8380-CW	200
229-8380-BC	200
229-8380-BO	200
229-8388-PC	120
229-8388-BN	50
229-8388-OB	50

300-LS - 5-SCALLOP

Part No.	Bulk Qty.
229-8370-CW	200
229-8370-BC	200
229-8370-BO	200
229-8378-PC	120
229-8378-BN	50
229-8378-OB	50



350-XLS - DIRECTIONAL

350-XLS - SMOOTH	
Part No.	Bulk Qty.
229-7825-CW	150
229-7825-BC	150
229-7825-B0	150
229-7825-PC	120
229-7825-BN	50
229-7825-OB	50

350-XLS - 5-SCALLOP	
Part No.	Bulk Qty.
229-7820-CW	150
229-7820-BC	150
229-7820-B0	150
229-7828-PC	120
229-7828-BN	50
229-7828-OB	50



350-XLS - FIXED SINGLE ROTOR

350-XLS - SMOOTH	
Part No.	Bulk Qty.
229-7915-CW	150
229-7915-BC	150
229-7915-B0	150
229-7915-PC	120
229-7915-BN	50
229-7915-OB	50

350-XLS - 5-SCALLOP	
Part No.	Bulk Qty.
229-7835-CW	150
229-7835-BC	150
229-7835-B0	150
229-7835-PC	120
229-7835-BN	50
229-7835-OB	50



350-XLS - FIXED TWIN ROTOR

350-XLS - SMOOTH	
Part No.	Bulk Qty.
229-8470-CW	150
229-8470-BC	150
229-8470-B0	150
229-8478-PC	120
229-8478-BN	50
229-8478-OB	50

350-XLS - 5-SCALLOP	
Part No.	Bulk Qty.
229-8490-CW	150
229-8490-BC	150
229-8490-B0	150
229-8498-PC	120
229-8498-BN	50
229-8498-OB	50



350-XLS - MASSAGE

350-XLS - SMOOTH	
Part No.	Bulk Qty.
229-7815-CW	150
229-7815-BC	150
229-7815-B0	150
229-7815-PC	120
229-7815-BN	50
229-7815-OB	50

350-XLS - 5-SCALLOP	
Part No.	Bulk Qty.
229-7855-CW	150
229-7855-BC	150
229-7855-B0	150
229-7855-PC	120
229-7855-BN	50
229-7855-OB	50



350-XLS - MULTI MASSAGE

350-XLS - SMOOTH	
Part No.	Bulk Qty.
229-8385-CW	150
229-8385-BC	150
229-8385-B0	150
229-8385-PC	120
229-8385-BN	50
229-8385-OB	50

350-XLS - 5-SCALLOP	
Part No.	Bulk Qty.
229-8390-CW	150
229-8390-BC	150
229-8390-B0	150
229-8398-PC	120
229-8398-BN	50
229-8398-OB	50



SAME SIDE JET BODY
3/4" SPG x 1/2" S x 3/8" SB

Part No.	Bulk Qty.
228-0350	180

HOLE SAW SIZE: 2 1/4"

228-0350



SAME SIDE END JET BODY
3/4" SB x 3/8" BARB

Part No.	Bulk Qty.
228-0370	180

HOLE SAW SIZE: 2 1/4"

228-0370



45° WYE ADAPTER
1" S x 1" S x 3/4" S
(FOR 228-0350)

Part No.	Bulk Qty.
413-1340	100

413-1340



JET BODY NUT

Part No.	Bulk Qty.
718-6900	600

718-6900



45° WYE ADAPTER (26mm)
1" SB x 1" SB x 3/4" S
(FOR 228-0350)

Part No.	Bulk Qty.
413-1350	150

413-1350



JET BODY
SELF-ALIGNMENT RING

Part No.	Bulk Qty.
718-6960	700

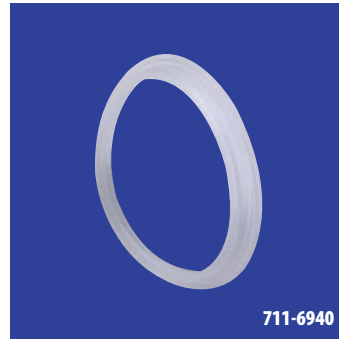
718-6960



STRAIGHT TEE ADAPTER
1" S x 1" S x 3/4" S
(FOR 228-0350)

Part No.	Bulk Qty.
413-2080	100

413-2080



JET BODY
GROMMET GASKET

Part No.	Bulk Qty.
711-6940	600

711-6940



CAP
1" S (26mm)

Part No.	Bulk Qty.
715-1350	200

715-1350



INVERTED PLUG
1" SPG

Part No.	Bulk Qty.
715-2000	200

715-2000



180° JET SERIES

STANDARD MINI JET SERIES



180° JET INTERNAL ADJUSTABLE

Part No.	Bulk Qty.
210-5250	80



STANDARD MINI JET INTERNAL - DIRECTIONAL

Part No.	Bulk Qty.
224-0050	150



180° JET INTERNAL WHIRLY

Part No.	Bulk Qty.
210-6250	80



STANDARD MINI JET INTERNAL - PULSATOR

Part No.	Bulk Qty.
224-0060	150



180° JET ESCUTCHEON CHROME

Part No.	Bulk Qty.
916-1250	50



STANDARD MINI JET INTERNAL - WHIRLY

Part No.	Bulk Qty.
224-0070	75



180° JET TEE BODY 1/2" S AIR x 1" S WATER

Part No.	Bulk Qty.
210-6300	50

HOLE SAW SIZE: 2 1/2"



STANDARD MINI JET BODY TEE - 1/2" S AIR x 1" S WATER

Part No.	Bulk Qty.
222-0060	25



STANDARD MINI JET WALL FITTING GASKET

Part No.	Bulk Qty.
711-0010	300

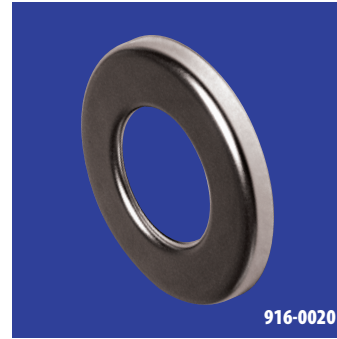


ADJUSTABLE MINI JET SERIES



ADJUSTABLE MINI JET INTERNAL - ADJUSTABLE

Part No.	Bulk Qty.
212-1020	100



STD. & ADJ. MINI JET CHROME ESCUTCHEON

Part No.	Bulk Qty.
916-0020	1



ADJUSTABLE MINI JET INTERNAL - PULSATOR

Part No.	Bulk Qty.
212-1030	50



ADJUSTABLE MINI JET INTERNAL - WHIRLY

Part No.	Bulk Qty.
212-1040	100



ADJUSTABLE MINI JET BODY TEE - 1" S AIR x 1" S WATER

Part No.	Bulk Qty.
222-0030	25



Air Buttons



FLAT AIR BUTTON

COMPLETE ASSEMBLY

Part No.	Bulk Qty.
650-3040-CW	200
650-3040-BC	200
650-3040-B0	200
650-3040-PC	120
650-3040-BN	50
650-3040-OB	50



RAISED AIR BUTTON

COMPLETE ASSEMBLY

Part No.	Bulk Qty.
650-3030-CW	200
650-3030-BC	200
650-3030-B0	200
650-3030-PC	120
650-3030-BN	50
650-3030-OB	50



AIR BUTTON BODY ASSEMBLY (LESS TRIM SET)

Part No.	Bulk Qty.
650-3020	200



FLAT TRIM SET

FLAT TRIM SET

Part No.	Bulk Qty.
650-3060-CW	200
650-3060-BC	200
650-3060-B0	200
650-3060-PC	120
650-3060-BN	50
650-3060-OB	50



RAISED TRIM SET

RAISED TRIM SET

Part No.	Bulk Qty.
650-3070-CW	200
650-3070-BC	200
650-3070-B0	200
650-3070-PC	120
650-3070-BN	50
650-3070-OB	50



Air Controls & Select-A-Speed



AIR CONTROL - SMOOTH

COMPLETE ASSEMBLY

Part No.	Bulk Qty.
660-3270-CW	200
660-3270-BC	200
660-3270-B0	200
660-3270-PC	120
660-3270-BN	50
660-3270-OB	50

SMOOTH CAP ONLY

Part No.	Bulk Qty.
662-1960-CW	200
662-1960-BC	200
662-1960-B0	200
662-1960-PC	120
662-1960-BN	50
662-1960-OB	50



AIR CONTROL - WINDOW

COMPLETE ASSEMBLY

Part No.	Bulk Qty.
660-3280-CW	200
660-3280-BC	200
660-3280-B0	200
660-3280-PC	120
660-3280-BN	50
660-3280-OB	50

WINDOW CAP ONLY

Part No.	Bulk Qty.
662-1950-CW	200
662-1950-BC	200
662-1950-B0	200
662-1950-PC	120
662-1950-BN	50
662-1950-OB	50



AIR CONTROL BODY ASSEMBLY

Part No.	Bulk Qty.
660-3250	200



TOPSIDE AIR CONTROL 1/2" S

Part No.	Bulk Qty.
660-3210	120



SELECT-A-SPEED

COMPLETE ASSEMBLY

Part No.	Bulk Qty.
660-3290-CW	120
660-3290-BC	120
660-3290-B0	120
660-3290-PC	50
660-3290-BN	50
660-3290-OB	50

WINDOW CAP ONLY

Part No.	Bulk Qty.
662-1950-CW	120
662-1950-BC	120
662-1950-B0	120
662-1950-PC	50
662-1950-BN	50
662-1950-OB	50



SELECT-A-SPEED BODY ASSEMBLY

Part No.	Bulk Qty.
660-3240	120



Designer Series Suctions



643-4460-PC

SUCTION COVER

COVER ONLY

Part No.	Bulk Qty.
643-4460-CW	200
643-4460-BC	200
643-4460-BO	200
643-4460-PC	120
643-4460-BN	50
643-4460-OB	50



215-5080

SUCTION WALL FITTING

Part No.	Bulk Qty.
215-5080	100

HOLE SAW SIZE: 2 3/4"



642-4820

**2" S ELBOW
1/2" S PORT (NO SILICONE)**

Part No.	Bulk Qty.
642-4820	50



425-0220

**90° ELBOW (OPTIONAL)
1/2" SPG x 3/8" RB**

Part No.	Bulk Qty.
425-0220	500



642-4830

**2" S ELBOW
1/2" S PORT (SILICONE)**

Part No.	Bulk Qty.
642-4830	50



711-5080

SUCTION GASKET (OPTIONAL)

Part No.	Bulk Qty.
711-5080	200



642-4040

**1 1/2" S ELBOW
1/2" S PORT (NO SILICONE)**

Part No.	Bulk Qty.
642-4040	50



218-0760

SUCTION WRENCH

Part No.	Bulk Qty.
218-0760	1



642-4030

**1 1/2" S ELBOW
1/2" S PORT (SILICONE)**

Part No.	Bulk Qty.
642-4030	50



Valves



1/2" S CHECK VALVE WITH CAP/FOAM

Part No.	Bulk Qty.
670-2270	125

670-2270



STRAIGHT ADAPTER 1/2" SPG x 3/8" RB

Part No.	Bulk Qty.
425-0210	500

425-0210



1/2" S TEE CHECK VALVE WITH CAP/FOAM

Part No.	Bulk Qty.
670-2220	125

670-2220



90° ADAPTER 1/2" SPG x 3/8" RB

Part No.	Bulk Qty.
425-0220	500

425-0220



1" CHECK VALVE WITH DIAPHRAGM

Part No.	Bulk Qty.
670-1100	100

670-1100



2-WAY ADAPTER (2) 3/8" SB x 1/2" SPG

Part No.	Bulk Qty.
425-0200	330

425-0200



UNIONIZED CHECK VALVE (1/4 LB. SPRING) 1 1/2" S x 1 1/2" S

Part No.	Bulk Qty.
600-0500	36

600-0500



MANIFOLD 1" SPG x (4) 3/8" SB

Part No.	Bulk Qty.
672-4030	250

672-4030



UNIONIZED CHECK VALVE (3/32 LB. SPRING) 1 1/2" S x 1 1/2" S

Part No.	Bulk Qty.
600-0510	36

600-0510



MANIFOLD 1" SPG x (2) 3/8" SB

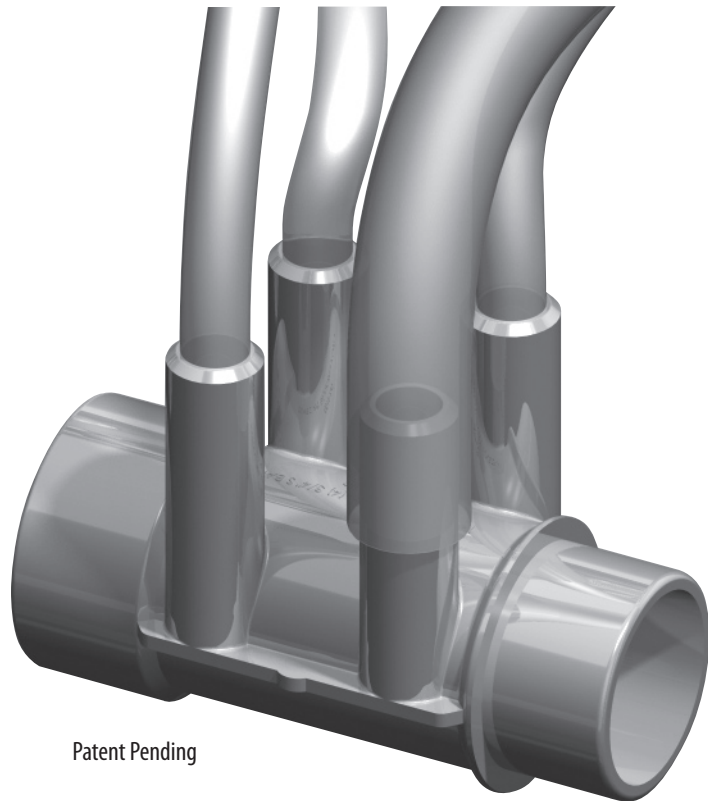
Part No.	Bulk Qty.
672-4010	250

672-4010



FEATURES:

- Use 3/8" and 3/4" tubing interchangeably
- Available in multiple Manifolds, Clips, Specialty Fittings, Pump Unions and Water Features
- Use with the 200-LS Jet Series
- Increase production capacity



Patent Pending

Waterway's versatile SmartPlumb™ system allows the user to interchangeably use either 3/8" or 3/4" tubing within the same manifold system. With this new exciting technology, it is now possible to save more than 30% on your jet plumbing! The ease of plumbing will increase your plumbing capacity significantly.





SP MANIFOLD
1 1/2\" S x 1 1/2\" S x (4) 3/4\" SB

Part No.	Bulk Qty.
672-4140	60



SP MANIFOLD
(3) 1 1/2\" S x (8) 3/4\" SB

Part No.	Bulk Qty.
672-5200	20



SP MANIFOLD
1 1/2\" SPG x 1 1/2\" S x (4) 3/4\" SB

Part No.	Bulk Qty.
672-4150	60



1 1/2\" C\"
MANIFOLD HOLDER

Part No.	Bulk Qty.
672-1430	200



SP MANIFOLD
1 1/2\" S x DEAD END x (4) 3/4\" SB

Part No.	Bulk Qty.
672-4960	75



9/16\" TRIPLE C\"
TUBING HOLDER/CLIP

Part No.	Bulk Qty.
672-1440	500



SP MANIFOLD
1\" S x (4) 3/4\" SB CLUSTER CAP

Part No.	Bulk Qty.
672-4410	50



3/4\" C\" CLIP
WITH ZIP TIE LOOPS

Part No.	Bulk Qty.
672-1460	500



SP MANIFOLD
1 1/2\" S x (4) 3/4\" SB CLUSTER CAP

Part No.	Bulk Qty.
672-4770	100



STACKED TUBING CLIP
9/16\" x 3/4\"

Part No.	Bulk Qty.
672-1450	200



SP 3/4\" DEEP
INVERTED PLUG

Part No.	Bulk Qty.
715-0340	200



150-CS JET BODY
1/2" SPG x 3/8" SB

Part No.	Bulk Qty.
211-0370	400

SEE PAGE J-3.



200-LS
SAME SIDE BODY
3/8" SB x 3/4" SB

Part No.	Bulk Qty.
228-5170	150

SEE PAGE J-10.



150-CS OFFSET
90° ELBOW
1/2" S x 3/4" SB

Part No.	Bulk Qty.
411-0360	200



300-LS & 350-XLS
SAME SIDE END JET BODY
3/4" SB x 3/8" BARB

Part No.	Bulk Qty.
228-0370	180

SEE PAGE J-13.



250-CS & 250-ES
SAME SIDE JET BODY
3/4" SB x 3/8" BARB

SILICONE PORTS		NO SILICONE PORTS	
Part No.	Bulk Qty.	Part No.	Bulk Qty.
227-1380-X7	150	227-1390-X7	150
227-1380-A7	150	227-1390-A7	150
227-1380-A5	150	227-1390-A5	150
227-1380-A3	150	227-1390-A3	150



INVERTED PLUG
1 1/2" SPG

Part No.	Bulk Qty.
715-2150	300



ADAPTER
1/2" SPG x 3/4" SB

Part No.	Bulk Qty.
419-1920	400



ADAPTER
3/4" SB x 1" SPG x 3/4" S

Part No.	Bulk Qty.
425-1070	400



COUPLING
3/4" SB x 3/4" SB

Part No.	Bulk Qty.
419-0900	250



TEE
(3) 3/4" SB

Part No.	Bulk Qty.
413-1800	200



WYE
(3) 3/8" BARB

Part No.	Bulk Qty.
413-1940	500



MANIFOLD
1/2" S x 1/2" S x (6) 3/8" SB

Part No.	Bulk Qty.
672-4690	50



WYE
(2) 3/8" BARB x 1/8" S

Part No.	Bulk Qty.
413-1910	400



MANIFOLD
1/2" S x 1/2" S x (3) 3/8" SB

Part No.	Bulk Qty.
672-0550	150



TEE
(3) 3/8" BARB

Part No.	Bulk Qty.
413-1900	500



MANIFOLD
(4) 3/8" RB

Part No.	Bulk Qty.
672-4070	500



2-WAY ADAPTER
(2) 3/8" SB x 1/2" SPG

Part No.	Bulk Qty.
425-0200	330



COUPLER
3/8" RB x 3/8" RB

Part No.	Bulk Qty.
419-1000	500



STRAIGHT ADAPTER
1" SPG x 3/8" RB

Part No.	Bulk Qty.
425-0210	500



90° ADAPTER
1/2" SPG x 3/8" RB

Part No.	Bulk Qty.
425-0220	500



Miscellaneous



**1" S AROMA THERAPY TEE ASSEMBLY
SMOOTH 5-SCALLOP**

Part No.	Bulk Qty.
670-2850-CW	60
670-2850-BC	60
670-2850-B0	60
670-2850-PC	60
670-2850-BN	60
670-2850-0B	60



**3.5" FRONT ACCESS
LIGHT ASSEMBLY**

Part No.	Bulk Qty.
630-6008NI	60



**SCONCE LIGHTING
FOR OUTSIDE SKIRT AREA**

Part No.	Bulk Qty.
630-6410-CW	10
630-6410-BC	10
630-6410-B0	10
630-6410-PC	10
630-6410-BN	10
630-6410-0B	10



**BLUE & RED LENS COVERS
FOR 3" & 3.5" LIGHTS**

Part No.	Bulk Qty.
630-0005	75



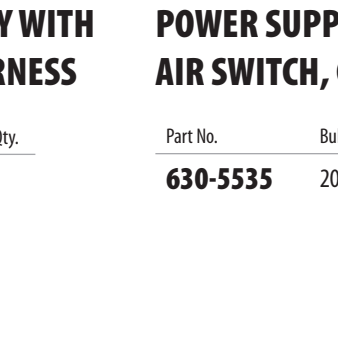
**LED CUP HOLDER
LIGHT LENS**

Part No.	Bulk Qty.
630-0038	150



**POWER SUPPLY WITH
CORD AND HARNESS**

Part No.	Bulk Qty.
630-5525	20



**POWER SUPPLY WITH
AIR SWITCH, CORD, & HARNESS**

Part No.	Bulk Qty.
630-5535	20



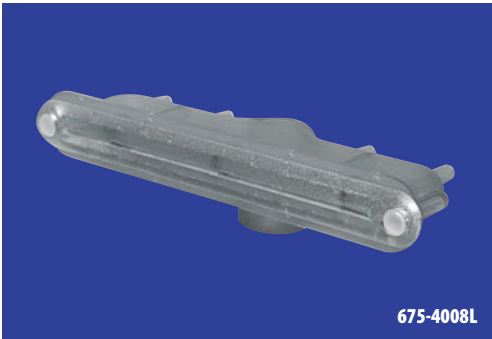
**9-LED LIGHT WITH
10 EFFECTS**

Part No.	Bulk Qty.
813-4364S	60



12 V BULB

Part No.	Bulk Qty.
813-4370	10



675-4008L

6" AQUA FALL

6" AQUA FALL	
Part No.	Bulk Qty.
675-4000	50
675-4000S	50

6" LED AQUA FALL	
Part No.	Bulk Qty.
675-4008L	50



675-3507

3 1/2" CASCADE (2) 3/4" RB

3 1/2" CASCADE	
Part No.	Bulk Qty.
675-3500	20
675-3500S	20

3 1/2" LED CASCADE	
Part No.	Bulk Qty.
675-3508L	60
675-3508LS	60

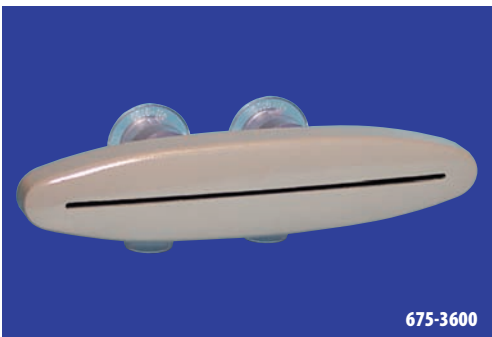


675-3557S

3 1/2" CASCADE WITH MANIFOLD (2) 3/4" RB

3 1/2" CASCADE	
Part No.	Bulk Qty.
675-3550	100
675-3550S	100

3 1/2" LED CASCADE	
Part No.	Bulk Qty.
675-3558L	25
675-3558LS	25



675-3600

7" CASCADE (2) 3/4" RB

7" CASCADE	
Part No.	Bulk Qty.
675-3600	20
675-3600S	20

7" LED CASCADE	
Part No.	Bulk Qty.
675-3608L	20
675-3608LS	20



675-3667S

7" CASCADE WITH MANIFOLD (2) 3/4" RB

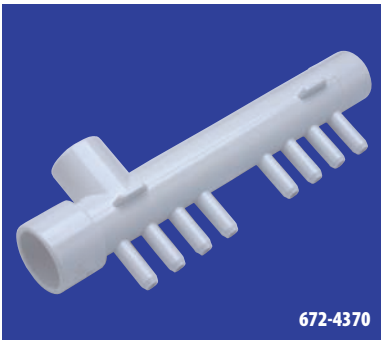
7" CASCADE	
Part No.	Bulk Qty.
675-3660	100
675-3660S	100

7" LED CASCADE	
Part No.	Bulk Qty.
675-3668L	20
675-3668LS	20

It's all about the *right* connections.



Bath Fittings



MANIFOLD TEE
1" SPG x 1" S x (8) 3/8" SB

Part No.	Bulk Qty.
672-4370	50

672-4370



MANIFOLD
1" SPG x (2) 3/8" SB

Part No.	Bulk Qty.
672-4010	250

672-4010



MANIFOLD
1" S x 1" S x (10) 3/8" SB

Part No.	Bulk Qty.
672-5080	100

672-5080



MANIFOLD
1" S x 1" SPG x (4) 3/8" RB

Part No.	Bulk Qty.
672-0400	50

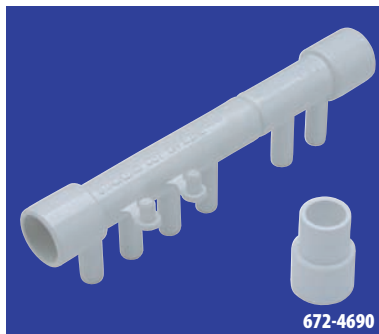
672-0400



MANIFOLD
1" S x 1" S x (6) 3/8" SB

Part No.	Bulk Qty.
672-5060	100

672-5060



MANIFOLD
1/2" S x 1/2" S x (6) 3/8" SB

Part No.	Bulk Qty.
672-4690	50

672-4690



MANIFOLD
1" SPG x (5) 3/8" SB

Part No.	Bulk Qty.
672-4100	160

672-4100



MANIFOLD
1/2" S x 1/2" S x (3) 3/8" SB

Part No.	Bulk Qty.
672-0550	150

672-0550



MANIFOLD
1" SPG x (4) 3/8" SB

Part No.	Bulk Qty.
672-4030	250

672-4030



MANIFOLD
(4) 3/8" RB

Part No.	Bulk Qty.
672-4070	500

672-4070



90° ELL ADAPTER
1" S x 3/8" RB

Part No.	Bulk Qty.
425-4040	150

425-4040



WYE
(2) 3/8" BARB x 1/8" S

Part No.	Bulk Qty.
413-1910	400

413-1910



ADAPTER
1" SPG x 3/8" SB

Part No.	Bulk Qty.
425-5010	300

425-5010



WYE
(3) 3/8" BARB

Part No.	Bulk Qty.
413-1940	500

413-1940



2-WAY ADAPTER
(2) 3/8" SB x 1/2" SPG

Part No.	Bulk Qty.
425-0200	330

425-0200



TEE
(3) 3/8" BARB

Part No.	Bulk Qty.
413-1900	500

413-1900



STRAIGHT ADAPTER
1/2" SPG x 3/8" RB

Part No.	Bulk Qty.
425-0210	500

425-0210



COUPLER
3/8" RB x 3/8" RB

Part No.	Bulk Qty.
419-1000	500

419-1000



90° ADAPTER
1/2" SPG x 3/8" RB

Part No.	Bulk Qty.
425-0220	500

425-0220



SMOOTH SADDLE BARB
3/8" SB FOR 1 1/2" PVC

Part No.	Bulk Qty.
425-0230	400

425-0230



Fittings / Plugs and Adapters



INVERTED PLUG 1/2" SPG

Part No.	Bulk Qty.
715-0000	800



ADAPTER 1" SPG x 1" SB

Part No.	Bulk Qty.
425-2010	400



INVERTED PLUG 1" SPG

Part No.	Bulk Qty.
715-2000	200



ADAPTER 3/4" SB x 1" SPG x 3/4" S

Part No.	Bulk Qty.
425-1070	400



INVERTED PLUG 1 1/2" SPG

Part No.	Bulk Qty.
715-2150	60



CAP 1" S (26mm)

Part No.	Bulk Qty.
715-1350	100



45° ELL
1" S x 1" S

Part No.	Bulk Qty.
411-2010	150

411-2010



90° LEFT-HAND DRAIN ELL
1 1/2" S x 1 1/2" SPG

Part No.	Bulk Qty.
411-6050	50

411-6050



45° STREET ELL
1" S x 1" SPG

Part No.	Bulk Qty.
411-2020	50

411-2020



90° RIGHT-HAND DRAIN ELL
1 1/2" S x 1 1/2" SPG

Part No.	Bulk Qty.
411-6060	50

411-6060



45° STREET ELL
1 1/2" S x 1 1/2" SHORT SPG

Part No.	Bulk Qty.
411-4040	140

411-4040



90° STREET ELL
1" S x 1" SPG

Part No.	Bulk Qty.
411-2000	50

411-2000



45° STREET ELL
2" S x 2" SPG

Part No.	Bulk Qty.
411-5030	90

411-5030



90° STREET ELL
1 1/2" S x 1 1/2" SPG

Part No.	Bulk Qty.
411-4000	130

411-4000



65° ELL
1 1/2" S x 1 1/2" SHORT SPG

Part No.	Bulk Qty.
411-3800	50

411-3800



90° STREET ELL
1 1/2" S x 1 1/2" SPG
x 1" S OUTLET

Part No.	Bulk Qty.
411-4080	50

411-4080



90° ELL
1 1/2\" S x 1 1/2\" S

Part No.	Bulk Qty.
411-4010	50

411-4010



TEE
1 1/2\" S x 1 1/2\" S x 1 1/2\" SPG

Part No.	Bulk Qty.
413-4000	90

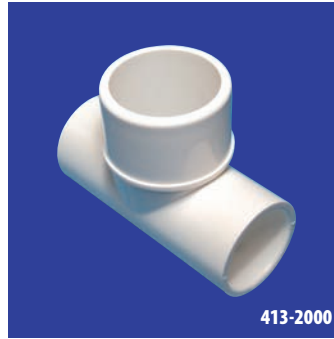
413-4000



90° ELL
1 1/2\" SPG x 1 1/2\" SPG

Part No.	Bulk Qty.
411-5550	50

411-5550



TEE
1\" S x 1\" S x 1 1/2\" SPG

Part No.	Bulk Qty.
413-2000	50

413-2000



90° ELL
1 1/2\" S x 1 1/2\" SPG
x 1\" S SIDE OUTLET

Part No.	Bulk Qty.
411-4050	25

411-4050



TEE
1\" S x 1\" S x 1 1/2\" S

Part No.	Bulk Qty.
413-2030	140

413-2030



SWEEP ELL
1 1/2\" SPG x 1 1/2\" S

Part No.	Bulk Qty.
411-9100	25

411-9100



LOW PROFILE TEE
1\" S x 1\" S x 1 1/2\" SPG

Part No.	Bulk Qty.
413-2060	50

413-2060



SWEEP ELL
1 1/2\" S x 1 1/2\" S

Part No.	Bulk Qty.
411-9110	25

411-9110



TEE
1\" S x 1\" S x 1\" SPG

Part No.	Bulk Qty.
413-2080	100

413-2080



413-1980

REDUCER TEE
1/2" S x 1/2" S x 1" S

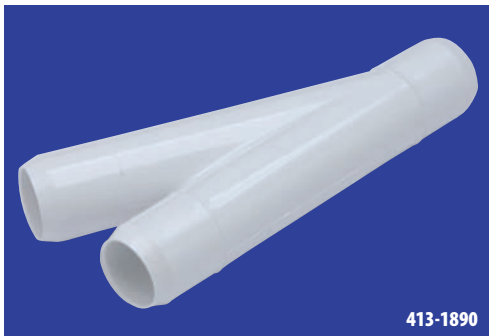
Part No.	Bulk Qty.
413-1980	100



413-4150

22.5° WYE
1" S x 1" S x 1" S

Part No.	Bulk Qty.
413-4150	170



413-1890

22.5° WYE
(3) 1" SB (26mm)

Part No.	Bulk Qty.
413-1890	250



413-4130

120° WYE
1 1/2" S x 1" S x 1" S

Part No.	Bulk Qty.
413-4130	140



429-4000

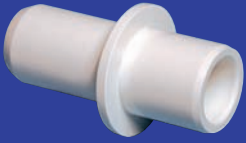
U-BEND
2" S x 2" S

Part No.	Bulk Qty.
429-4000	50



Fittings / Miscellaneous Fittings

SP[™]

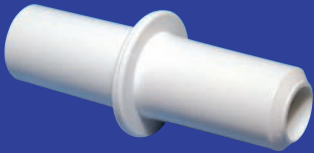


419-1920

ADAPTER 1/2" SPG x 3/4" SB

Part No.	Bulk Qty.
419-1920	400

SP[™]



419-0900

COUPLING 3/4" SB x 3/4" SB

Part No.	Bulk Qty.
419-0900	250

SP[™]



413-4360

ADAPTER 1 1/2" SPG x 3/4" SB

Part No.	Bulk Qty.
413-4360	200

SP[™]



425-1070

ADAPTER 3/4" SB x 1" SPG x 3/4" S

Part No.	Bulk Qty.
425-1070	400



421-1050

REDUCER 1" SPG x 1/2" S

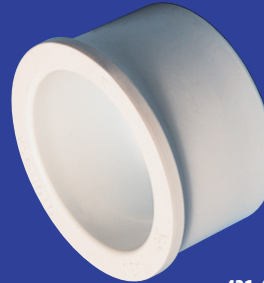
Part No.	Bulk Qty.
421-1050	225



421-4030

REDUCER 1 1/2" SPG x 1" SPG

Part No.	Bulk Qty.
421-4030	100



421-4070

REDUCER 1 1/2" S x 2" SPG

Part No.	Bulk Qty.
421-4070	100



421-4020

BELL REDUCER 1 1/2" S x 1" S

Part No.	Bulk Qty.
421-4020	75



PLUG
3/8" SB

Part No.	Bulk Qty.
715-9870	100

715-9870



1 1/2" UNION NUT

Part No.	Bulk Qty.
415-4000	250

415-4000



HOSE PLUG
3/8" SB

Part No.	Bulk Qty.
715-9850	500

715-9850



1 1/2" UNION COMPONENT
1 1/2" FLANGE x 1 1/2" S TAILPIECE

Part No.	Bulk Qty.
417-4000	300

417-4000



PLUG
1 1/2" SPG

Part No.	Bulk Qty.
715-4000	100

715-4000



1 1/2" UNION COMPONENT
1 1/2" FLANGE x 1 1/2" SPG /
1" S TAILPIECE

Part No.	Bulk Qty.
417-2000	50

417-2000



CAP
1" S (26mm)

Part No.	Bulk Qty.
715-1350	100

715-1350



1 1/2" UNION COMPONENT
1 1/2" FLANGE x 1 1/2" S TAILPIECE
(SHORT)

Part No.	Bulk Qty.
417-4080	150

417-4080



1 1/2" HEATER SPLIT NUT
(INCLUDES SCREWS)

Part No.	Bulk Qty.
400-5461	150

400-5461

Genuine OEM Spa & Bath Hose



OEM Spa and Bath Hose for Spas, Baths, and Hot Tubs

Shurflex™ hose and flexible tubing is now available for all of your spa and bath installation demands.

Available in:

Clear Vinyl: 1/8", 1/4", 3/8", 3/4",
and 3/4" x 1 1/16"

White Vinyl: 3/8", 3/4", and
1" x 1 1/4"

Shur-Grip: 3/4", 3/4" thin, 1 1/2",
and 2"

Flex: 1/2", 3/4", 1", 1 1/2", 2",
2" thin, 2 1/2" and 3"

Shurflex

BRAND

FLEXIBLE HOSE FOR OEM SPA AND BATH

Waterway's Shurflex brand flex hose and tubing is made under the same strict manufacturing conditions as all of our genuine pool, spa, and bath products. Trust Waterway, it's genuine.



INDIVIDUAL ROLLS - BULK PACKED

Part No.	Size	Type	Available Colors	Feet/Roll
110-010xB	1/8" x 1/4"	Clear Vinyl	Clear (OB), Red (RB)	2,000
110-0110B	1/4" x 3/8"	Clear Vinyl	Clear	1,000
110-0120B	3/8" x 9/16"	Clear Vinyl	Clear	500
110-012WB	3/8" x 9/16"	White Vinyl	White	500
110-0140B	3/4" x 1"	Clear Vinyl	Clear	150
110-014WB	3/4" x 1"	White Vinyl	White	150
110-0150B	3/4" x 1 1/16"	Clear Vinyl	Clear	100
110-016WB	1" x 1 1/4"	White Vinyl	White	100
120-0110B	1/2"	Flex	White	100
120-0120B	3/4"	Flex	White	100
120-0130B	1"	Flex	White	50
120-0140B	1 1/2"	Flex	White	50
120-0150B	2"	Flex	White	50
120-0250B	2" thin	Flex	White	50
120-0160B	2 1/2"	Flex	White	50
120-0170B	3"	Flex	White	50
130-0110B	3/4"	Shur Grip	Clear/White	100
130-0210B	3/4" thin	Shur Grip	Clear/White	100
130-0120B	1 1/2"	Shur Grip	Clear/White	50
130-0130B	2"	Shur Grip	Clear/White	50

INDIVIDUAL ROLLS - WRAPPED

Part No.	Size	Type	Available Colors	Feet/Roll
110-0100	1/8" x 1/4"	Clear Vinyl	Clear	500
110-0110	1/4" x 3/8"	Clear Vinyl	Clear	1000
110-0120	3/8" x 9/16"	Clear Vinyl	Clear	500
110-012W	3/8" x 9/16"	White Vinyl	White	500
110-0140	3/4" x 1"	Clear Vinyl	Clear	150
110-014W	3/4" x 1"	White Vinyl	White	150
110-0150	3/4" x 1 1/16"	Clear Vinyl	Clear	100
110-016W	1" x 1 1/4"	White Vinyl	White	100
120-0110	1/2"	Flex	White	100
120-0120	3/4"	Flex	White	100
120-0130	1"	Flex	White	50
120-0140	1 1/2"	Flex	White	50
120-0150	2"	Flex	White	50
120-0160	2 1/2"	Flex	White	50
120-0170	3"	Flex	White	50
130-0110	3/4"	Shur Grip	Clear/White	100
130-0210	3/4" thin	Shur Grip	Clear/White	100
130-0120	1 1/2"	Shur Grip	Clear/White	50
130-0130	2"	Shur Grip	Clear/White	50

PALLET - BULK PACKED

Part No.	Size	Type	Available Colors	Feet/Pallet	Rolls/Pallet
110-010xPB	1/8" x 1/4"	Clear Vinyl	Clear (O), Red (R)	80,000	40
110-0110PB	1/4" x 3/8"	Clear Vinyl	Clear	40,000	40
110-0120PB	3/8" x 9/16"	Clear Vinyl	Clear	20,000	40
110-012WPB	3/8" x 9/16"	White Vinyl	White	20,000	40
110-0140PB	3/4" x 1"	Clear Vinyl	Clear	6,000	40
110-014WPB	3/4" x 1"	White Vinyl	White	6,000	40
110-0150PB	3/4" x 1 1/16"	Clear Vinyl	Clear	4,000	40
110-016WPB	1" x 1 1/4"	White Vinyl	White	2,800	28
120-0110PB	1/2"	Flex	White	6,800	68
120-0120PB	3/4"	Flex	White	5,600	56
120-0130PB	1"	Flex	White	2,800	56
120-0140PB	1 1/2"	Flex	White	1,200	24
120-0150PB	2"	Flex	White	900	18
120-0250PB	2" thin	Flex	White	900	18
120-0160PB	2 1/2"	Flex	White	800	16
120-0170PB	3"	Flex	White	400	8
130-0110PB	3/4"	Shur Grip	Clear/White	5,600	56
130-0210PB	3/4" thin	Shur Grip	Clear/White	5,600	56
130-0120PB	1 1/2"	Shur Grip	Clear/White	900	18
130-0130PB	2"	Shur Grip	Clear/White	800	16

PALLET - WRAPPED

Part No.	Size	Type	Available Colors	Feet/Pallet	Rolls/Pallet
110-0110P	1/4" x 3/8"	Clear Vinyl	Clear	40,000	40
110-0120P	3/8" x 9/16"	Clear Vinyl	Clear	20,000	40
110-012WP	3/8" x 9/16"	White Vinyl	White	20,000	40
110-0140P	3/4" x 1"	Clear Vinyl	Clear	6,000	40
110-0150P	3/4" x 1 1/16"	Clear Vinyl	Clear	4,000	40
110-016WP	1" x 1 1/4"	White Vinyl	White	2,800	28
120-0110P	1/2"	Flex	White	6,800	68
120-0120P	3/4"	Flex	White	5,600	56
120-0130P	1"	Flex	White	2,800	56
120-0140P	1 1/2"	Flex	White	1,200	24
120-0150P	2"	Flex	White	900	18
120-0160P	2 1/2"	Flex	White	800	16
120-0170P	3"	Flex	White	400	8
130-0110P	3/4"	Shur Grip	Clear/White	5,600	56
130-0210P	3/4" thin	Shur Grip	Clear/White	5,600	56
130-0120P	1 1/2"	Shur Grip	Clear/White	900	18
130-0130P	2"	Shur Grip	Clear/White	800	16

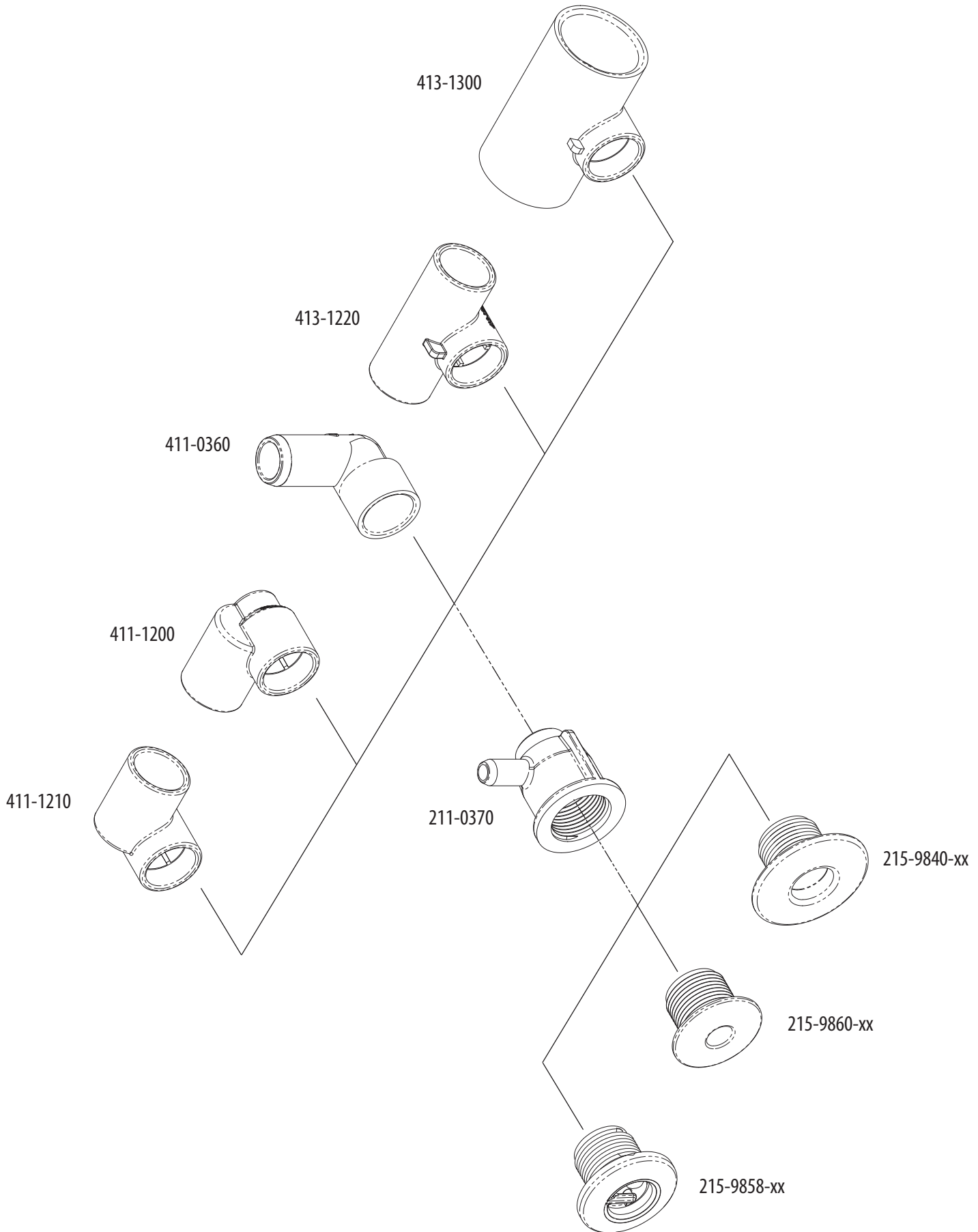
** Special roll lengths/cut straight lengths and colors available upon request. Replace the "x" in part numbers with color of your choice where necessary.



Technical Information

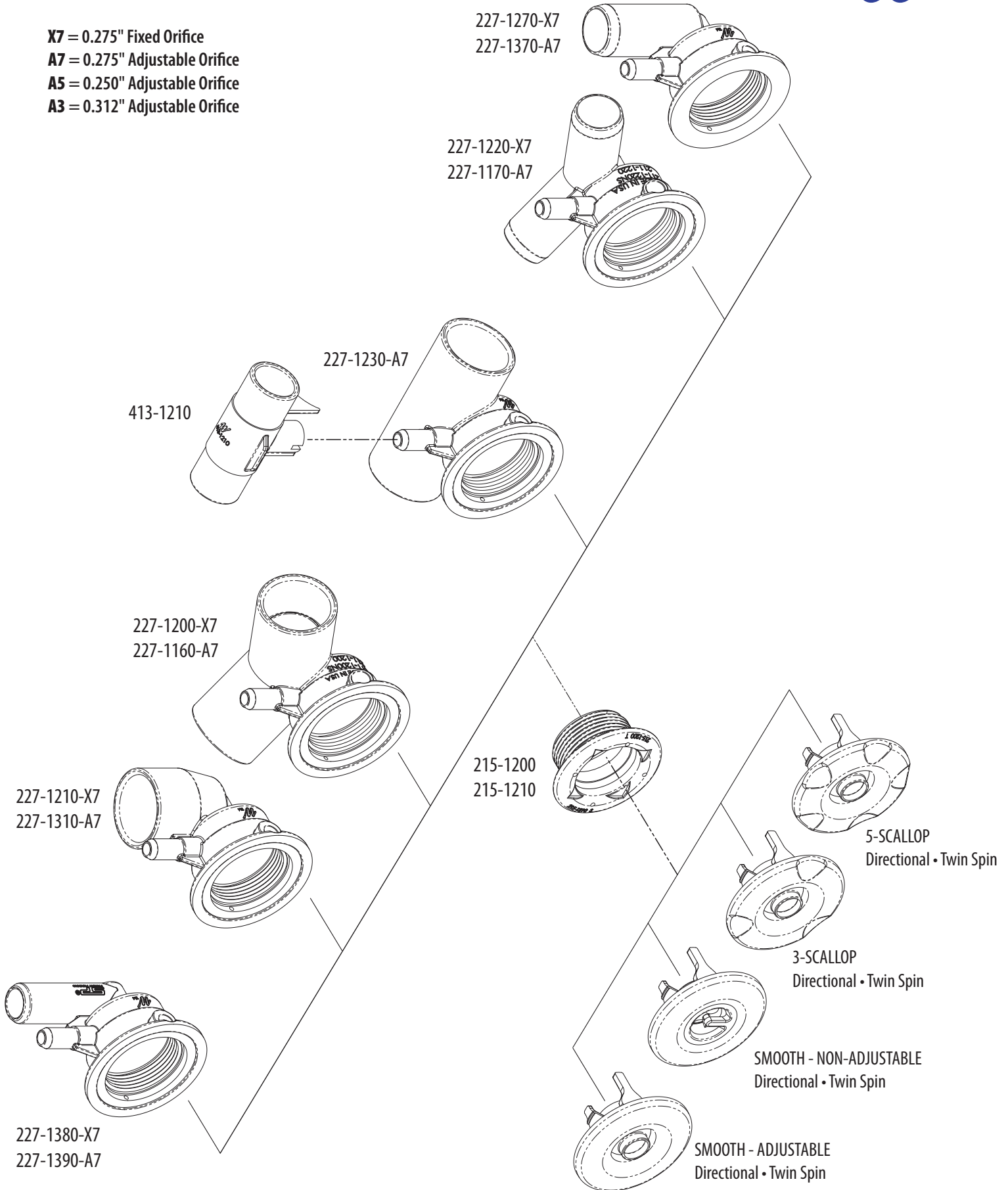


Technical Info / 150-CS Jet Series Exploded View



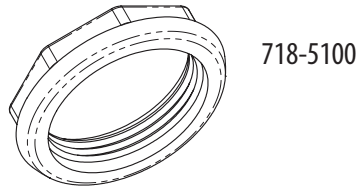


X7 = 0.275" Fixed Orifice
A7 = 0.275" Adjustable Orifice
A5 = 0.250" Adjustable Orifice
A3 = 0.312" Adjustable Orifice

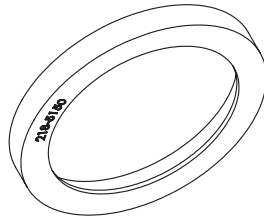




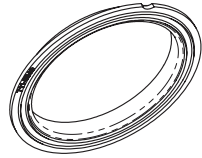
Technical Info / 200-LS Jet Series Exploded View



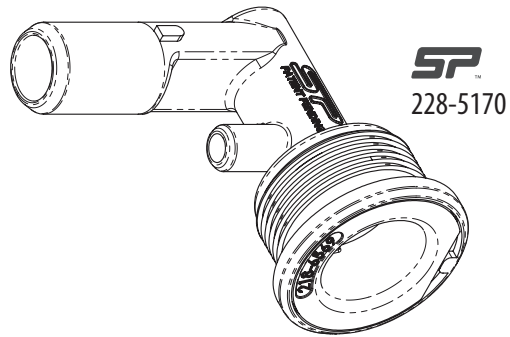
718-5100



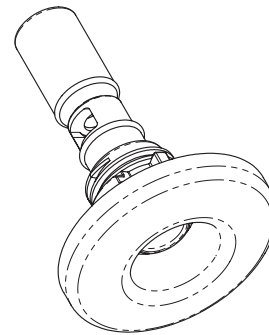
218-5150



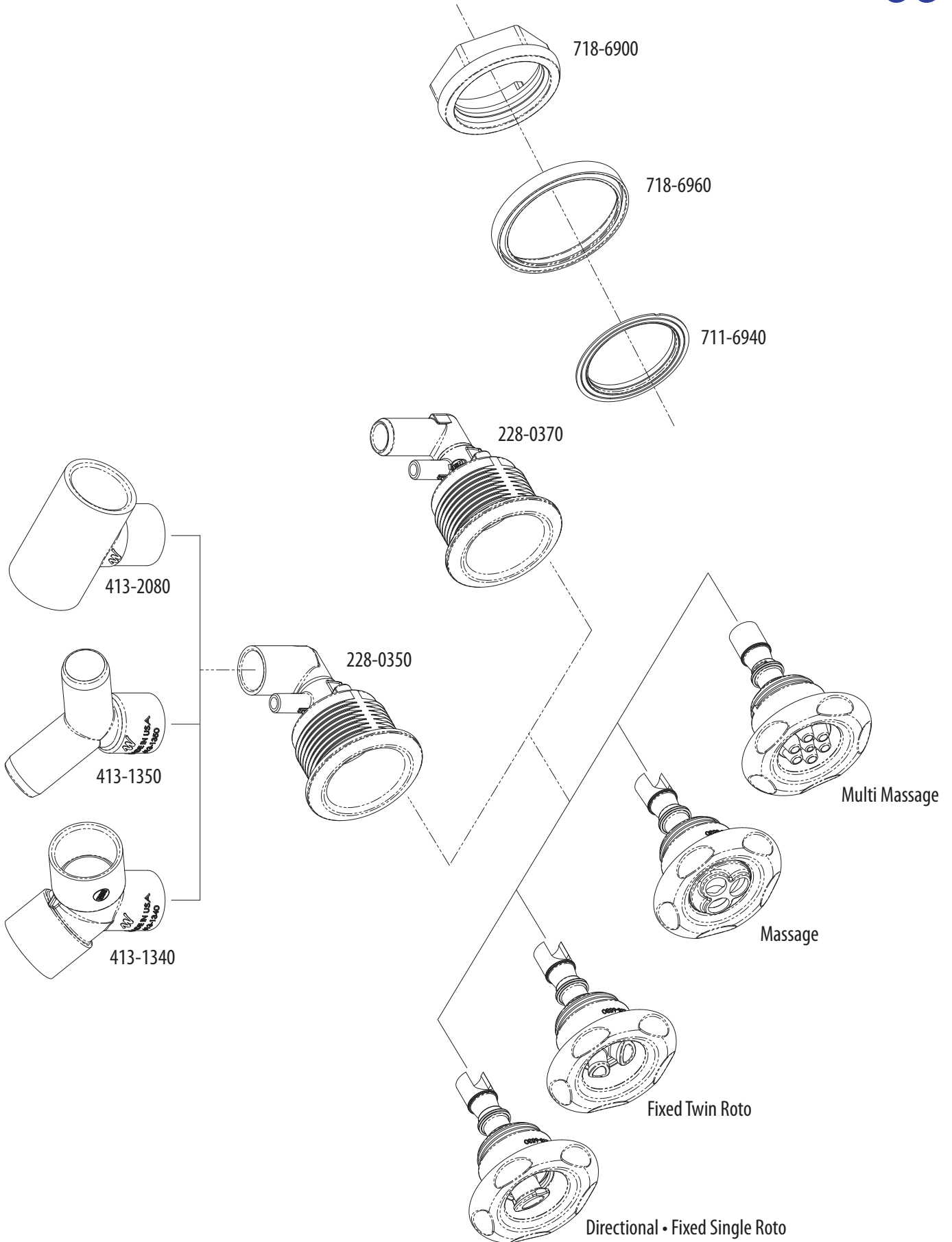
711-5040



SP
228-5170

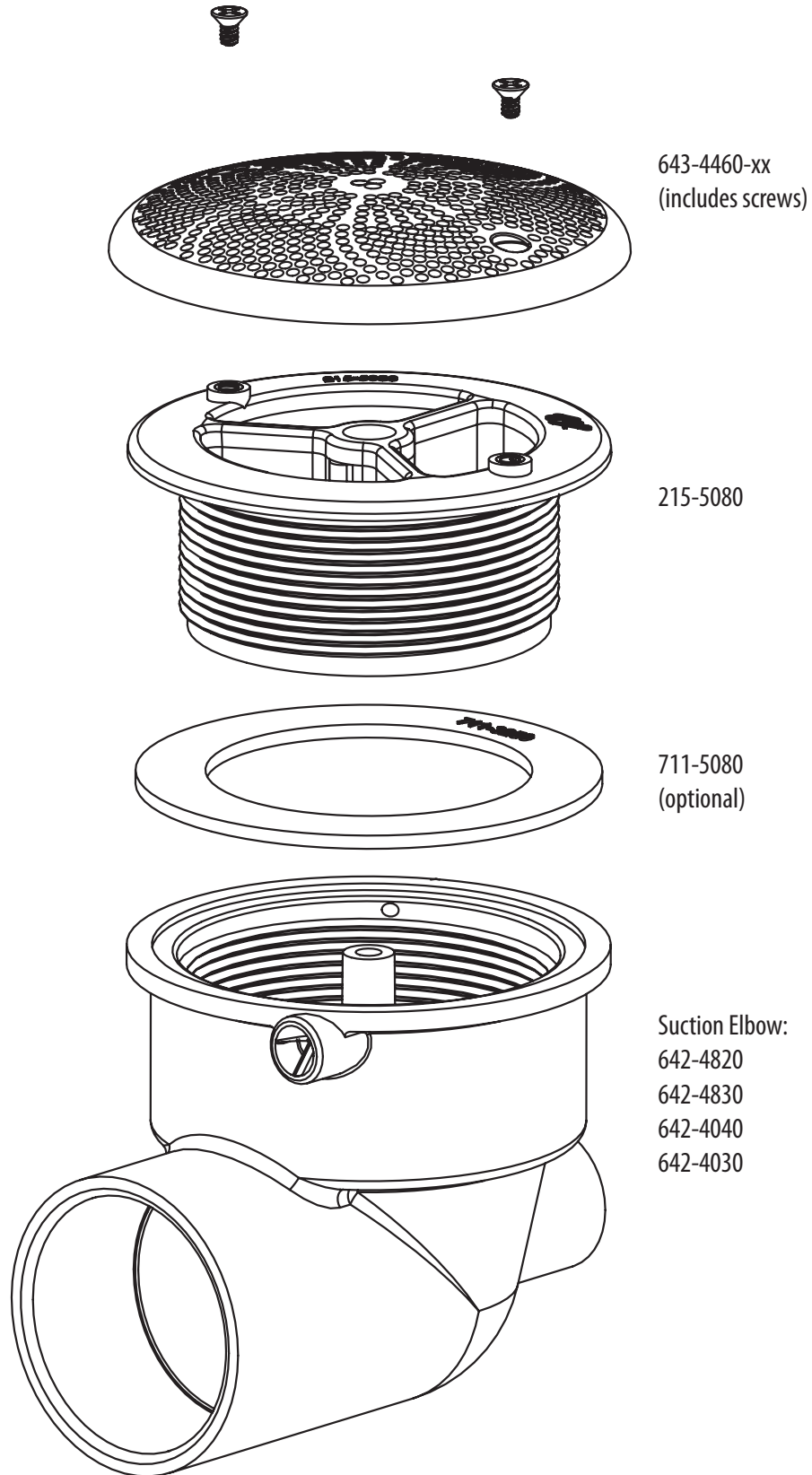


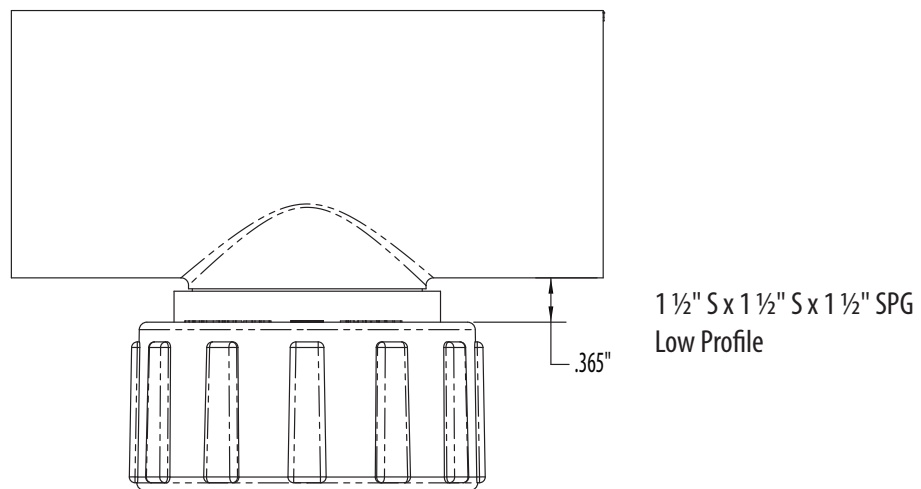
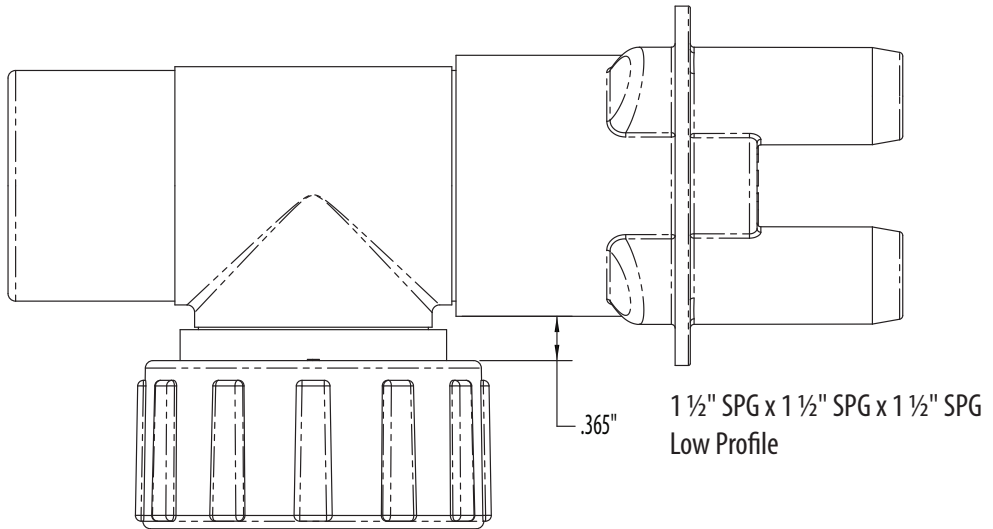
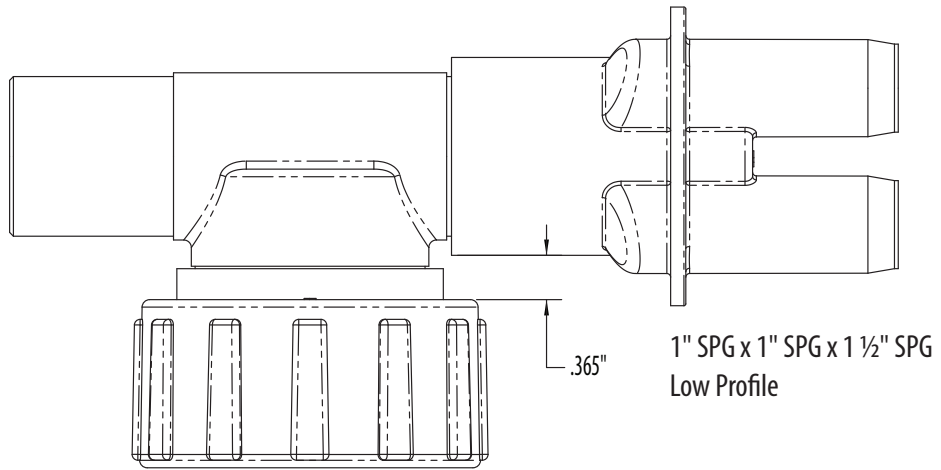
SMOOTH / 5-SCALLOP
Directional • Twin Roto •
Rifled • Multi Massage





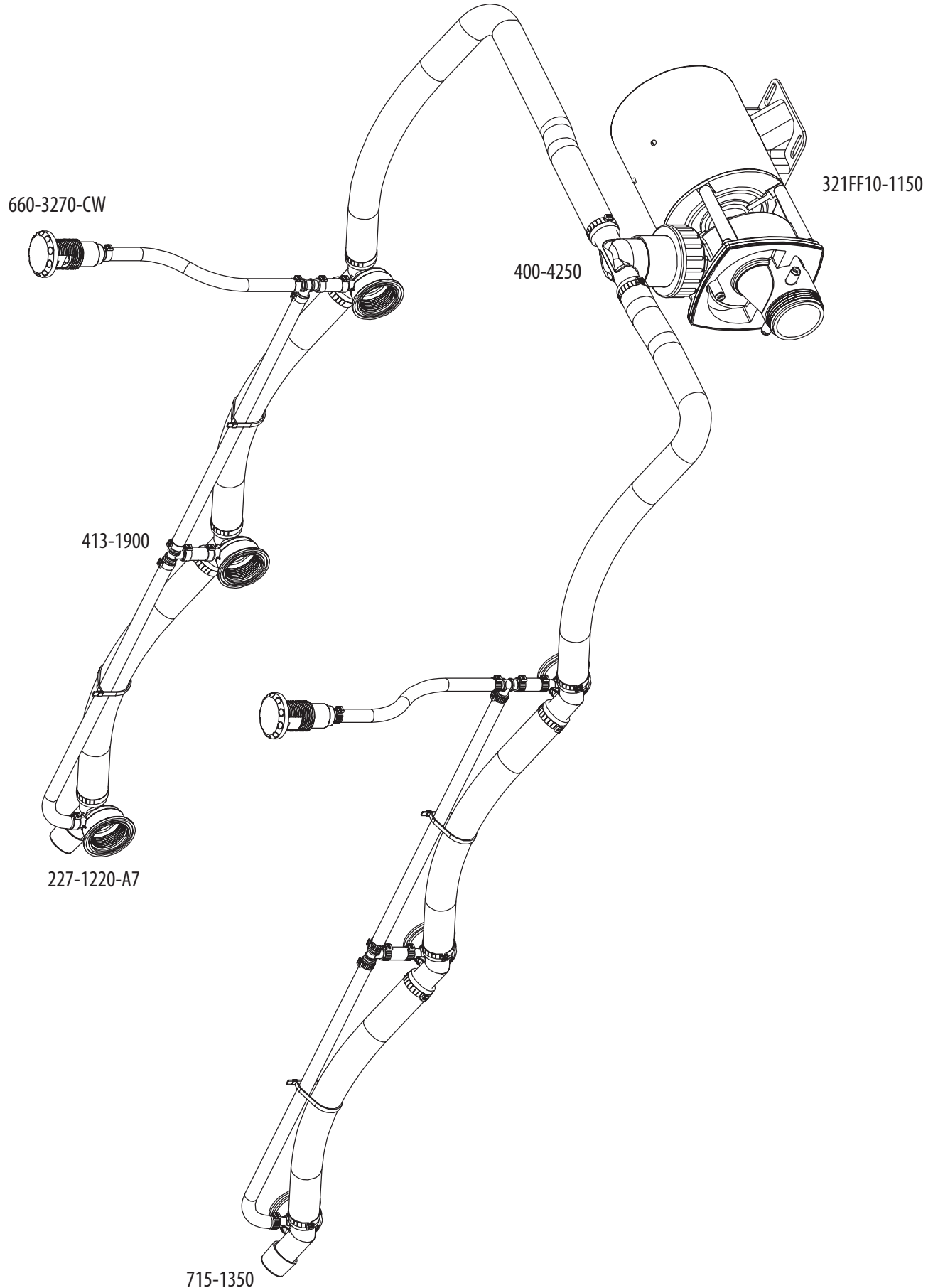
Technical Info / Designer Series Suction Exploded View

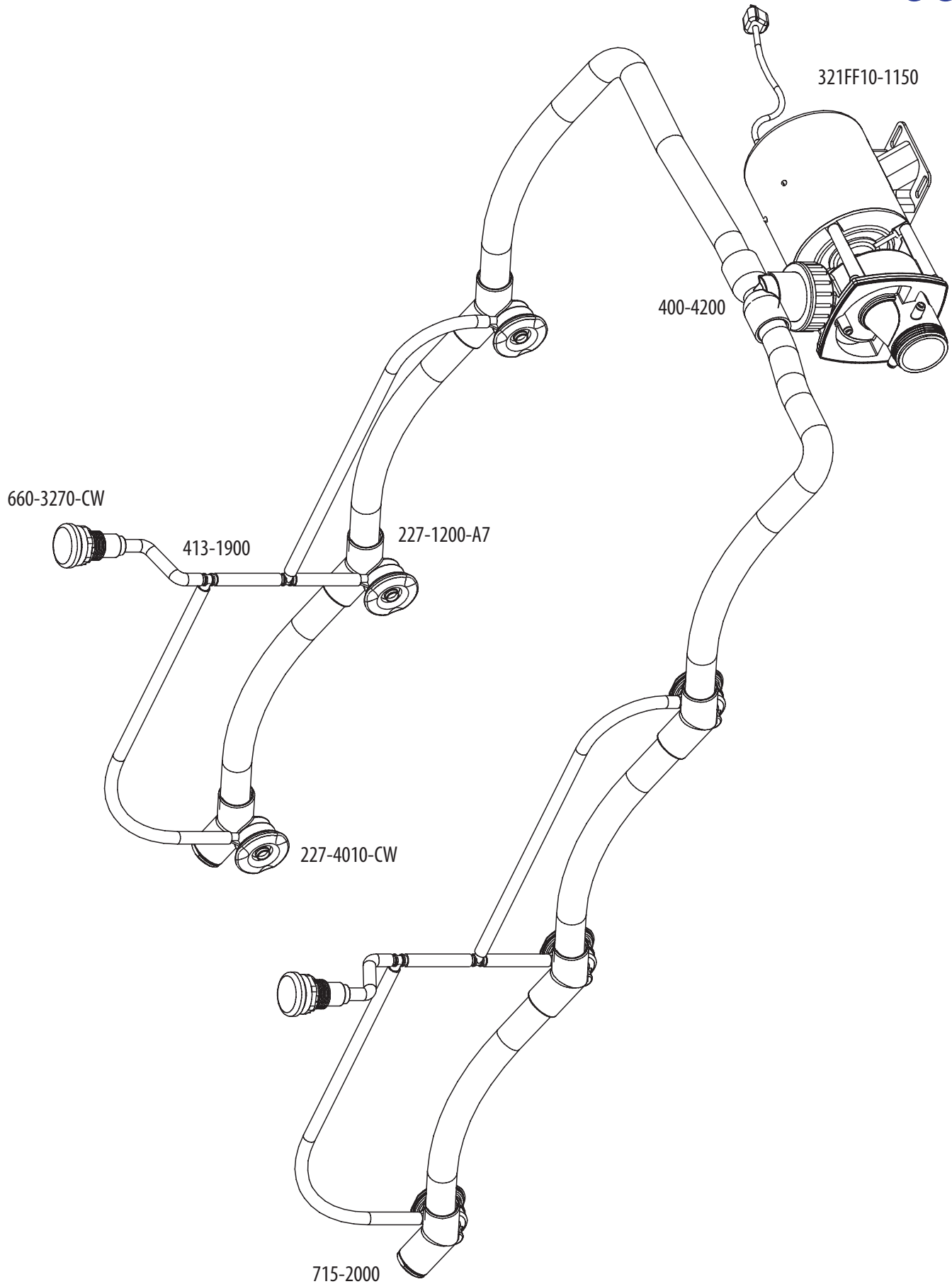






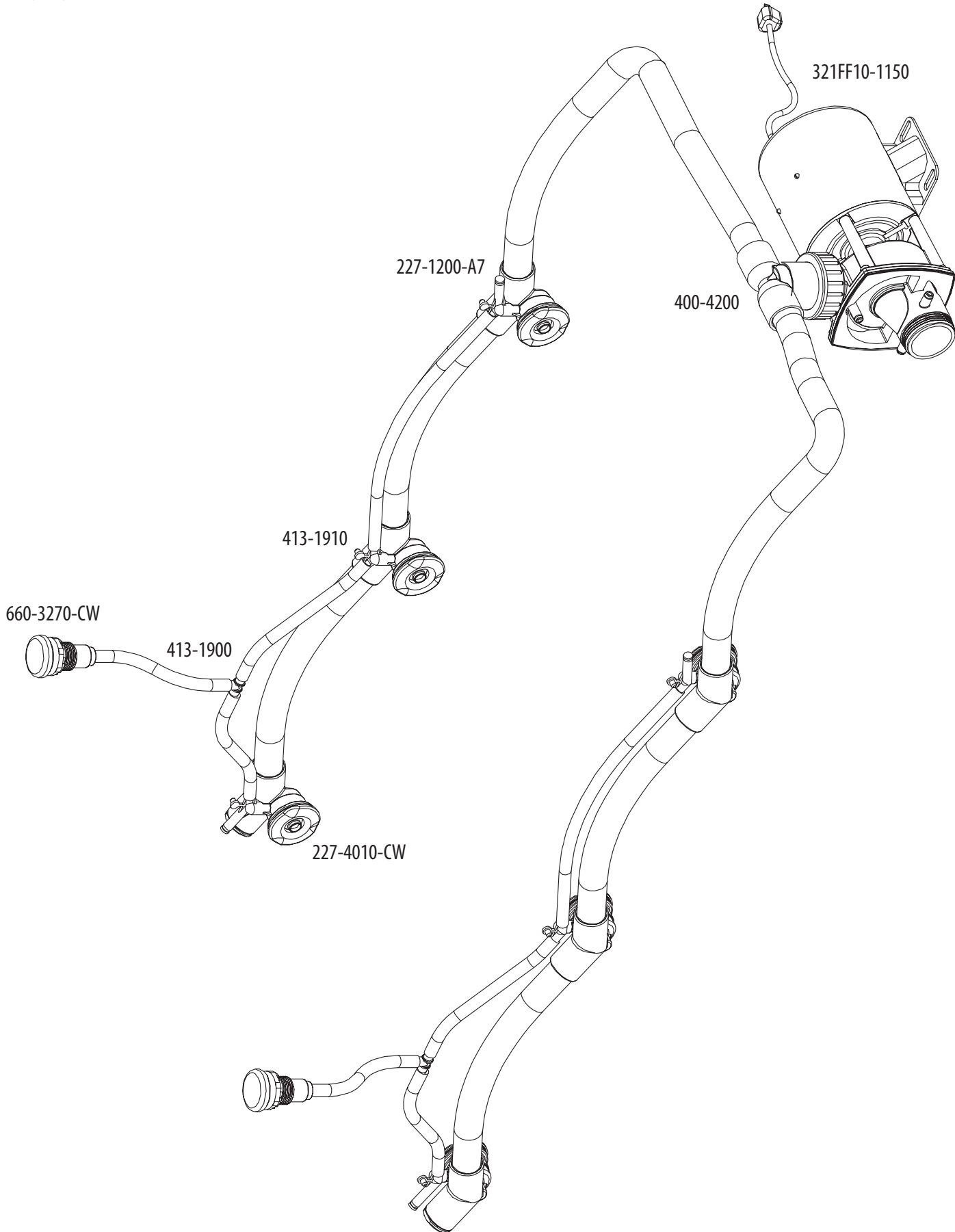
Technical Info / 250-CS / 250-ES Plumbing Example - 1" SB x 3/8" Tee Barb Air Lines

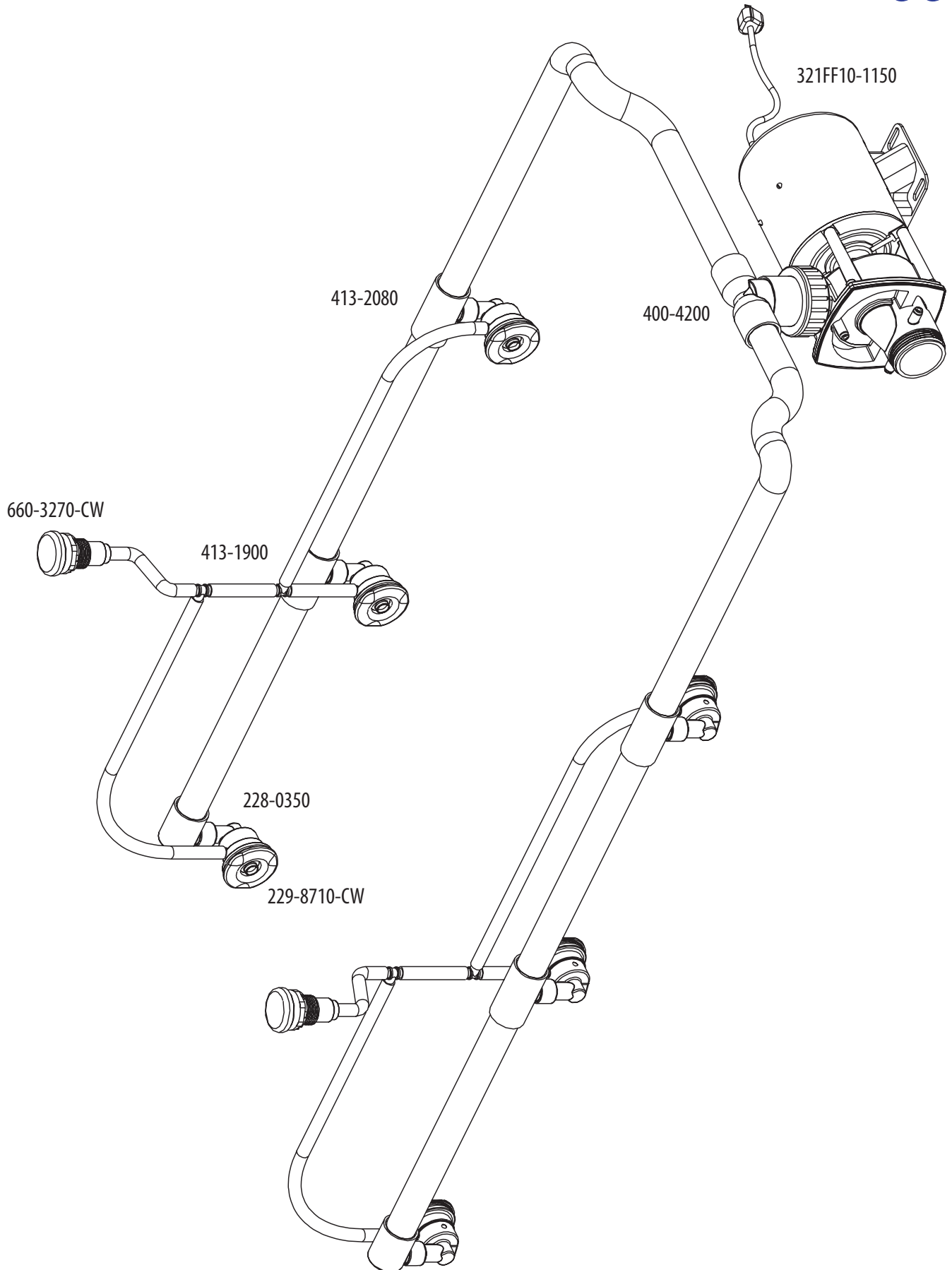






Technical Info / 250-CS / 250-ES Plumbing Example - 1" S x 3/8" Wye Barb Air Lines







Index



Bath Products Buyer's Guide / Index

Part No.	Page	Part No.	Page	Part No.	Page	Part No.	Page	Part No.	Page
110-010xB	HT-2	120-0130PB	HT-2	212-2301	J-7	227-1200-A3	J-7	227-4000-CW	J-6
110-010xPB	HT-2	120-0140	HT-2	212-2317	J-7	227-1200-A5	J-7	227-4008-BN	J-6
110-012W	HT-2	120-0140B	HT-2	212-2320	J-7	227-1200-A7	J-7	227-4008-OB	J-6
110-012WB	HT-2	120-0140P	HT-2	212-9858-BC	J-3	227-1200-X7	J-7	227-4008-PC	J-6
110-012WP	HT-2	120-0140PB	HT-2	212-9858-BN	J-3	227-1210-A3	J-7	227-4010-BC	J-6
110-012WPB	HT-2	120-0150	HT-2	212-9858-B0	J-3	227-1210-A5	J-7	227-4010-B0	J-6
110-014W	HT-2	120-0150B	HT-2	212-9858-CW	J-3	227-1210-A7	J-7	227-4010-CW	J-6
110-014WB	HT-2	120-0150P	HT-2	212-9858-OB	J-3	227-1210-X7	J-7	227-4018-BN	J-6
110-014WP	HT-2	120-0150PB	HT-2	212-9858-PC	J-3	227-1220-A3	J-7	227-4018-OB	J-6
110-014WPB	HT-2	120-0160	HT-2	215-1200	J-7	227-1220-A5	J-7	227-4018-PC	J-6
110-016W	HT-2	120-0160B	HT-2	215-1210	J-7	227-1220-A7	J-7	227-4020-BC	J-6
110-016WB	HT-2	120-0160P	HT-2	215-5080	S-3	227-1220-X7	J-7	227-4020-B0	J-6
110-016WP	HT-2	120-0160PB	HT-2	215-9840-BC	J-3	227-1230-A3	J-7	227-4020-CW	J-6
110-016WPB	HT-2	120-0170	HT-2	215-9840-BN	J-3	227-1230-A5	J-7	227-4028-BN	J-6
110-0100	HT-2	120-0170B	HT-2	215-9840-B0	J-3	227-1230-A7	J-7	227-4028-OB	J-6
110-0110	HT-2	120-0170P	HT-2	215-9840-CW	J-3	227-1230-X7	J-7	227-4028-PC	J-6
110-0110B	HT-2	120-0170PB	HT-2	215-9840-OB	J-3	227-1270-A3	J-7	227-4040-BC	J-6
110-0110P	HT-2	120-0250B	HT-2	215-9840-PC	J-3	227-1270-A5	J-7	227-4040-B0	J-6
110-0110PB	HT-2	120-0250PB	HT-2	215-9860-BC	J-3	227-1270-A7	J-7	227-4040-CW	J-6
110-0120	HT-2	130-0110	HT-2	215-9860-BN	J-3	227-1270-X7	J-7	227-4048-BN	J-6
110-0120B	HT-2	130-0110B	HT-2	215-9860-B0	J-3	227-1310-A3	J-7	227-4048-OB	J-6
110-0120P	HT-2	130-0110P	HT-2	215-9860-CW	J-3	227-1310-A5	J-7	227-4048-PC	J-6
110-0120PB	HT-2	130-0110PB	HT-2	215-9860-OB	J-3	227-1310-A7	J-7	227-4058-BC	J-6
110-0140	HT-2	130-0120	HT-2	215-9860-PC	J-3	227-1310-X7	J-7	227-4058-BN	J-6
110-0140B	HT-2	130-0120B	HT-2	217-1230	J-7	227-1330-A3	J-7	227-4058-B0	J-6
110-0140P	HT-2	130-0120P	HT-2	218-0750	J-7	227-1330-A5	J-7	227-4058-CW	J-6
110-0140PB	HT-2	130-0120PB	HT-2	218-0760	S-3	227-1330-A7	J-7	227-4058-OB	J-6
110-0150	HT-2	130-0130	HT-2	218-1000	J-7	227-1330-X7	J-7	227-4058-PC	J-6
110-0150B	HT-2	130-0130B	HT-2	218-5150	J-10	227-1370-A3	J-7	227-4068-BC	J-6
110-0150P	HT-2	130-0130P	HT-2	222-0030	J-15	227-1370-A5	J-7	227-4068-BN	J-6
110-0150PB	HT-2	130-0130PB	HT-2	222-0060	J-14	227-1370-A7	J-7	227-4068-B0	J-6
120-0110	HT-2	130-0210	HT-2	224-0050	J-14	227-1370-X7	J-7	227-4068-CW	J-6
120-0110B	HT-2	130-0210B	HT-2	224-0060	J-14	227-1380-A3	J-7, SP-3	227-4068-OB	J-6
120-0110P	HT-2	130-0210P	HT-2	224-0070	J-14	227-1380-A5	J-7, SP-3	227-4068-PC	J-6
120-0110PB	HT-2	130-0210PB	HT-2	227-1160-A3	J-7	227-1380-A7	J-7, SP-3	227-4078-BC	J-6
120-0120	HT-2	210-5250	J-14	227-1160-A5	J-7	227-1380-X7	J-7, SP-3	227-4078-BN	J-6
120-0120B	HT-2	210-6250	J-14	227-1160-A7	J-7	227-1390-A3	J-7, SP-3	227-4078-B0	J-6
120-0120P	HT-2	210-6300	J-14	227-1160-X7	J-7	227-1390-A5	J-7, SP-3	227-4078-CW	J-6
120-0120PB	HT-2	211-0370	J-3, SP-3	227-1170-A3	J-7	227-1390-A7	J-7, SP-3	227-4078-OB	J-6
120-0130	HT-2	212-1020	J-15	227-1170-A5	J-7	227-1390-X7	J-7, SP-3	227-4078-PC	J-6
120-0130B	HT-2	212-1030	J-15	227-1170-A7	J-7	227-4000-BC	J-6	227-4088-BC	J-6
120-0130P	HT-2	212-1040	J-15	227-1170-X7	J-7	227-4000-B0	J-6	227-4088-BN	J-6



Part No.	Page	Part No.	Page	Part No.	Page	Part No.	Page	Part No.	Page
227-4088-BO	J-6	229-1538-PC	J-10	229-7855-PC	J-12	229-8398-PC	J-12	229-9708-PC	J-10
227-4088-CW	J-6	229-7800-BC	J-11	229-7910-BC	J-11	229-8460-BC	J-11	229-9710-BC	J-10
227-4088-OB	J-6	229-7800-BO	J-11	229-7910-BO	J-11	229-8460-BO	J-11	229-9710-BO	J-10
227-4088-PC	J-6	229-7800-CW	J-11	229-7910-CW	J-11	229-8460-CW	J-11	229-9710-CW	J-10
228-0350	J-13	229-7808-BN	J-11	229-7915-BC	J-12	229-8468-BN	J-11	229-9718-BN	J-10
228-0370	J-13, SP-3	229-7808-OB	J-11	229-7915-BN	J-12	229-8468-OB	J-11	229-9718-OB	J-10
228-5170	J-10, SP-3	229-7808-PC	J-11	229-7915-BO	J-12	229-8468-PC	J-11	229-9718-PC	J-10
229-0100-BC	J-10	229-7810-BC	J-11	229-7915-CW	J-12	229-8470-BC	J-12	321FF10-0101	P-1
229-0100-BO	J-10	229-7810-BO	J-11	229-7915-OB	J-12	229-8470-BO	J-12	321FF10-0150	P-1
229-0100-CW	J-10	229-7810-CW	J-11	229-7915-PC	J-12	229-8470-CW	J-12	321FF10-1101	P-1
229-0108-BN	J-10	229-7815-BC	J-12	229-7918-BN	J-11	229-8478-BN	J-12	321FF10-1150	P-1
229-0108-OB	J-10	229-7815-BN	J-12	229-7918-OB	J-11	229-8478-OB	J-12	321HF10-0101	P-1
229-0108-PC	J-10	229-7815-BO	J-12	229-7918-PC	J-11	229-8478-PC	J-12	321HF10-0150	P-1
229-0110-BC	J-10	229-7815-CW	J-12	229-7930-BC	J-11	229-8480-BC	J-11	321HF10-1101	P-1
229-0110-BO	J-10	229-7815-OB	J-12	229-7930-BO	J-11	229-8480-BO	J-11	321HF10-1150	P-1
229-0110-CW	J-10	229-7815-PC	J-12	229-7930-CW	J-11	229-8480-CW	J-11	321JF10-0101	P-1
229-0118-BN	J-10	229-7818-BN	J-11	229-7938-BN	J-11	229-8488-BN	J-11	321JF10-0150	P-1
229-0118-OB	J-10	229-7818-OB	J-11	229-7938-OB	J-11	229-8488-OB	J-11	321JF10-1101	P-1
229-0118-PC	J-10	229-7818-PC	J-11	229-7938-PC	J-11	229-8488-PC	J-11	321JF10-1150	P-1
229-1500-BC	J-10	229-7820-BC	J-12	229-8370-BC	J-11	229-8490-BC	J-12	321NF10-0B01	P-1
229-1500-BO	J-10	229-7820-BO	J-12	229-8370-BO	J-11	229-8490-BO	J-12	321NF10-0B50	P-1
229-1500-CW	J-10	229-7820-CW	J-12	229-8370-CW	J-11	229-8490-CW	J-12	321NF10-1B01	P-1
229-1508-BN	J-10	229-7825-BC	J-12	229-8378-BN	J-11	229-8498-BN	J-12	321NF10-1B50	P-1
229-1508-OB	J-10	229-7825-BN	J-12	229-8378-OB	J-11	229-8498-OB	J-12	321NF10-0101	P-1
229-1508-PC	J-10	229-7825-BO	J-12	229-8378-PC	J-11	229-8498-PC	J-12	321NF10-0150	P-1
229-1510-BC	J-10	229-7825-CW	J-12	229-8380-BC	J-11	229-8710-BC	J-11	321NF10-1101	P-1
229-1510-BO	J-10	229-7825-OB	J-12	229-8380-BO	J-11	229-8710-BO	J-11	321NF10-1150	P-1
229-1510-CW	J-10	229-7825-PC	J-12	229-8380-CW	J-11	229-8710-CW	J-11	400-3145	P-2
229-1518-BN	J-10	229-7828-BN	J-12	229-8385-BC	J-12	229-8718-BN	J-11	400-3800	P-2
229-1518-OB	J-10	229-7828-OB	J-12	229-8385-BN	J-12	229-8718-OB	J-11	400-4060	P-2
229-1518-PC	J-10	229-7828-PC	J-12	229-8385-BO	J-12	229-8718-PC	J-11	400-4190	P-2
229-1520-BC	J-10	229-7835-BC	J-12	229-8385-CW	J-12	229-8720-BC	J-11	400-4200	P-2
229-1520-BO	J-10	229-7835-BN	J-12	229-8385-OB	J-12	229-8720-BO	J-11	400-4250	P-2
229-1520-CW	J-10	229-7835-BO	J-12	229-8385-PC	J-12	229-8720-CW	J-11	400-4730	P-2
229-1528-BN	J-10	229-7835-CW	J-12	229-8388-BN	J-11	229-8728-BN	J-11	400-4740	P-2
229-1528-OB	J-10	229-7835-OB	J-12	229-8388-OB	J-11	229-8728-OB	J-11	400-5461	F-9
229-1528-PC	J-10	229-7835-PC	J-12	229-8388-PC	J-11	229-8728-PC	J-11	400-5570	P-2
229-1530-BC	J-10	229-7855-BC	J-12	229-8390-BC	J-12	229-9700-BC	J-10	411-0360	J-3, SP-3
229-1530-BO	J-10	229-7855-BN	J-12	229-8390-BO	J-12	229-9700-BO	J-10	411-1200	J-3
229-1530-CW	J-10	229-7855-BO	J-12	229-8390-CW	J-12	229-9700-CW	J-10	411-1210	J-3
229-1538-BN	J-10	229-7855-CW	J-12	229-8398-BN	J-12	229-9708-BN	J-10	411-2000	F-5
229-1538-OB	J-10	229-7855-OB	J-12	229-8398-OB	J-12	229-9708-OB	J-10	411-2010	F-5



Bath Products Buyer's Guide / Index

Part No.	Page	Part No.	Page	Part No.	Page	Part No.	Page	Part No.	Page
411-2020	F-5	421-4070	F-8	650-3040-BO	A-3	662-1960-BC	A-7	675-3550S	M-4
411-3800	F-5	425-0200	V-3, SP-4, F-3	650-3040-CW	A-3	662-1960-BN	A-7	675-3558L	M-4
411-4000	F-5	425-0210	V-3, SP-4, F-3	650-3040-OB	A-3	662-1960-BO	A-7	675-3558LS	M-4
411-4010	F-6	425-0220	S-3, V-3, SP-4, F-3	650-3040-PC	A-3	662-1960-CW	A-7	675-3600	M-4
411-4040	F-5	425-0230	F-3	650-3060-BC	A-3	662-1960-OB	A-7	675-3600S	M-4
411-4050	F-6	425-1070	SP-3, F-4, F-8	650-3060-BN	A-3	662-1960-PC	A-7	675-3608L	M-4
411-4080	F-5	425-2010	F-4	650-3060-BO	A-3	662-3250	A-7	675-3608LS	M-4
411-5030	F-5	425-4040	F-3	650-3060-CW	A-3	670-1100	V-3	675-3660	M-4
411-5550	F-6	425-5010	F-3	650-3060-OB	A-3	670-2220	V-3	675-3660S	M-4
411-6050	F-5	429-4000	F-7	650-3060-PC	A-3	670-2270	V-3	675-3668L	M-4
411-6060	F-5	600-0500	V-3	650-3070-BC	A-3	670-2850-BC	M-3	675-3668LS	M-4
411-9100	F-6	600-0510	V-3	650-3070-BN	A-3	670-2850-BN	M-3	675-4000	M-4
411-9110	F-6	630-0005	M-3	650-3070-BO	A-3	670-2850-BO	M-3	675-4000S	M-4
413-1210	J-7	630-0038	M-3	650-3070-CW	A-3	670-2850-CW	M-3	675-4008L	M-4
413-1220	J-3	630-5525	M-3	650-3070-OB	A-3	670-2850-OB	M-3	711-0010	J-14
413-1300	J-3	630-5535	M-3	650-3070-PC	A-3	670-2850-PC	M-3	711-5040	J-10
413-1340	J-13	630-6008NI	M-3	660-3210	A-7	672-0400	F-2	711-5080	S-3
413-1350	J-13	630-6410-BC	M-3	660-3240	A-7	672-0550	SP-4, F-2	711-6940	J-13
413-1800	SP-3	630-6410-BN	M-3	660-3270-BC	A-7	672-1170	P-2	715-0000	F-4
413-1890	F-7	630-6410-BO	M-3	660-3270-BN	A-7	672-1430	SP-2	715-0340	SP-2
413-1900	SP-4, F-3	630-6410-CW	M-3	660-3270-BO	A-7	672-1440	SP-2	715-1350	J-13, F-4, F-9
413-1910	SP-4, F-3	630-6410-OB	M-3	660-3270-CW	A-7	672-1450	SP-2	715-2000	J-13, F-4
413-1940	SP-4, F-3	630-6410-PC	M-3	660-3270-OB	A-7	672-1460	SP-2	715-2150	SP-3, F-4
413-1980	F-7	642-4030	S-3	660-3270-PC	A-7	672-4010	V-3, F-2	715-4000	F-9
413-2000	F-6	642-4040	S-3	660-3280-BC	A-7	672-4030	V-3, F-2	715-9850	F-9
413-2030	F-6	642-4820	S-3	660-3280-BN	A-7	672-4070	SP-4, F-2	715-9870	F-9
413-2060	F-6	642-4830	S-3	660-3280-BO	A-7	672-4100	F-2	718-5100	J-10
413-2080	J-13, F-6	643-4460-BC	S-3	660-3280-CW	A-7	672-4140	SP-2	718-6900	J-13
413-4000	F-6	643-4460-BN	S-3	660-3280-OB	A-7	672-4150	SP-2	718-6960	J-13
413-4130	F-7	643-4460-BO	S-3	660-3280-PC	A-7	672-4370	F-2	813-4364S	M-3
413-4150	F-7	643-4460-CW	S-3	660-3290-BC	A-7	672-4410	SP-2	813-4370	M-3
413-4360	F-8	643-4460-OB	S-3	660-3290-BN	A-7	672-4690	SP-4, F-2	916-0020	J-15
415-4000	F-9	643-4460-PC	S-3	660-3290-BO	A-7	672-4770	SP-2	916-1250	J-14
417-2000	F-9	650-3020	A-3	660-3290-CW	A-7	672-4960	SP-2		
417-4000	F-9	650-3030-BC	A-3	660-3290-OB	A-7	672-5060	F-2		
417-4080	F-9	650-3030-BN	A-3	660-3290-PC	A-7	672-5080	F-2		
419-0900	SP-3, F-8	650-3030-BO	A-3	662-1950-BC	A-7	672-5200	SP-2		
419-1000	SP-4, F-3	650-3030-CW	A-3	662-1950-BN	A-7	675-3500	M-4		
419-1920	SP-3, F-8	650-3030-OB	A-3	662-1950-BO	A-7	675-3500S	M-4		
421-1050	F-8	650-3030-PC	A-3	662-1950-CW	A-7	675-3508L	M-4		
421-4020	F-8	650-3040-BC	A-3	662-1950-OB	A-7	675-3508LS	M-4		
421-4030	F-8	650-3040-BN	A-3	662-1950-PC	A-7	675-3550	M-4		

