

IN-FLOOR RETURN – PVC

INSTRUCTIONS

640-900X

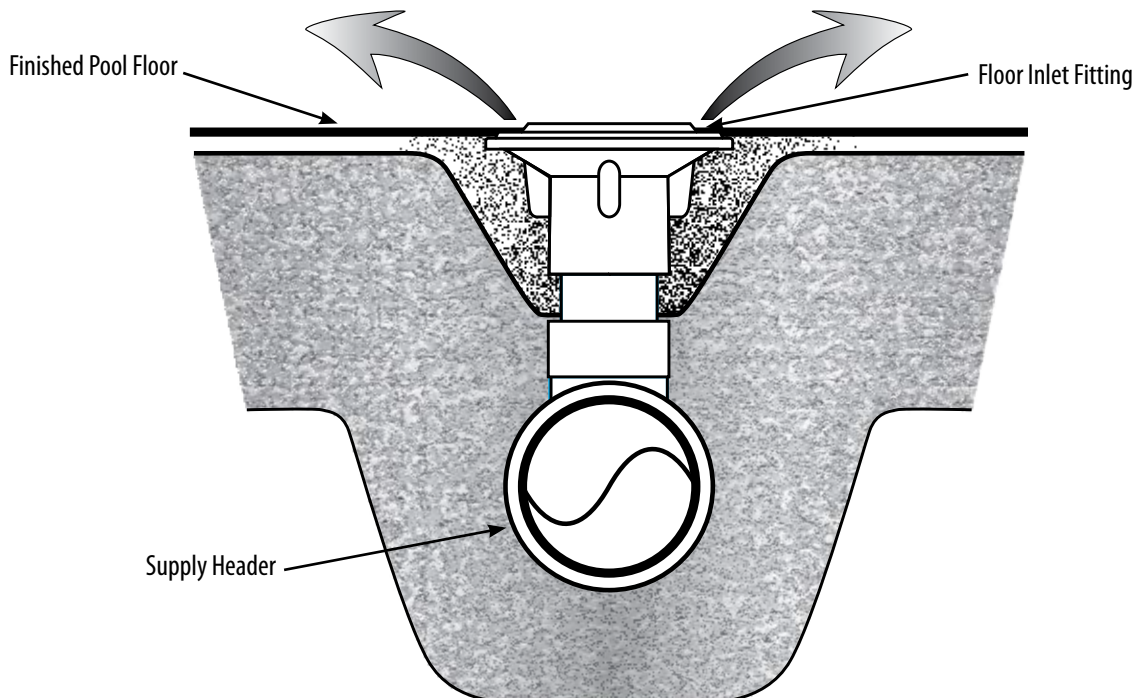
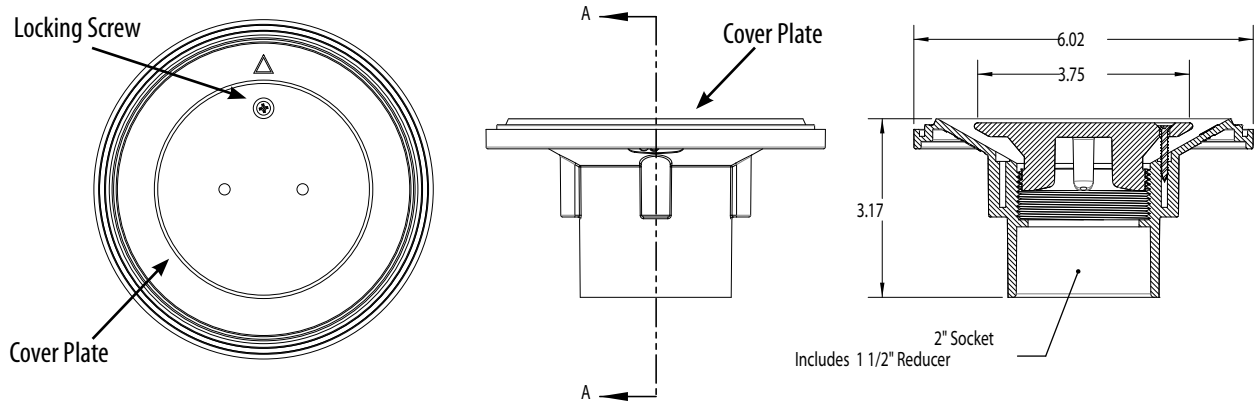
WARNING



Read and follow all instructions in this owner's manual and on the equipment.
Failure to follow instructions can cause severe injury and/or death.



Use of this fitting as a suction outlet is hazardous. Risk of hair entrapment, drowning or disembowment.
Do not use cover on any suction or outlet fitting. Use only as exact replacement cover on a floor inlet fitting.



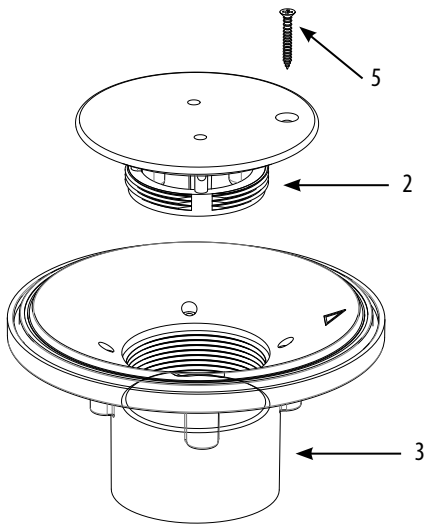
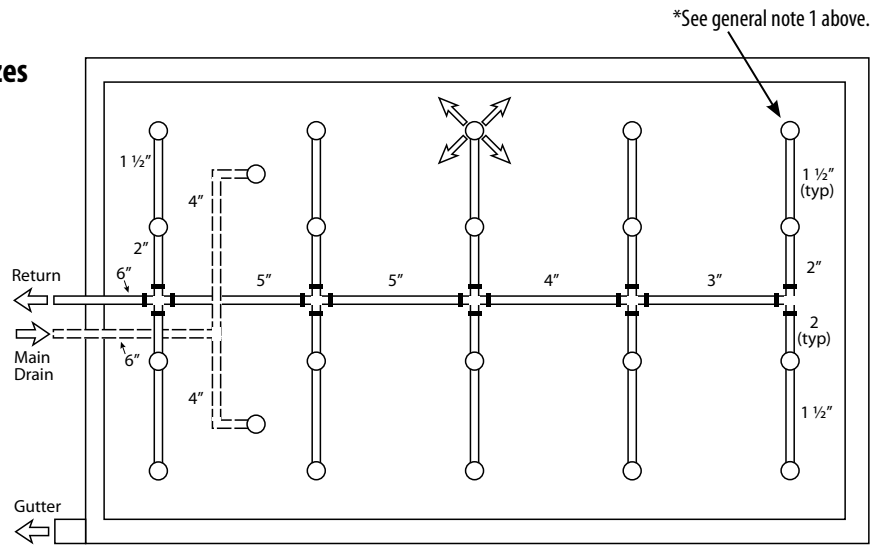
Please see other side for specifications.

Flow Chart for 2" Floor Inlet 640-900X G.P.M. / P.S.I. at Turns Open

TURNS OPEN	LBS. PER SQ. INCH AT INLET																				GALLONS PER MINUTE
	.5	1	1.5	2	2.5	3	3.5	4	4.5	5	5.5	6	6.5	7	7.5	8	8.5	9	9.5	10	
1/4	5	10	11	13	15	16	17	18	19	20	22	23	25	26	27	28	29	30	31	32	GALLONS PER MINUTE
1/2	9	15	20	25	29	32	35	38	40	43	45	47	49	51	53	55	57	59	60	62	
3/4	19	27	33	38	43	47	52	55	58	62	64	67	70	72	75	77	80	82	84	86	
1	28	38	45	52	58	63	63	72	76	80	84	87	90	93	96	100	-	-	-	-	
1-1/2	46	58		67	76	83	90	96	-	-	-	-	-	-	-	-	-	-	-	-	
2	64	80		92	103	-	-	-	-	-	-	-	-	-	-	-	-	-	-	-	
2-1/2	74	93		-	-	-	-	-	-	-	-	-	-	-	-	-	-	-	-	-	

- In calculating head loss for in return piping, design 8 ft. of head pressure (3.47 PSI) at last inlet fitting to provide sufficient pressure throughout return system for proper distribution of heated water and chemicals.*
- All pressure return lines should be sized at 8 ft. per second. If using copper lines, they should not exceed 8 feet as erosion will take place at sharp turns causing serious damage to pool structure and surrounding decking if lines are buried. Check local code requirements.

Suggested Line Sizes



	Part #	Description
1	640-9000	Floor Return Fitting Assembly
2	215-4850	Adjustable Floor Return Fitting
3	215-8200	Floor Return Body
4	808-0243	Warning Label for Suction
5	819-0054	Screw #6 X 1" PFH 316 SS
7	421-4070	2" x 1 1/2" Reducer Bushing
8	900-1012WW	Poly Bag w/Logo 10x12

WARRANTY

For product registration visit: www.waterwayplastics.com.
For Warranty questions or claims please contact point of purchase.



2200 East Sturgis Road, Oxnard CA 93030 • Phone 805.981.0262 • Fax 805.981.9403

www.waterwayplastics.com • waterway@waterwayplastics.com