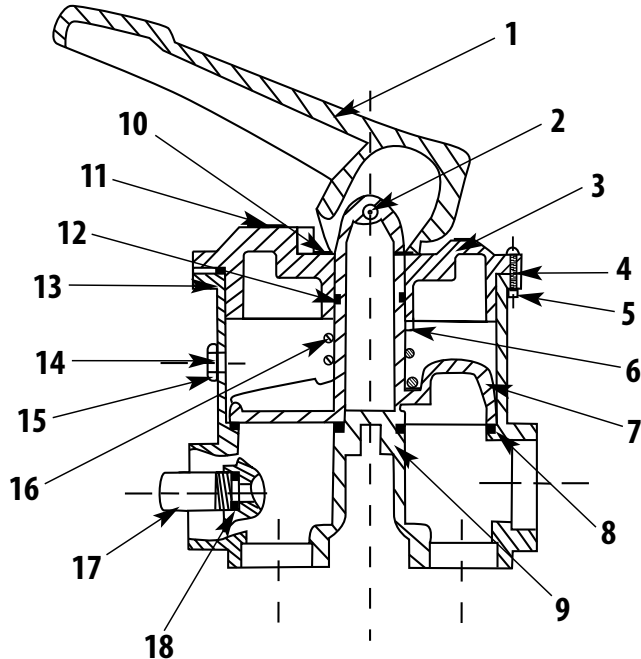


# SIDE-MOUNT MULTI-PORT VALVE INSTRUCTIONS



## SIDE-MOUNT MULTI-PORT VALVE PARTS

Item	Description	Item	Description
1	Handle	10	Washer
2	Handle Pin	11	Label
3	Cover	12	O-Ring
4	Screw	13	O-Ring
5	Nut	14	Plug
6	Washer	15	O-Ring
7	Diverter	16	Spring
8	Star Gasket	17	Sight Glass
9	Housing	18	Gasket

## FUNCTIONS OF VALVE POSITIONS

**VALVE SETTING:** Flow direction through valve.

**FILTER:** Pump top through filter bottom return - For normal filtration and vacuuming pool through filter.

**BACKWASH:** Pump bottom through filter top waste - For reversing flow for cleaning filter.

**RINSE:** Pump top through filter bottom waste - For initial start-up cleaning plus resetting filter bed after back washing.

**WASTE:** Pump waste for vacuuming directly to waste, lowering pool level / draining pool.

**CLOSED:** No circulation past pump port - For shutting off ALL flow to filter and pool.

**RECIRCULATE:** Pump return - For by-passing filter, but circulating pool water. May be plumbed for "off-system" pool water access. Ideal for jet-air fittings.

## GENERAL INSTRUCTIONS

Pipe Tab boss provided for optional influent pressure gauge for filter air relief tube (optional). Tap valve at either RETURN or BOTTOM port areas. **DO NOT** obstruct pipe threads. Always use Teflon pipe tape or Permatex No. 2 for connections to provide a good "living" seal. Add extra sealant if male pipe fitting is undersized.

To winterize filter and pump per manufacturer's instructions. To drain water from valve, depress and rotate valve handle and place handle pointer on raised portion of index hubs at any "in-between" position. If it becomes necessary to service or gain access to the valve seat gasket, set handle in filter position, remove cover screws and lift cover and key assembly out.

To assemble, place valve key so that wedge opening is at TOP PORT (Handle in Filter Position). Flat edge of cover screw lug should align with flat edge of body screw lug. Position cover o-ring. Secure assembly to body with cover screws. Tighten cover screws evenly and alternately. **DO NOT** over-tighten.

## WARRANTY

For product registration visit: [www.waterwayplastics.com](http://www.waterwayplastics.com).  
For Warranty questions or claims please contact point of purchase.



2200 East Sturgis Road, Oxnard CA 93030 • Phone 805.981.0262 • Fax 805.981.9403

[www.waterwayplastics.com](http://www.waterwayplastics.com) • [waterway@waterwayplastics.com](mailto:waterway@waterwayplastics.com)