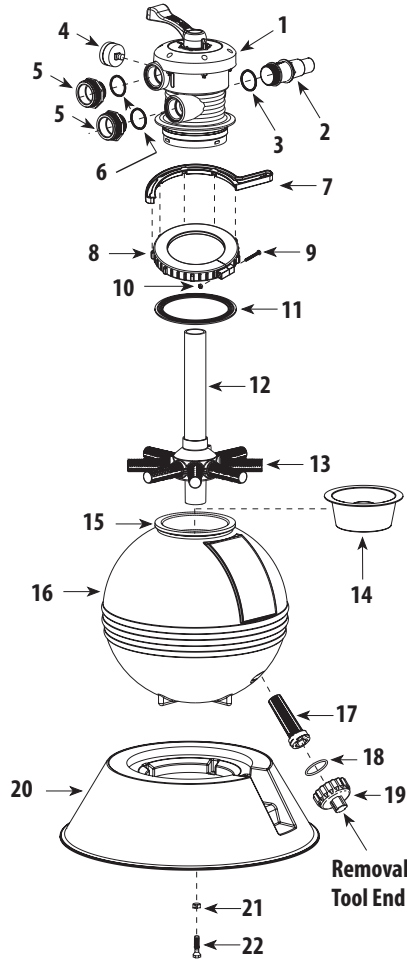


ClearWater™

HIGH RATE SAND FILTER

SAND FILTER PARTS LIST

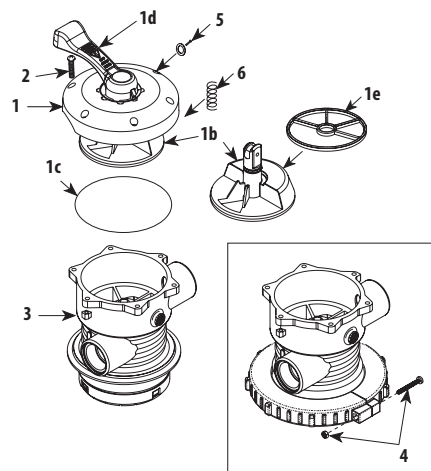
Item	Part No.	Description
1	WVS003	Multi-Port Valve Assembly
2	425-1928	Waste Adapter Fitting
3	805-0224	O-Ring
4	830-3000	PSI Gauge
5	417-4161	1 1/2" Buttress x 1 1/2" MPT Fitting (2)
6	805-0224	1 1/2" Buttress x 1 1/2" MPT Fitting O-Ring (2)
7	505-1970	Collar Wrench
8	718-1960	Split Nut - Sand Filter
9	819-0015	Screw - 1/4"-20 PPH x 2"
10	820-0013	Serrated Hex Nut- 1/4"-20
11	805-0435	O-Ring
12	505-2040	Lateral - Manifold Assembly for 16" Filter
	505-2050	Lateral - Manifold Assembly for 19" Filter
	505-2060	Lateral - Manifold Assembly for 22" Filter
	505-2080	Lateral - Manifold Assembly for 26" Filter
13	505-1930	Lateral
14	502-2011	Sand Fill Guide
15	505-1960	Threaded Sleeve for Split Nut
16	515-1601	16" Sand Filter Body
	515-1901	19" Sand Filter Body
	515-2001	22" Sand Filter Body
	515-2061	26" Sand Filter Body
17	602-5311	Self-threading Drain Screen
18	805-0224	O-Ring
19	602-5301	Drain Cap & Removal Tool
20	672-7211	Filter Base
21	820-0017	3/8" Flat Washer
22	819-0016	Bolt - 22" or 26" Sand Filter 3/8" - 16 x 2" Hex
	819-0019	Bolt - 19" Sand Filter 3/8" - 16 x 1 1/2" Hex
	819-0020	Bolt - 16" Sand Filter 3/8" - 16 x 1 1/4" Hex
--	810-0118	Instruction Sheet



ClearWater Sand Filters are the latest in pool filter technology. The spherical tank design evenly distributes the pressure resulting in greater strength and longer life.

MULTI-PORT VALVE ASSEMBLY PARTS LIST

Item	Parts No.	Description
1	600-9600	Multi-Port Lid Assembly
1b	600-9500	Diverter Valve Assembly with Gasket
1c	805-0254	Lid O-Ring
1d	602-1931	Lid Handle Only
1e	711-1910B	Diverter Gasket (Spider)
(NOTE: We recommend purchasing gasket glued into diverter by the factory)		
2	819-0010	Lid Screw
3	820-0013	Hex Nut
4	800-0100	Split-Nut Bolt & Nut
5	800-0150	O-Ring Kit with Pin & Washer
6	827-0002	Spring



INSTALLATION INSTRUCTIONS

1. Open box and remove Filter and Multi-Port Valve Assembly.
2. **IMPORTANT:** To prevent damage to internal filter lateral components, fill filter tank full with water prior to adding sand. With Sand Fill Guide (#14) positioned in filter tank opening, add only recommended #20 grade silica sand (see Fill Chart). Remove Sand Fill Guide. **IMPORTANT: Clean and remove all debris from filter tank flange after adding sand.**
3. Assure that O-Ring (#11) is positioned onto Multi-Port throat.
4. Install Multi-Port Valve with inlet and outlet ports facing pool. Top of internal sand pipe seats directly into Multi-Port Valve. Push Multi-Port Valve evenly onto tank flange.
Note: Make sure tank flange is clear of any sand debris.
5. Install Split-Nut (#8 & 9) by threading collar clockwise until hand tight. Then use collar wrench to tighten further.
6. To use collar wrench (#7) place on collar assembly and use both hands to turn wrench $\frac{1}{2}$ to $\frac{3}{4}$ of a turn to secure Multi-Port Valve to filter body.


WINTERIZATION

1. **Backwash** filter system completely (follow cleaning instructions).
2. Run a filter cleaning chemical through filter system.
3. **Turn pump off.** Disconnect hoses from skimmer and return fitting.
4. To drain water, remove drain cap (#19) from bottom of filter tank. **DO NOT** remove drain screen (#17). To flush sand from tank, remove Self-Threading Drain Screen (#17) by turning the Drain Cap (#19) around and using as a removal tool.
5. Unscrew drain plugs located at bottom of pump trap and front of pump housing. Let water drain completely.
6. Disconnect filter to pump connection. Loosen union connection on discharge of pump and remove from pump. **DO NOT** lose 2" union gasket. Lift and remove pump and pump base from filter base. Store inside.

 **WARNING: NEVER CHANGE VALVE POSITION WITH PUMP RUNNING!**

CLEANING INSTRUCTIONS

NOTE: When pressure gauge reading is 5 PSI or higher than original starting pressure, the filter needs to be cleaned. The ClearWater Sand Filter System features our exclusive 7-Position Multi-Port Valve, which ensures safe and simple filter maintenance.

 **Pressurized vessel. Never attempt to loosen or open Split-Nut Assembly (#8 & 9) while system is running. It could cause severe injury or harm to user.**

1. Turn off pump.
2. Attach **Backwash** hose (optional) to waste port adapter.
3. Rotate Multi-Port Valve handle to **Backwash** position. **Turn pump on** and run for 90 second intervals or until discharge water is clear. **Turn pump off.**
4. Rotate Multi-Port Valve Valve handle to **Rinse** position. **Turn pump on** for 30 seconds.
5. Repeat steps 3 & 4 until all discharge water is clear while pump is turned on.
6. **Turn pump off.** Rotate Multi-Port Valve valve handle to **Filter** position. **Turn pump on.** Valve is now in normal operating position.

TROUBLESHOOTING

INADEQUATE FILTERING:

- Sand level too low
- Inadequately cleaned system
- Excessive dirt load
- Chemical imbalance
- Inadequate system pressure

NO WATER FLOW:

- Obstruction of suction or return line
- Clogged impeller
- Suction system air leaks
- Slice valve closed
- Clogged hose fitting
- Clogged basket
- Dirty sand

Sand Fill Chart:

- 16" Model - 50 lbs.
- 19" Model - 100 lbs.
- 22" Model - 150 lbs.
- 26" Model - 200 lbs.

WARRANTY

For product registration visit: www.waterwayplastics.com.
For Warranty questions or claims please contact point of purchase.



2200 East Sturgis Road, Oxnard CA 93030 • Phone 805.981.0262 • Fax 805.981.9403

www.waterwayplastics.com • waterway@waterwayplastics.com