

FLO-PRO II ABOVE GROUND SKIMMERS INSTALLATION INSTRUCTIONS

SAVE THESE INSTRUCTIONS • Read all instructions prior to assembly

IMPORTANT: Average water level should be approximately at middle of faceplate. Install accordingly.

INSTALLATION FOR ABOVE GROUND METAL POOLS WITH FACTORY PRE-CUT:

1. Install vinyl liner in assembled pool.
2. Position Gasket (#5, 711-0060) through square hole in Pool Wall.
3. Position Mounting Plate (#3, 519-3180). Weir Door Pivot Pins should be positioned on bottom as illustrated. Pool wall should be secured between gaskets. Using two (2) screws (#4, 819-0006) one in each top corner of mounting Plate, line up through liner, gasket, and wall, then attach to body on outside of pool. Leave screws loose until all screws have been aligned and fastened to body, then secure snugly. **DO NOT OVER-TIGHTEN.** Cut out vinyl liner along inside edges of Mounting Plate opening.
4. To insert or remove basket, turn basket until basket lip clearance aligns with mounting tabs. Basket can either be accessed through the top lid or via front opening.
5. To affix hose to body, wrap Hose Adapter, #10, with 4 to 6 turns of Teflon tape (HINT: Apply tape in a clockwise rotation or the opposite direction that the threads run). Screw into threads on bottom of Skimmer body (Teflon tape not included).
6. To use Vacuum Plate (#9, 519-3150), remove lid and place vacuum plate directly on top of basket. System suction will hold in place.

FOR FLO-PRO WIDE MOUTH:

7. Pool Wall should be secured between Gaskets (#12, 711-0070).
8. Substitute Wide Mouth Mounting Plate (#13, 519-4110) for Mounting Plate (#3, 519-3180) when securing to skimmer body.

INSTALLATION FOR DELUXE WALL RETURN

WITH EYEBALL: (ONLY FOR MODELS 560-CXCXXX, 560-DXCXXX)

1. Slide the rubber gasket (#2, 711-4350) onto the threads of the wallfitting (215-9170). The rubber gasket must be placed between

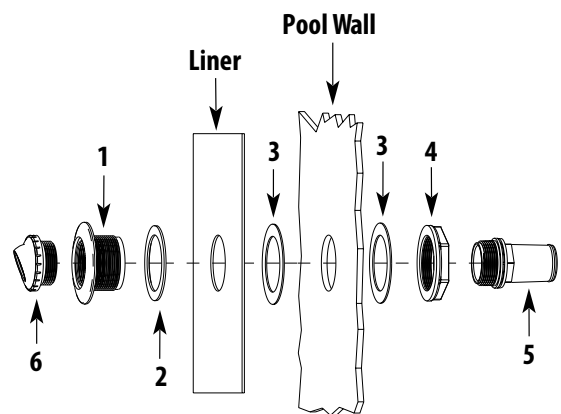
the wallfitting flange and liner.

2. Pierce a hole in the liner large enough to slide the wallfitting through the liner. Push the wallfitting (215-9170) through the liner. Slide the paper gasket (806-1050) onto the threads of the wallfitting between the liner and the pool wall (you will need to slightly bend the paper gasket to fit between the pool wall and gasket).
3. Slide wall fitting complete through the hole and put on second paper gasket, #3, then thread on nut (#4, 718-3150) until snug. **DO NOT OVER-TIGHTEN.**
4. To install return Hose to Hose Adapter (#5, 417-6140) follow the directions in #5 under the skimmer installation section and then thread the adapter into the back of the Wallfitting as shown in the detail below.

WINTERIZING:

For Winterizing, use optional Winterizing Kit, P/N 500-3020.

Item	Part No.	Description
1	215-9170	Wallfitting - 1½" FPT Thru x 2" NPSM
2	711-4350	Gasket - Rubber
3	806-1050	Gasket - Paper
4	718-3150	Nut - Suction Strip Skimmer Vent - White
5	417-6140	1½" MPT x 1½" Hose - Male Smooth Adapter
6	400-1410E	Eyeball Fitting - 1" Eyeball - 1½" MPT Assembly



WARRANTY

For product registration visit: www.waterwayplastics.com.

For Warranty questions or claims please contact point of purchase.



2200 East Sturgis Road, Oxnard CA 93030 • Phone 805.981.0262 • Fax 805.981.9403

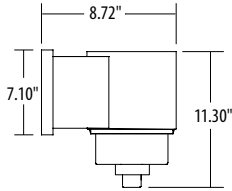
www.waterwayplastics.com • waterway@waterwayplastics.com

FLO-PRO II STANDARD MOUTH

SHORT THROAT



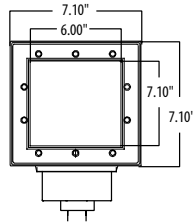
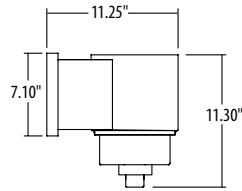
560-C0A60S



LONG THROAT



560-D0A60S



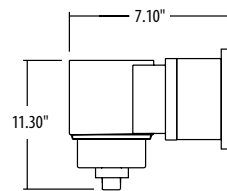
FRONT

FLO-PRO II WIDE MOUTH

SHORT THROAT



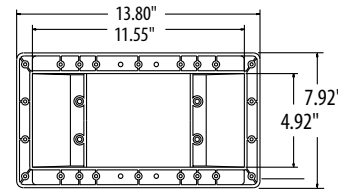
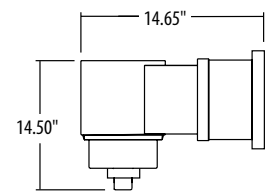
560-D3A60L



LONG THROAT

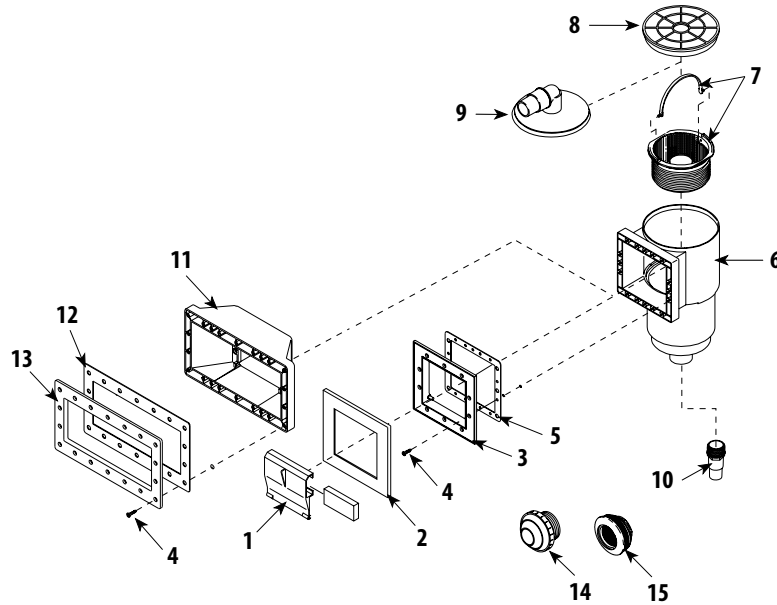


560-C3A60L



FRONT

FLO-PRO II ABOVE GROUND SKIMMER REPLACEMENT PARTS



Item	Part No.	Description
1	542-3060	Weir Door with Foam - White
	542-3067	Weir Door with Foam - Gray
2	519-3090	Trim Plate - ABS - White (optional)
	519-3097	Trim Plate - ABS - Gray (optional)
3	519-3180	Mounting Plate - Front Access - White
	519-3187	Mounting Plate - Front Access - Gray
4	819-0006	Screw - #12 x 1 1/4" PFH 18-8 Sms (10 for Standard - 18 for Wide Mouth)
5	711-0060	Wall Protection Gasket - Weir Body
6	N/A	Body
7	550-1030	Basket - Assembly
8	519-3030	Lid - Front Access - White
9	519-3150	Vacuum Plate - Front Access with 90° Elbow
10	417-6140	Hose Adapter - 1 1/2" MPT x 1 1/2" Hose
11	N/A	Body - Wide Mouth - White
	N/A	Body - Wide Mouth - Gray
12	711-0070	Wall Protection Gasket - Wide Mouth
13	519-4110	Mounting Plate - Wide Mouth - White
	519-4117	Mounting Plate - Wide Mouth - Gray
14	400-1410E	Eyeball Fitting - 1" Eye - White
	400-1417E	Eyeball Fitting - 1" Eye - Gray
15	400-9170	Wall Fitting with Locknut and Gaskets - White
	500-3020	Winterizing Kit (optional)
	810-0111	Instruction Sheet