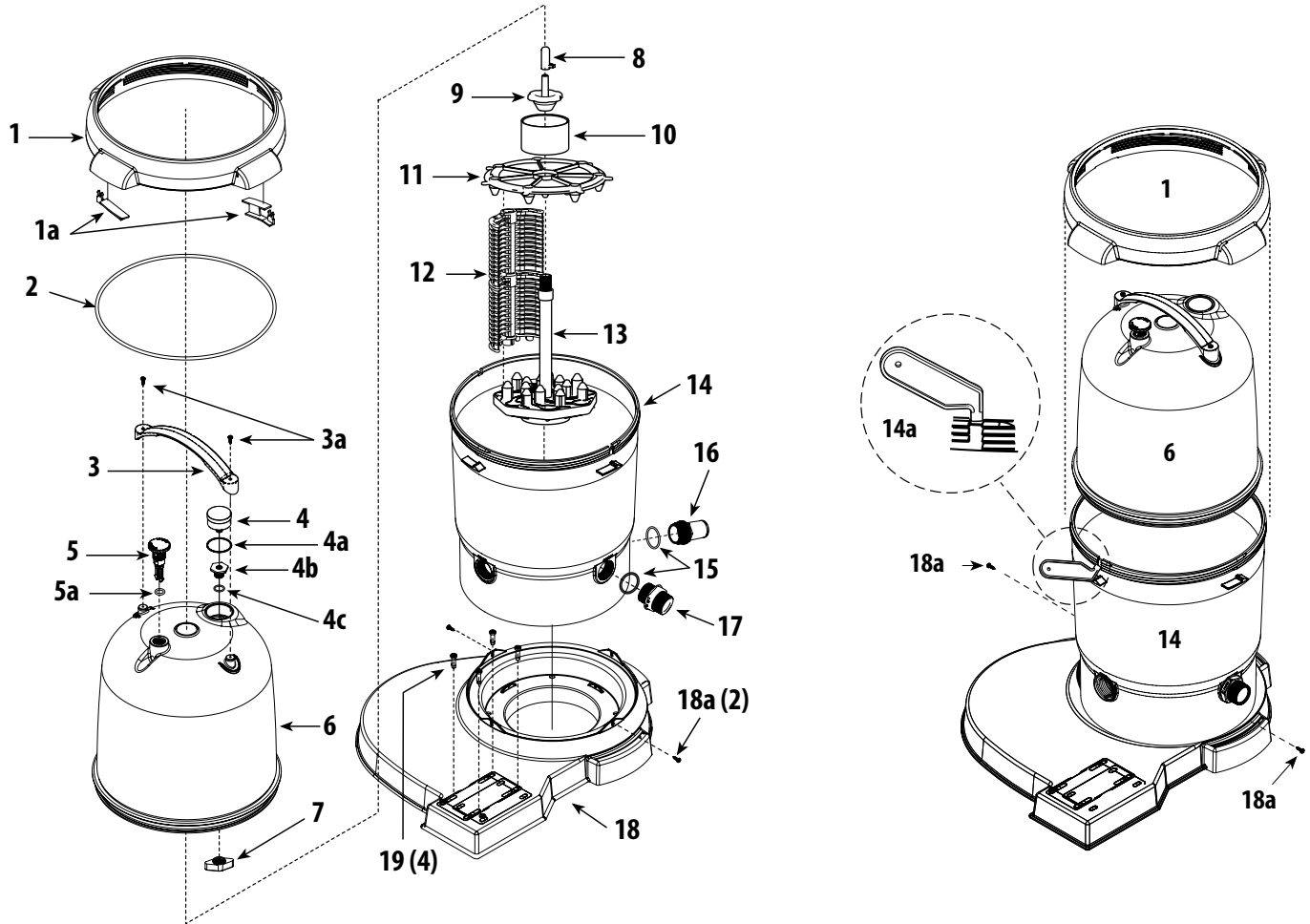


CLEARWATER II D.E. FILTER INSTRUCTIONS



CLEARWATER II D.E. FILTER REPLACEMENT PARTS

Item	Part No.	Description	Item	Part No.	Description
1	718-7251	Filter Locknut Assembly	10	419-7241	Plug - 2 x 1 1/2 MPT
1a	519-7451	Handle Assembly (2)	11	519-7269	Locator - Top Grids - D.E.
2	805-0460	Lid O-Ring	12	550-7210	Grids - 12 sq. ft. D.E. (7)
3	519-7601	Lid Handle		550-7220	Grids - 18 sq. ft. D.E. (7)
3a	819-9002	#12 x 3/4 S/S Phillips Head Screws	13	550-7100	Base Assembly - 12 sq. ft.
4	830-4000SS	Pressure Gauge		550-7120	Base Assembly - 18 sq. ft.
4a	805-0224	O-Ring - Air Relief	14	515-7251	Filter Body Bottom
4b	519-7430	Gauge - Fitting Adapter	14a	519-7470	Filter Wrench
4c	805-0117SD	O-Ring - Adapter	15	805-0224	O-Ring (2)
5	602-0200	Air Relief Plug	16	417-6241	1 1/2 MPT x 1 1/2 Male Smooth Hose Adapter
5a	805-0207	O-Ring - Air Relief	17	500-5300	Drain Assembly
6	519-7411	Lid Assembly (Small)	18	672-7401	ClearWater II Base
	519-7401	Lid Assembly (Large)	18a	819-0044	#10 x 1 S/S Phillips Head Screw (2)
7	519-7441	Wing-Nut	19	429-7221	Snap Pin (4)
8	500-7310	Screen/Sock Assembly			
9	718-7210	Tie Nut - D.E.			

INSTRUCTIONS

The Clearwater II D.E. Filter is ideal for new pools or as a replacement for existing pools. The filter tank is constructed of high-strength thermoplastic and reusable D.E. grids. The Clearwater II D.E. Filter will provide years of superior operation and crystal clear, sparkling water.

INSTALLATION INSTRUCTIONS

1. Place filter on a level, secure surface (concrete slab, patio block, etc.). Be sure to position the filter so that the instructions, warnings, and pressure gauge are visible to the operator. Place filter with the side marked "Inlet" facing the pump assembly. Also, position the filter so that the piping connections and drain port are convenient and accessible for servicing and winterizing. Provide sufficient clearance around filter to permit visual verification that all connections are properly installed. Provide sufficient space above filter to remove lid for cleaning and servicing. This distance will vary with the model of filter you are installing.
2. Make all plumbing connections in accordance with local plumbing and building codes.
3. Open air release knob. Plug in and turn on pump. Air will pass out of the filter through the air release knob. Once water discharges from knob, close it.

CLEANING INSTRUCTIONS

If the pressure gauge on your filter reads 5 PSI or higher than the original starting pressure, the filter needs to be cleaned. The ClearWater II D.E. Filter System features the exclusive 1-2-3 Safety Locking System to ensure safe and simple filter maintenance.

1. Turn off pump. **WARNING: Never attempt to clean filter while pump is running. This is a pressurized vessel. It could cause severe injury or harm to your person.** Plug skimmer and pool return lines or drain pool water level to below pool return line.
2. Slowly open the air release knob on top of filter until the pressure gauge reads "0". Open drain cap at bottom of filter and allow water to flow.
3. Press the yellow safety latch on the underside of the locking nut and turn the nut counterclockwise to remove the lid. Rinse the D.E. grid(s) with a garden hose. There is no need to remove the grid(s) from the filter.
4. Reassemble lid and follow start-up procedures from original instructions.

My Original Starting Pressure is _____ PSI (Pounds per Square Inch). I should clean the filter at _____ PSI.

WARRANTY

**For product registration visit: www.waterwayplastics.com.
For Warranty questions or claims please contact point of purchase.**



2200 East Sturgis Road, Oxnard CA 93030 • Phone 805.981.0262 • Fax 805.981.9403

www.waterwayplastics.com • waterway@waterwayplastics.com