

CLEARWATER II CARTRIDGE FILTER INSTRUCTIONS

CLEARWATER II™

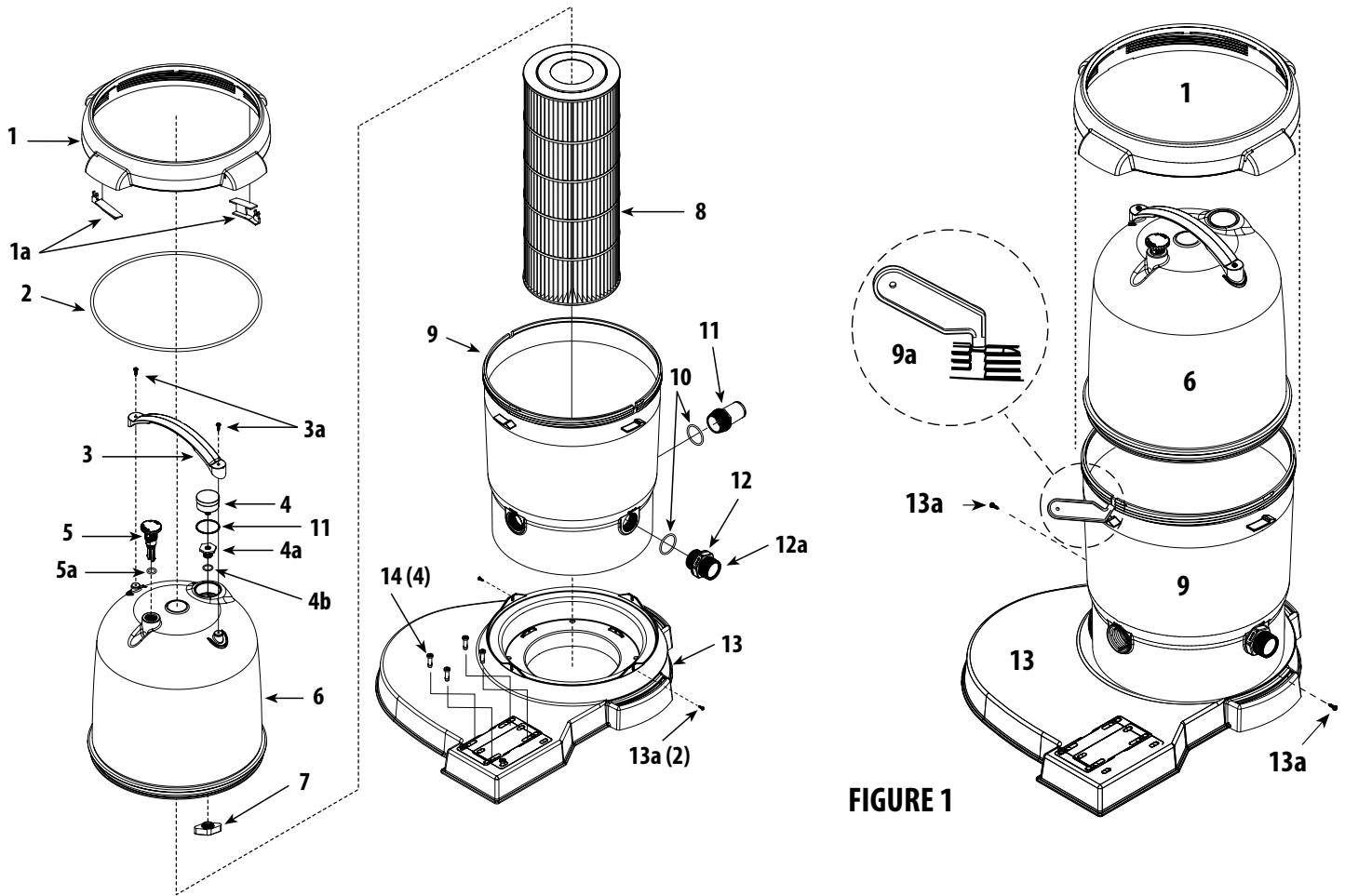


FIGURE 1

CLEARWATER II CARTRIDGE FILTER REPLACEMENT PARTS

| Item | Part No. | Description | Item | Part No. | Description |
|------|-------------------|---|------|------------------|--|
| 1 | 718-7251 | Filter Nut (<i>sold with Lid Assembly only</i>) | 8 | 817-0075P | Cartridge - 75 sq. ft. |
| 1a | 519-7451 | Handle Assembly (2) | | 817-0100P | Cartridge - 100 sq. ft. |
| 2 | 805-0460 | Lid O-Ring | | 817-0125N | Cartridge - 125 sq. ft. |
| 3 | 519-7601 | Lid Handle | | 817-0150N | Cartridge - 150 sq. ft. |
| 3a | 819-9002 | #12 x 3/4 S/S Phillips Head Screw | | 817-0200N | Cartridge - 200 sq. ft. |
| 4 | 830-4000SS | Pressure Gauge | 9 | 515-7251 | Body - Filter Bottom |
| 4a | 519-7431 | Pressure Gauge - Fitting Adapter | 9a | 519-7470 | Filter Wrench (see Figure 1) |
| 4b | 805-0117SD | O-Ring | 10 | 805-0224 | O-Ring |
| 5 | 602-0201 | Air Relief Plug | 11 | 417-6241 | 1 1/2 MPT x 1 1/2 Male Smooth Hose Adapter |
| 5a | 805-0207 | O-Ring - Air Relief | 12 | 500-5300 | Drain Assembly |
| 6 | 511-7321 | Lid Assembly - Small (75 & 100 sq. ft.) | 12a | 505-2030 | Drain Cap |
| | 511-7331 | Lid Assembly - Large (125, 150 & 200 sq. ft.) | 13 | 672-7401 | Clearwater II Base |
| 7 | 519-7441 | Wing Nut | 13a | 819-0004 | #10 x 1 S/S Phillips Head Screw |

INSTRUCTIONS

The Clearwater II Cartridge Filter is ideal for new pools or as a replacement for existing pools. The Filter Tank is constructed of high-strength thermoplastic and a reusable cartridge element. The Clearwater II Cartridge Filter will provide years of superior operation and crystal clear, sparkling water.

INSTALLATION INSTRUCTIONS

1. Place filter on a level, secure surface (concrete slab, patio block, optional, etc.) Be sure to position the filter so that the instructions, warnings and pressure gauge are visible to the operator. Place filter with the side marked "inlet" facing pump assembly. Also, position the filter so that the piping connections and drain port are convenient and accessible for servicing and winterizing. Provide sufficient clearance around filter to permit visual verification that all connections are properly installed. Provide sufficient space above filter to remove lid for cleaning and servicing. This distance will vary with the model of filter you are installing.
2. Make all plumbing connections in accordance with local plumbing and building codes.
3. Open air release knob. Plug in and turn on pump. Air will pass out of the filter through the air release knob. Once water discharges from knob, close it.

CLEANING INSTRUCTIONS

If the pressure gauge on your filter reads 5 PSI or higher than the original starting pressure, the filter needs to be cleaned. The Clearwater II Cartridge Filter System features the exclusive 1-2-3 Safety Locking System to ensure safe and simple filter maintenance.

1. Turn off pump. **WARNING: Never attempt to clean filter while pump is running. This is a pressurized vessel. It could cause severe injury or harm to your person.** Plug skimmer and pool return lines or drain pool water level to below pool return line.
2. Slowly open the air release knob on top of filter until the pressure gauge reads "0". Open drain cap at bottom of filter and allow water to flow.
3. Press the yellow safety latch on the underside of the locking nut and turn the nut counterclockwise to remove the lid. Rinse the cartridge element with a garden hose. There is no need to remove the element from the filter.
4. Reassemble lid and follow start-up procedures from original instructions.

My Original Starting Pressure is _____ PSI (Pounds per Square Inch). I should clean the filter at _____ PSI.

WARRANTY

**For product registration visit: www.waterwayplastics.com.
For Warranty questions or claims please contact point of purchase.**



2200 East Sturgis Road, Oxnard CA 93030 • Phone 805.981.0262 • Fax 805.981.9403

www.waterwayplastics.com • waterway@waterwayplastics.com