

FRONT ACCESS SKIM FILTER & SKIMMER INSTALLATION INSTRUCTIONS

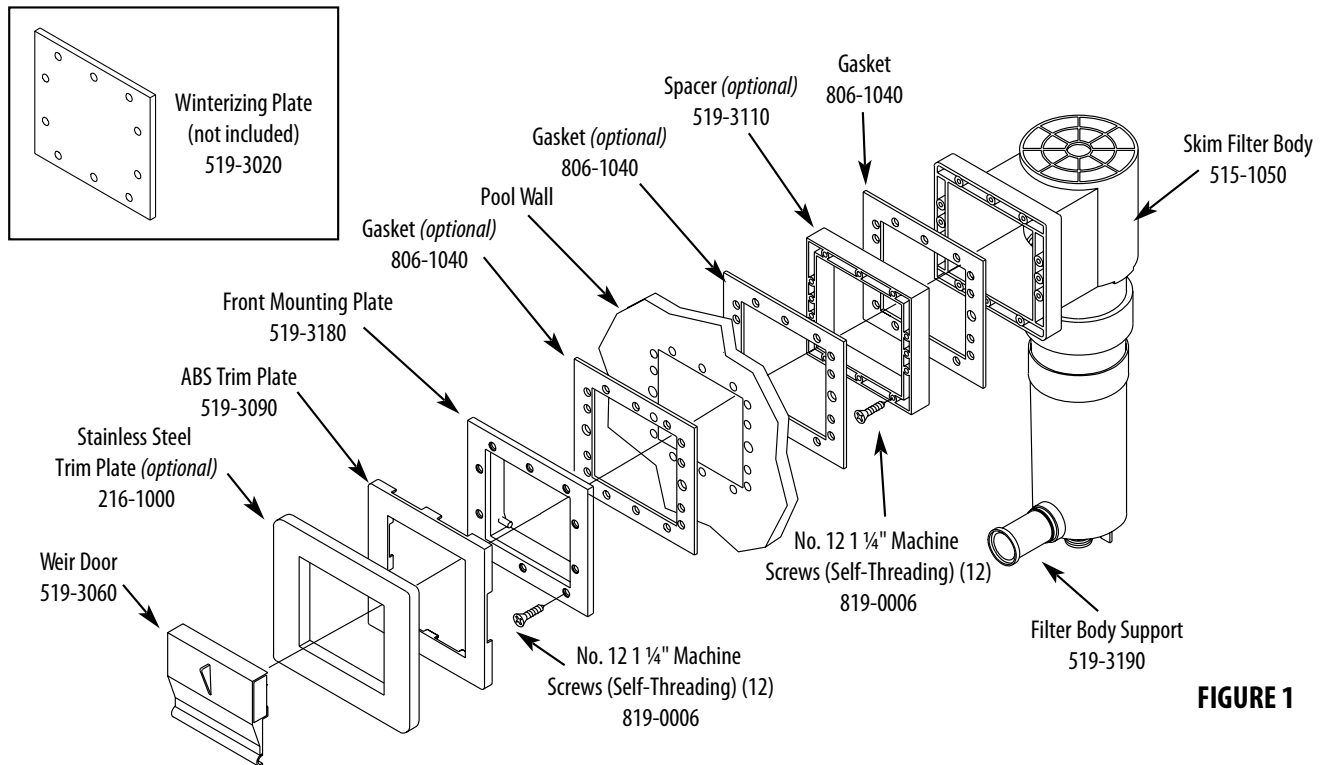


FIGURE 1

NOTE: Model Shown here is a Skim Filter. Installation instructions are identical for any size of Skim Filter or Skimmer. To insure the correct installation, please take the time to read the instructions.

1. Find a flat surface, at least 8" x 8", along the pool wall where at least 4" of the Skim Filter/Skimmer Lid is not in an accessible area.
2. Using a jig saw, cut a hole through the wall 6" wide x 5 1/2" high so that the back of the Front Mounting Plate will fit through the wall.
3. Using the Front Mounting Plate as a template, indicate the 10 holes using a marker, then drill holes using a 1/4" drill bit (make sure the drill is held perpendicular to the wall).
4. Apply silicone to all mounting surfaces and gaskets, if desired.
5. After installing vinyl, hold Skim Filter/Skimmer in place and insert (2) screws through pool wall into center right and left sides. Then place the Front Mounting Plate on the wall.
6. Screw the remaining (10) self-threading No. 12 machine screws through the front plate, if desired. Make sure not to over tighten.

7. Clean off excess silicone if used.
8. Use either an ABS Trim Plate or a Stainless Steel Trim Plate, if desired. ABS Trim Plates snap over the mounting plate; Stainless Steel Trim Plates have a self-adhesive backing.

WINTERIZING

1. Drain the pool approximately 2" below the Skim Filter/Skimmer opening. Remove and store the Basket and Weir indoors.
2. Disconnect all hoses from the Skim Filter/Skimmer to ensure that all water is kept free from the Skim Filter/Skimmer bodies. This helps prevent formation of ice inside, which will crack the Skim Filter/Skimmer Bodies. Warranty does not include ice formation damage.
3. The Winterizing Plate (not included) screws securely in place, using the same (10) No. 12 self-threading machine screws provided with the assembly.

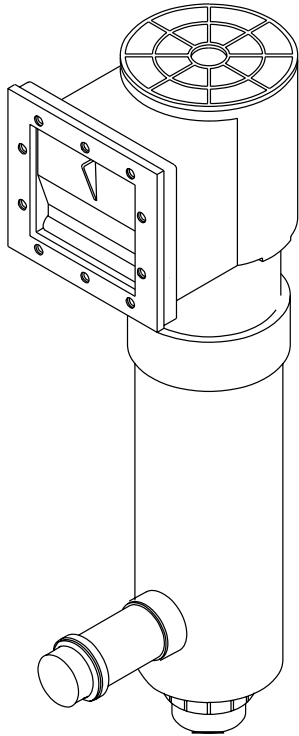


Waterway™

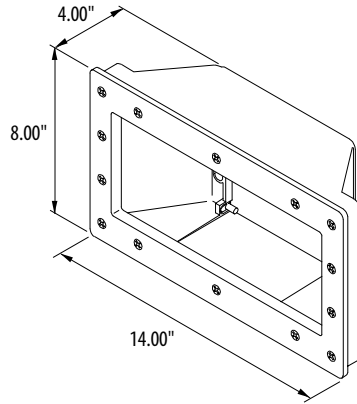
2200 East Sturgis Road, Oxnard CA 93030 • Phone 805.981.0262 • Fax 805.981.9403

www.waterwayplastics.com • waterway@waterwayplastics.com

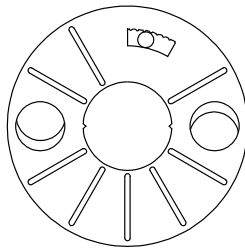
FRONT ACCESS SKIM FILTER & SKIMMER REPLACEMENT PARTS



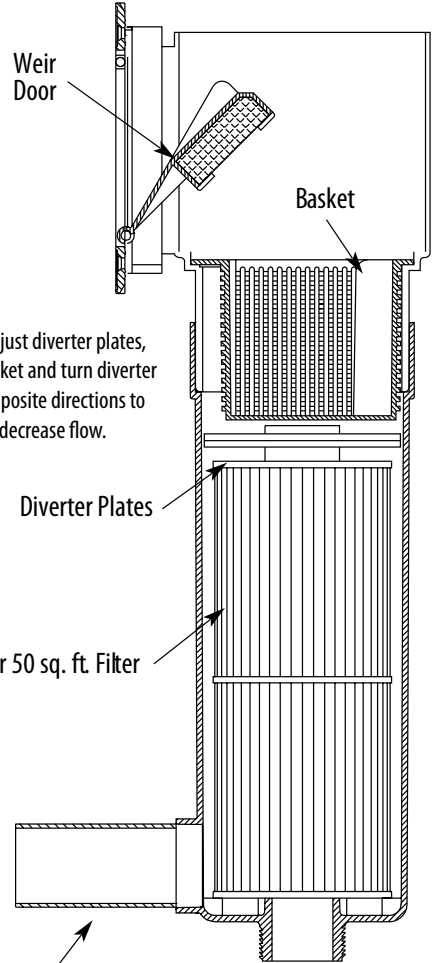
SKIM FILTER
510-2010 - 25 sq. ft.
510-2030 - 50 sq. ft.



WIDE MOUTH KIT
550-4100



DIVERTER ADJUSTMENT PLATES



NOTE: To adjust diverter plates, remove basket and turn diverter plates in opposite directions to increase or decrease flow.

FIGURE 2
SKIM FILTER SIDE VIEW

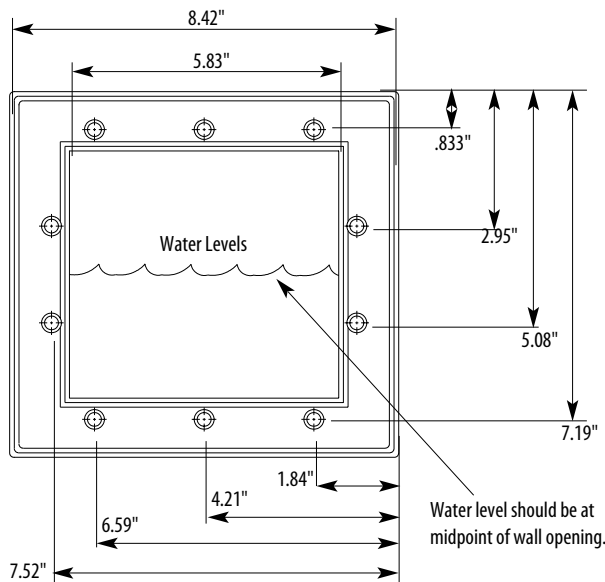
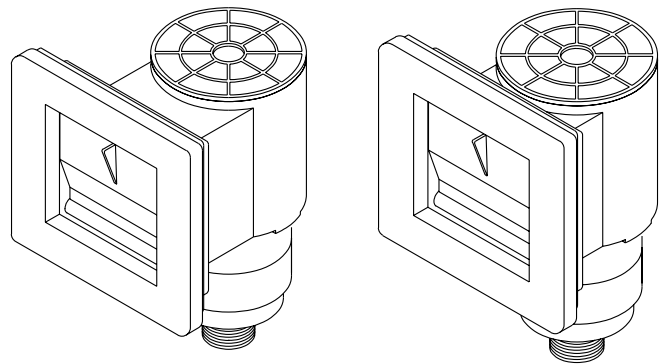


FIGURE 3
HOLE PATTERN DIMENSIONS



SKIMMERS
510-1020S - Short Throat
510-2070S - Long Throat

WARRANTY

For product registration visit: www.waterwayplastics.com.
For Warranty questions or claims please contact point of purchase.