

MINI GUNITE JET INSTALLATION INSTRUCTIONS

For Part Numbers: 210-3400 • 210-3600

INSTALLATION PROCEDURES AND PRESSURE TESTING

1. Drill holes in jet body #1 as shown in Figure 1. Then run ties through holes in jet body and attach body to rebar.
2. Estimate needed length of 1" and 2" PVC pipe by thickness of pool wall. Cut both 1" and 2" PVC pipe the same length and at least 4" longer than length estimated. Then glue 2" PVC pipe #2 to jet body #1.
3. After pool plastering, cut the 2" PVC pipe #2 flush with wall and glue wallfitting #3 to interior of pipe #2.
4. Glue #4 to one end of #5. For pressure testing, plug the other end with a 1" cap. With pieces #4 and #5 glued in place, insert into the jet body #1 and tighten clockwise. Pressure testing can now be done.
5. After pressure testing the system, make a mark on the 1" pipe #5 flush with wall. Remove testing assembly and measure back 1 3/4" from mark and cut. Glue nozzle #6 to 1" pipe #5 to complete Assembly B.
6. Insert Assembly B through Assembly A and screw in with a 5/8" socket, or cut a slot in a piece of 1" PVC the width of the tabs on #6.
7. Screw wallfitting #7 into #3.
8. With CAUTION insert your choice of jet (directional, whirly, or pulsator) into #7, making sure legs of jet do not get forced against

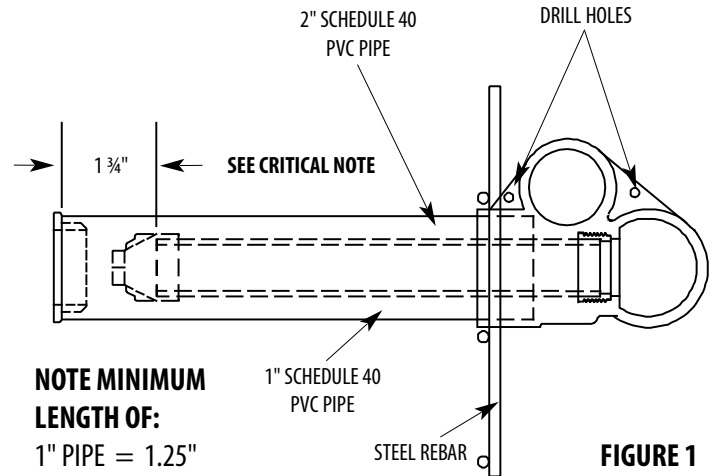


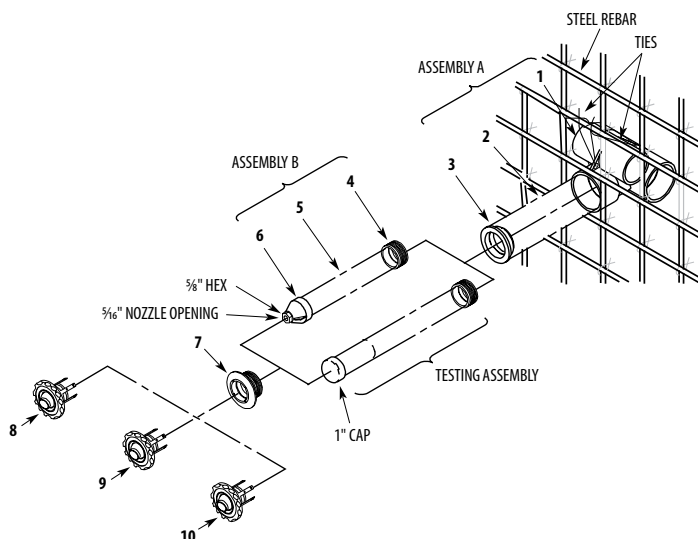
FIGURE 1

NOTE MINIMUM LENGTH OF:

- 1" PIPE = 1.25"
- 2" PIPE = 1.30"

the tabs on the nozzle #6. The legs on the jet insert may be damaged if forced in.

CRITICAL NOTE: The distance from the end of the 2" pipe and 1" pipe must be 1 3/4" as shown in Figure 1. Any other distance will result in jet malfunction. Jet will either not aspirate or jet insert can be ejected.



Item	Part No.	Description
1.	211-3050	Gunite Jet Body
2.	--	2" Schedule 40 PVC Pipe (<i>not supplied</i>)
3.	215-1060	Gunite Wallfitting
4.	219-1060	Retainer Ring
5.	--	1" Schedule 40 PVC Pipe (<i>not supplied</i>)
6.	217-1060	Nozzle
7.	215-1050	Eyeball Wallfitting
8.	224-1000G	Eyeball Internal - Directional
9.	224-1040G	Eyeball Internal - Whirly
10.	224-1020G	Eyeball Internal - Pulsator



2200 East Sturgis Road, Oxnard CA 93030 • Phone 805.981.0262 • Fax 805.981.9403

www.waterwayplastics.com • waterway@waterwayplastics.com

MINI GUNITE JET INTERNALS



WHIRLY

10 GPM

224-1020G - White

224-1021G - Black

224-1027G - Gray



PULSATOR

10 GPM

224-1040G - White

224-1041G - Black

224-1047G - Gray



DIRECTIONAL

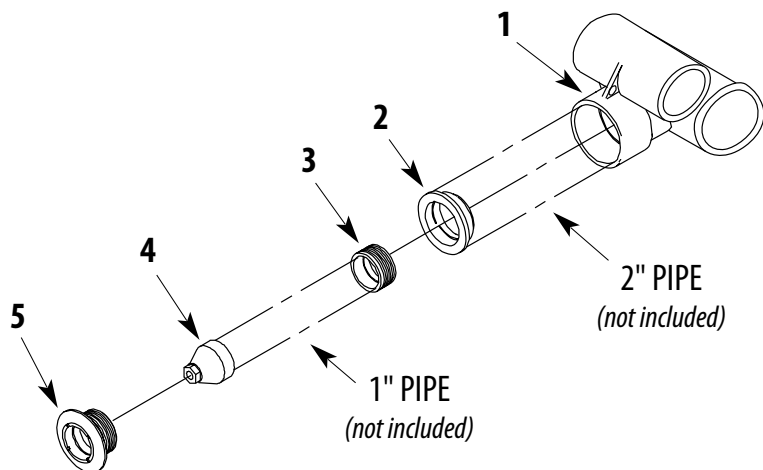
10 GPM

224-1000G - White

224-1001G - Black

224-1007G - Gray

MINI GUNITE JET ASSEMBLY REPLACEMENT PARTS



Item	Part No.	Description
1	211-3050	Body
2	215-1060	Gunite Wallfitting
3	219-1060	Retention Threads
4	217-1060	Nozzle
5	215-1050	Eyeball Wall Fitting

WARRANTY

For product registration visit: www.waterwayplastics.com.

For Warranty questions or claims please contact point of purchase.



Designed,
Engineered &
Manufactured
in the USA.

Waterway™

2200 East Sturgis Road, Oxnard CA 93030 • Phone 805.981.0262 • Fax 805.981.9403

www.waterwayplastics.com • waterway@waterwayplastics.com