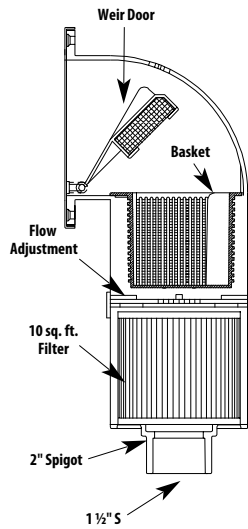
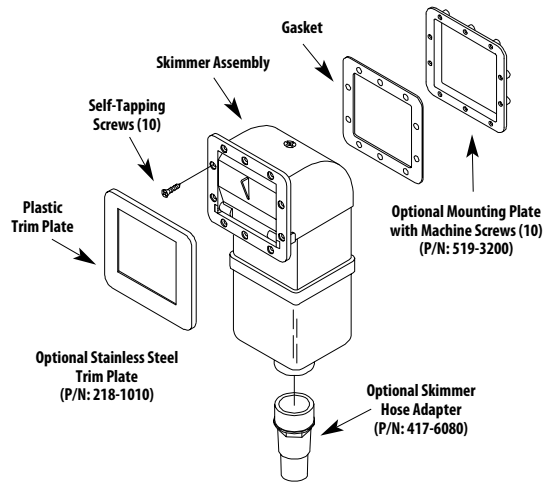
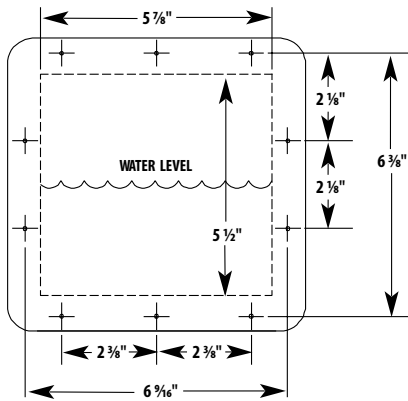


10 SQ. FT. SPA SKIM FILTER INSTALLATION INSTRUCTIONS

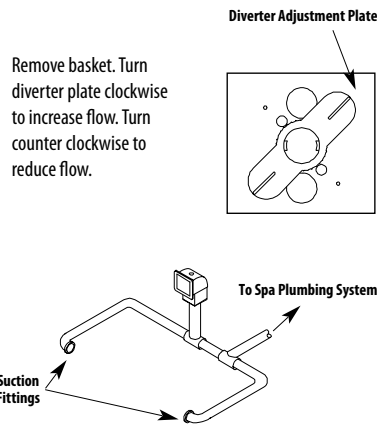


HOLE PATTERN DIMENSIONS HOLE PATTERN FOR MOUNTING SPA SKIMMER

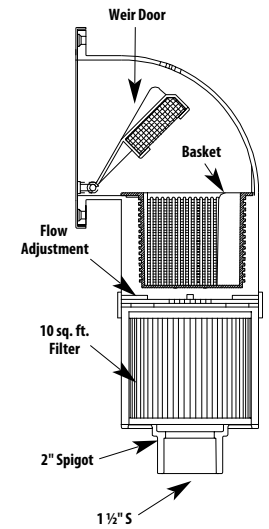
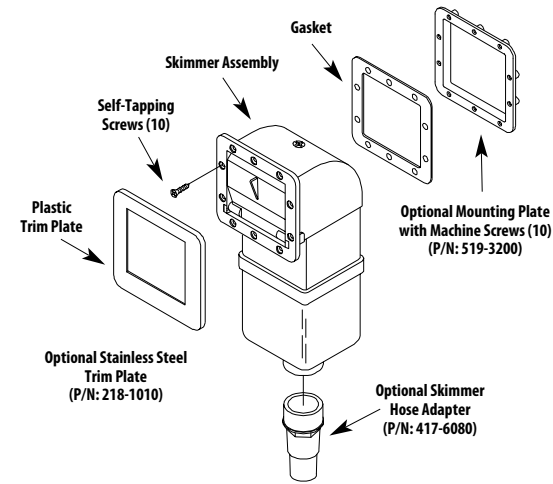


Water level should be at mid-point of wall opening.

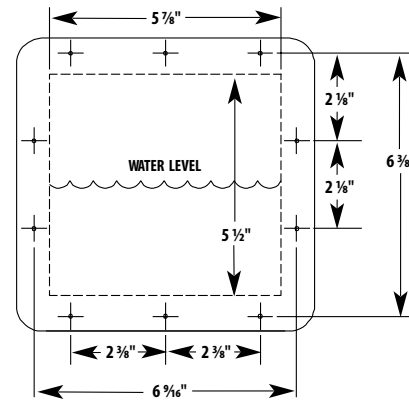
FLOW ADJUSTMENT



10 SQ. FT. SPA SKIM FILTER INSTALLATION INSTRUCTIONS

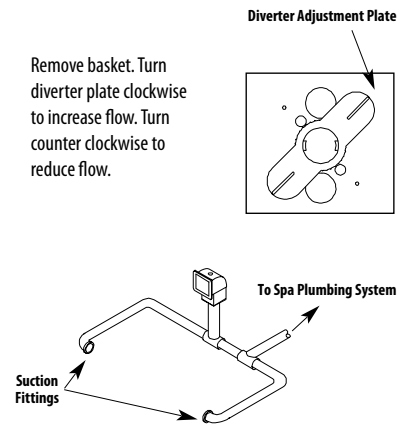


HOLE PATTERN DIMENSIONS HOLE PATTERN FOR MOUNTING SPA SKIMMER



Water level should be at mid-point of wall opening.

FLOW ADJUSTMENT



WARRANTY

For product registration visit: www.waterwayplastics.com.
For Warranty questions or claims please contact point of purchase.



Waterway

2200 East Sturgis Road, Oxnard CA 93030
Phone 805.981.0262 • Fax 805.981.9403

www.waterwayplastics.com • waterway@waterwayplastics.com

WARRANTY

For product registration visit: www.waterwayplastics.com.
For Warranty questions or claims please contact point of purchase.



Waterway

2200 East Sturgis Road, Oxnard CA 93030
Phone 805.981.0262 • Fax 805.981.9403

www.waterwayplastics.com • waterway@waterwayplastics.com